

Product	AMD	Models	MS300 MH300	Security Classification	<input checked="" type="checkbox"/> General <input type="checkbox"/> Confidential <input type="checkbox"/> Top-secret
				ECN No.	116A-198059
Publish Division	Product Management Section	Publisher	Pohan. Liao	Issue No.	116A-FE-MSx-20131-E-01-01
				Released Date	2020/01/31
Receiving Div.	Sales / Product managers of TW, DGC, DPR, DGB, DMX, DEN, DIN, DESG, DE, DEK				

Purpose:

MS300, MH300 series option card packaging content adjustment, optimizing price to enhance product competitiveness.

Content:

I. Add / Change Description

II. Option card selection

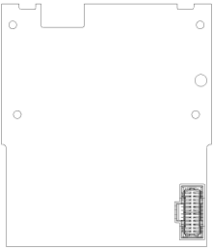
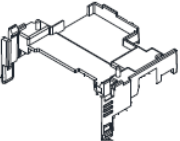

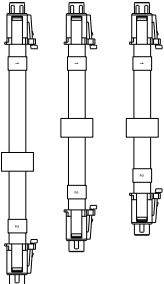
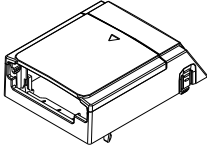

I. Add / Change Description

Change the contents of MS300 / MH300 option card package

The original option card materials are describe as follows:

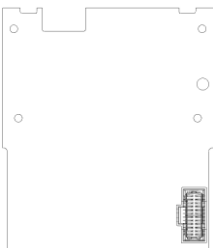
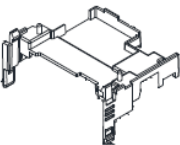

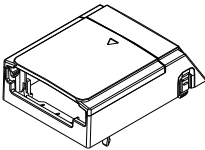

The three connecting wires included in the package, customer chooses one according to the size of drive. Therefore, two extra wires is useless and causes waste. Option card mounting which is according to the customer's installation requirements is useless as well.

Contents of the original option card product packaging:

Option card	Support Frame	Ground terminal	Communication cable	Option card package	Screw
					

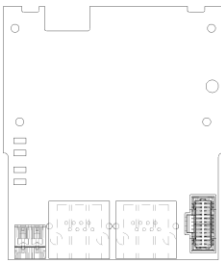
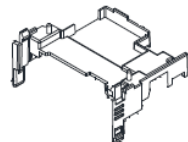

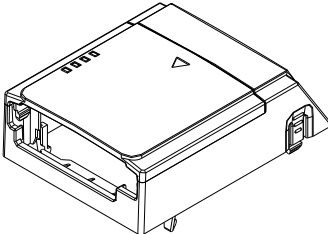

After the revision, option card package's number upgrade to version 02 (above this version, the cable and option card package need to purchase separately).

The contents of the package after the change are describe below:

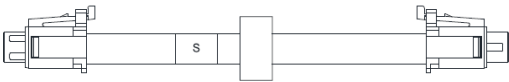
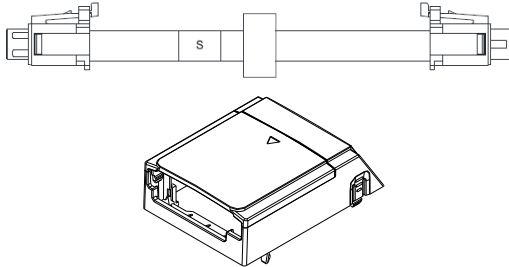
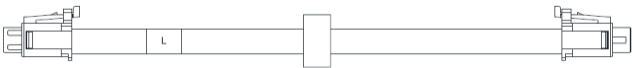
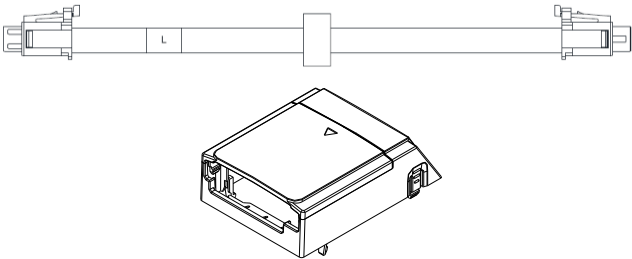
Option card	Support Frame	Ground terminal	Option card package	Screw
				

After the revision, option card does not come with a connection cable and option card mounting box **, which can be purchased by the customer together with option card if required.

(** EtherCAT option card will come with option card mounting box, but no connection cable)

EtherCAT option card	Support Frame	Ground terminal	Option card package	Screw
				

For line model name:

Model name	Package content	Description
<p>CBM-CL01A</p>		<p>Option card is directly installed inside the drive and used in Frame A / B models</p>
<p>CBM-CC01A</p> <p>(The wire is the same as CBM-CL01A, but the part number comes with option card mounting box)</p>		<p>Use option card package (this installation method will increase the depth of the whole machine), used in Frame A models</p>
<p>CBM-CL02A</p>		<p>Option card is directly installed inside the drive and used in Frame C / D / E / F models</p>
<p>CBM-CC02A</p> <p>(The wire is the same as CBM-CC02A, but the part number comes with option card mounting box)</p>		<p>Use option card package (this installation method will increase the depth of the whole machine), used on Frame B / C / D models</p>

II. Option card selection

Option card selection is describe as follows:

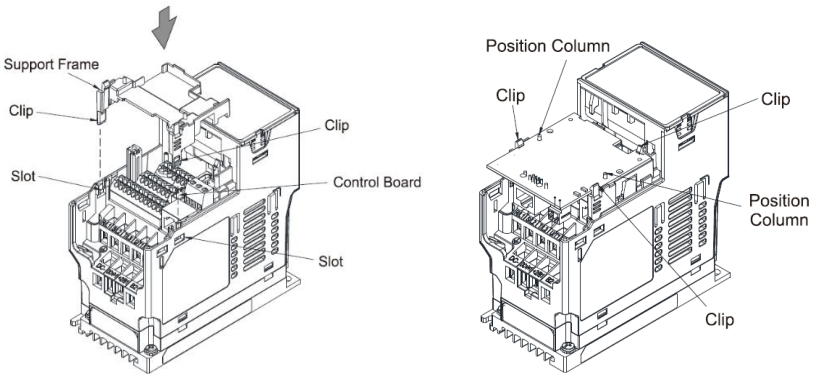
Step 1: Select installation location of option card: Install the drive and option card package

Step 2: Confirm the frame number of the type of option card be installed: Frame A ~ Frame F

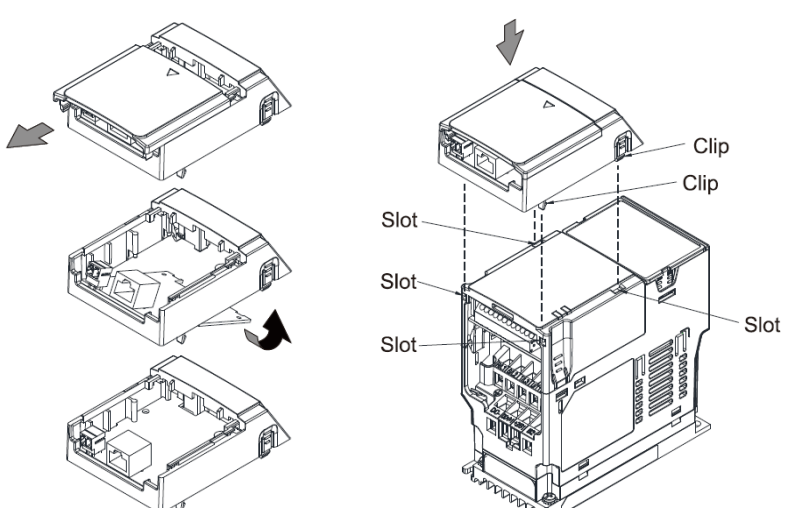
Step 3: Corresponding cable model with option card: CBM-CL01A, CBM-CL02A, CBM-CC01A, CBM-CC02A

Step 4: Option card selection is completed

- Option card is installed inside drive

Step 1	Install option	Installed inside drive (option card is face down, without increasing depth)					
	Installation diagram						
Step 2	Confirm frame of option card	Frame A	Frame B	Frame C	Frame D	Frame E	Frame F
Step 3	Corresponding cable model with option card	CBM-CL01A			CBM-CL02A		
Step 4	Finish	Voltage	Model name		Frame	Option card with cable	
		110V/1φ	VFD1A6MS11□NSAA VFD2A5MS11□NSAA		A	CMM-□□□02 + CBM-CL01A	
			VFD4A8MS11□NSAA		C	CMM-□□□02 + CBM-CL02A	
		230V/1φ	VFD1A6MS21□□SAA VFD2A8MS21□□SAA VFD4A8MS21□□SAA		A/B	CMM-□□□02 + CBM-CL01A	
			VFD□□MS21□□S□A		C/D/E/F	CMM-□□□02 + CBM-CL02A	
		230V/3φ	VFD1A6MS23□NSAA VFD2A8MS23□NSAA VFD4A8MS23□NSAA VFD7A5MS23□NS□A		A/B	CMM-□□□02 + CBM-CL01A	
			VFD□□MS23□NSAA		C/D/E/F	CMM-□□□02 + CBM-CL02A	
		460V/3φ	VFD1A5MS43□□SAA VFD2A7MS43□□SAA VFD4A2MS43□□S□A		A/B	CMM-□□□02 + CBM-CL01A	
VFD□□MS43□□SAA			C/D/E/F	CMM-□□□02 + CBM-CL02A			

- Option card with mounting box for option card

Step 1	Install option	Option card with mounting box for option card (Option card face up)			
	Installation diagram				
Step 2	Confirm frame of option card	Frame A	Frame B	Frame C	Frame D
Step 3	Corresponding cable model with option card	CBM-CC01A	CBM-CC02A		
Step 4	Finish	Voltage	Model name	Frame	Option card with cable
		110V/1φ	VFD1A6MS11□NSAA VFD2A5MS11□NSAA	A	CMM-□□□02 + CBM-CC01A
			VFD4A8MS11□NSAA	C	CMM-□□□02 + CBM-CC02A
		230V/1φ	VFD1A6MS21□NSAA VFD2A8MS21□NSAA	A	CMM-□□□02 + CBM-CC01A
			VFD□□□MS21□□S□A	B/C/D	CMM-□□□02 + CBM-CC02A
		230V/3φ	VFD1A6MS23□NSAA VFD2A8MS23□NSAA	A	CMM-□□□02 + CBM-CC01A
			VFD□□□MS23□NSAA	B/C/D	CMM-□□□02 + CBM-CC02A
		460V/3φ	VFD1A5MS43□□SAA VFD2A7MS43□□SAA	A	CMM-□□□02 + CBM-CC01A
VFD□□□MS43□□SAA	B/C/D		CMM-□□□02 + CBM-CC02A		

Note:

CMM-□□□02 Among □□□ symbol represent:

COP: CANopen

PD: PROFIBUS DP

DN: DeviceNet

EIP: EtherNet/IP & Modbus TCP

EC: EtherCAT

Firmware version & Switching Period:

Switching Period	
Wujiang	TBD