



OMNIAPLUS Series

Interlocked socket for domestic use

> AVAILABLE VERSIONS

Socket	Description	Package/Bulk Pack	IP56			
			Without protection	Fuse 6.3x32	MCB	RCBO
	2P+E - 16A - 250V~	1/6	409.0403	409.1403	409.2403	409.3403
	2P+E - 16A - 250V~	1/6	409.0404	409.1404	409.2404	409.3404
	2P+E - 16A - 250V~	1/6	409.0405	409.1405	409.2405	409.3405
	2P+E - 16A - 250V~	1/6	409.0411	409.1411	409.2411	409.3411
Unshuttered	2P+E - 16A - 250V~	1/6	409.0412	409.1412	409.2412	409.3412
Shuttered	2P+E - 16A - 250V~	1/6	409.0407	409.1407	409.2407	409.3407
	2P+E - 10A - 250V~	1/6	409.0424	409.1424	409.2424 (*)	409.3424 (*)

(*) 10A, C10

Package/Bulk Pack

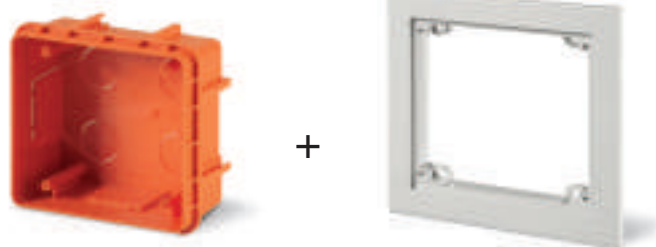
> ACCESSORIES

IP67
Wall mounting box



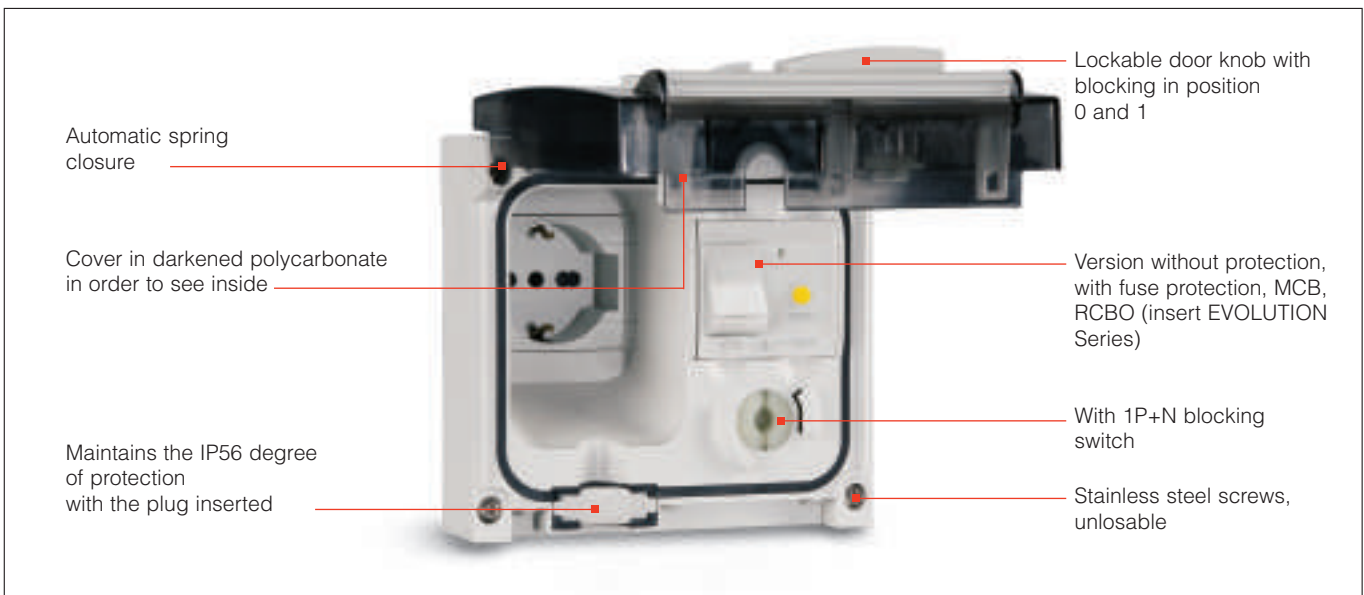
572.0310

IP55
Flush mounting box



572.0200

572.0220







OMNIAPLUS Series

> DOMESTIC INTERLOCKED SOCKET



> VERSIONS

	Without protection
	With fuse
	MCB
	RCBO

> REFERENCE STANDARDS



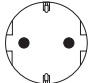



CEI 23-50
(Italian Standard)
Plugs and socket-outlets for household and similar purposes.
Part 1: General requirements.

IEC 60884-2-6
Plugs and socket-outlets for household and similar purposes.
Part 2-6: Particular requirements for switched socket-outlets with interlock for fixed electrical installations.

> TECHNICAL CHARACTERISTICS

Rated current:	10-16A
Rated voltage:	250 Vac
Frequency:	50 Hz
Insulating voltage:	250 Vac
Fuse:	10A - 250V~
MCB:	16A - 1P+N, C16, 3kA 10A - 1P+N, C10, 3kA
RCBO:	16A - 1P+N, C16, 10mA, 3kA 10A - 1P+N, C10, 10mA, 3kA
Protection degree:	IP56
Operating temperature according to the reference standard:	-15°C +35°C
Maximum operating temperature:	60°C
Glow Wire test:	650°C/750°C
Material:	Engineering plastic
IK Degree at 20 °C:	IK08
Colour:	Grey RAL 7035
Torque terminal screws:	1,3 Nm

> AVAILABLE STANDARDS

					
P30 Socket 2P+E 16 A 250V CEI 23-50 Italian Standard Shuttered socket	Pluristandard Socket 2P+E 16 A 250 V Shuttered socket	German Standard 2P+E 16 A 250 V VDE 0620 Shuttered / Unshuttered socket	French Standard 2P+E 16 A 250 V NCF 61-303 Shuttered socket	P17/11 Standard 2P+E 16 A 250 V CEI 23-50 Italian Standard Shuttered socket	Argentinian Standard 2P+E 10 A IRAM 2071 Unshuttered socket

> BEHAVIOUR WITH CHEMICAL AND ATMOSPHERIC AGENTS

Saline solution	Acids		Bases		Solvents				Mineral oil	UV rays
	Concentrated	Diluted	Concentrated	Diluted	Hexane	Benzol	Acetone	Alcohol		
Resistant	Limited Resistance	Resistant	Resistant	Resistant	Not Resistant	Not Resistant	Not Resistant	Limited Resistance	Resistant	Resistant

For specific substances please contact our technical service.

> APPLICATION EXAMPLES



MBOX Series



OMNIA Series

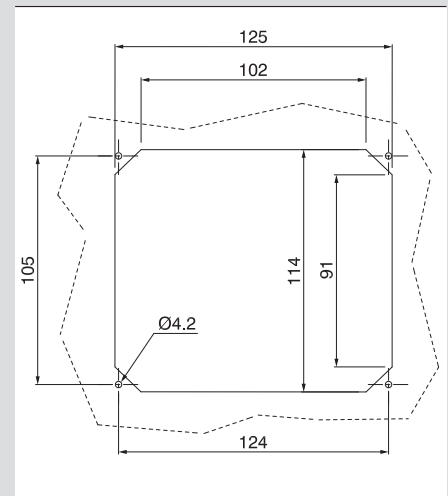
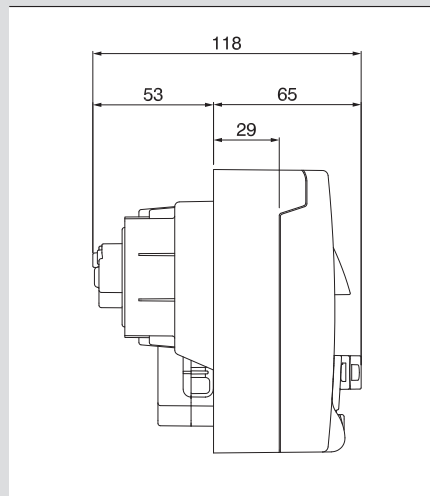
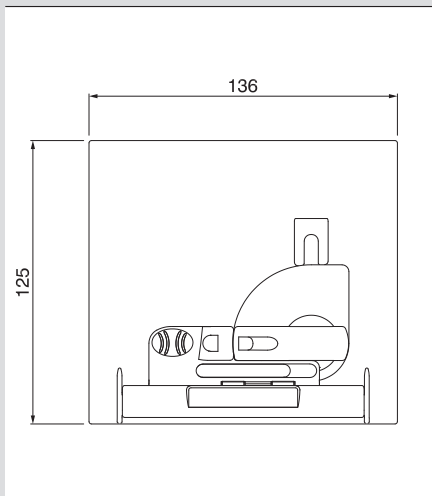


ADVANCE Series

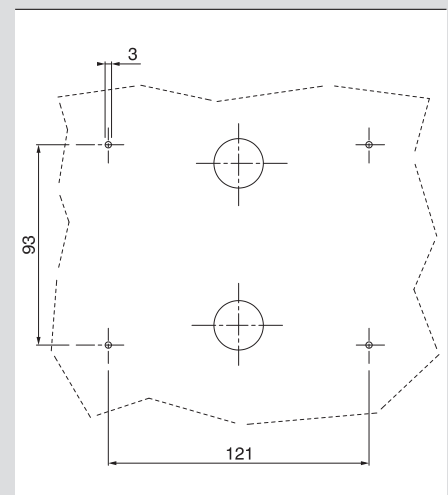
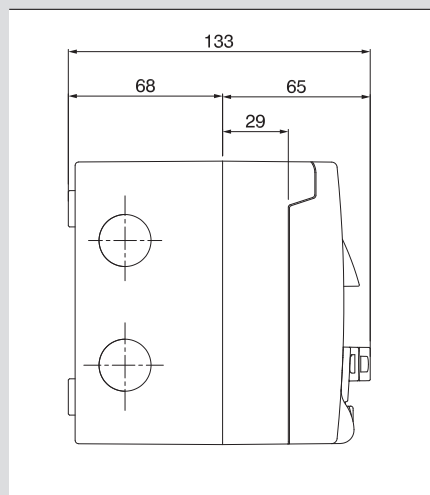
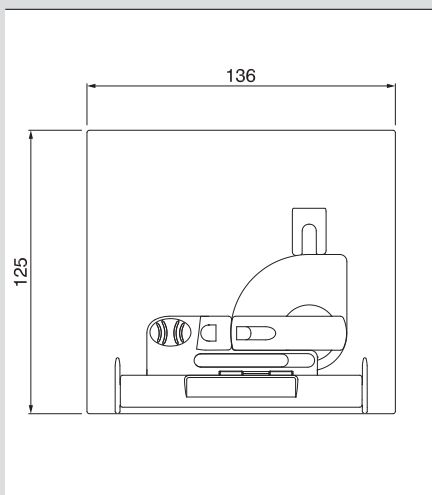


DOMINO Series

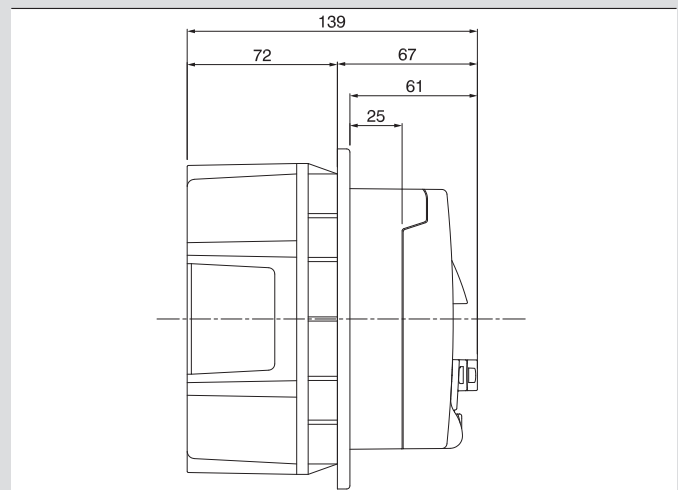
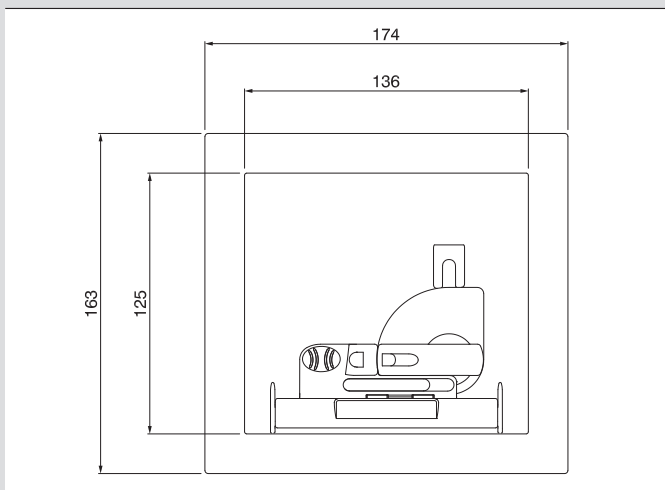
> DIMENSIONS



> WALL-MOUNTED



> FLUSH-MOUNTED



(Dimensions in mm)

ZP00740-GB-2
8 001636 409665



ScameOnLine
www.scame.com
export@scame.com



SCAME PARRE S.p.A.
VIA COSTA ERTA, 15
24020 PARRE (BG) ITALY
TEL. +39 035 705000
FAX +39 035 703122

