



## COMMAND Series

Switching-disconnectors units

**PDI**<sup>®</sup>  
Power Dynamics, Inc.









 **SCAME**  
electrical solutions

# COMMAND Series

## > ROTARY SWITCHES



## > VERSIONS

	Switching units - Front panel mounting - Box mounting
	Switching units with fuses carrier - Box mounting
	Front operators 67x67 - IP65 - Front panel mounting - Box mounting
	Front operators 48x48 - IP65 - Front panel mounting - Box mounting
	Front operators 48x48 - IP65 padlocable - Front panel mounting - Box mounting
	Front operators 70x87 - Front panel mounting
	Direct operators
	Controls for DIN rail slits

## > REFERENCE STANDARDS

### EN 60947-3

Low voltage switchgear and controlgear.  
*Part 3: switches disconnectors, switch-disconnectors  
and fuse-combination unit.*

### UL 508

Industrial control equipment.

## > QUALITY MARKS



For specific quality marks please contact our technical service.

## > TECHNICAL CHARACTERISTICS

Polarity:	<b>2P - 3P - 4P</b>
Rated current:	<b>16A - 32A - 40A - 63A - 80A - 100A</b>
Rated voltage:	<b>0÷690Vac - 0-600Vdc</b>
Frequency:	<b>50-60Hz</b>
Insulating voltage:	<b>690Vac - 400Vdc - 600Vdc</b>
Protection degree:	<b>IP65 (front operator)</b>
Operating temperature according to the reference standard:	<b>-25°C+40°C</b>
Max. operating temperature:	<b>60°C</b>
Glow Wire test:	<b>850°C</b>
Material:	<b>Engineering plastic</b>
Fuse:	<b>10,3x38</b>
DIN rail fixing:	<b>Yes</b>
Font panel fixing:	<b>Yes</b>
Connectable auxiliary contacts:	<b>Yes</b>

> BEHAVIOUR WITH CHEMICAL AND ATMOSPHERIC AGENTS

Saline solution	Acids		Bases		Solvents				Mineral oil	UV rays
	Concentrated	Diluted	Concentrated	Diluted	Hexane	Benzol	Acetone	Alcohol		
Resistant	Limited Resistance	Resistant	Resistant	Resistant	Not Resistant	Not Resistant	Not Resistant	Limited Resistance	Resistant	Resistant




For specific substances please contact our technical service.

> APPLICATION EXAMPLES



# Switching-disconnectors units

## > SWITCHING-DISCONNECTORS UNITS

Description	Thermal current I <sub>th</sub>	Power dissipation per pole/contact	□					
				Type R (*) Front panel mtg	Type B (**) Box mtg	Type B Box mtg with fuse carrier		
2P	30A	0,9W	1/6	☉ 590.YA162R	☉ 590.YA162B		☉ 590.YF162B	
16A	3P	30A	1/6	☉ 590.YA163R	☉ 590.YA163B		☉ 590.YF163B	
	4P	30A	1/6	☉ 590.YA164R	☉ 590.YA164B	590.YA1638.K1	☉ 590.YF164B	
2P	40A	1,6W	1/6	☉ 590.YA322R	☉ 590.YA322B		☉ 590.YF322B	
32A	3P	40A	1/6	☉ 590.YA323R	☉ 590.YA323B	590.YA3238.K1	☉ 590.YF323B	
	4P	40A	1/6	☉ 590.YA324R	☉ 590.YA324B	590.YA3248.K1	☉ 590.YF324B	
2P	40A	-	1/6	590.YA402R	590.YA402B			
40A	3P	40A	1/6	590.YA403R	590.YA403B			
	4P	40A	1/6	590.YA404R	590.YA404B			
2P	63A	-	1/6	☉ 590.YA632R	☉ 590.YA632B			
63A	3P	63A	1/6	☉ 590.YA633R	☉ 590.YA633B	590.YA6338.K1		
	4P	63A	1/6	☉ 590.YA634R	☉ 590.YA634B	590.YA6348.K1		
2P	86A	-	1/6	☉ 590.YA802R	☉ 590.YA802B			
80A	3P	86A	1/6	☉ 590.YA803R	☉ 590.YA803B	590.YA8038.K1		
	4P	86A	1/6	☉ 590.YA804R	☉ 590.YA804B	590.YA8048.K1		
3P	100A	-	1/6	590.YA1003R	590.YA1003B	590.YA10038.K1		
100A	4P	100A	1/6	590.YA1004R	590.YA1004B	590.YA10048.K1		

(\*) Suitable as spare part for the SCAME OMNIA Series interlocked-switch socket outlets.

(\*\*) Suitable as spare part for the SCAME ISOLATORS Series and ADVANCE 2 Series.

> SINGLE JUNCTION BOX



Description	Switch disconnectors	Type	Dimension (mm)		
Suitable for R (*)	16A, 32A, 40A	ADVANCE 2 Series	136x150x105	6	576.3390
Suitable for R	16A, 32A, 40A	OMNIA 2 Series	136x125x85	6	572.3390

- Box provided for fitting of switch disconnectors (switching units and relevant front operators standard mounting).

> DIRECT OPERATORS



Description	Switch disconnectors	Colour		
Suitable for B	16A, 32A, 40A	■	1/10	590.YMC1
switch disconnectors	63A, 80A, 100A	■	1/10	590.YMC2

> COMAND SWITCH FOR SWITCHBOARD SLOT



Rotary Switches	Colour		
16A, 32A, 40A	■	1/10	590.YMDIN


















R = Front panel mounting.  
B = Base mounting.

# Switching-disconnectors

## > FRONT OPERATORS - IP65

(●) 67x67mm



Description	Switch disconnectors	Knob	Front plate		Standard mtg	Ø22 mtg
Suitable for R	16A, 32A, 40A			1/10	590.YM67R1	590.YM68R1
				1/10	590.YM67R2	590.YM68R2
Suitable for B with door interlock	16A, 32A, 40A			1/10	590.YM67B1	590.YM68B1
				1/10	590.YM67B2	590.YM68B2
Suitable for R	63A, 80A 100A			1/10	590.YM67R6	
				1/10	590.YM67R7	
Suitable for B with door interlock	63A, 80A 100A			1/10	590.YM67B6	590.YM68B6
				1/10	590.YM67B7	590.YM68B7

R = Front panel mounting.

B = Base mounting (needs to be fitted extension bar).


(●) Can be padlocked (max 3 padlocks) in the "O" position (open).

- Extension bar not supplied.

- For general use and emergency switches.

## > AUXILIARY CONTACT

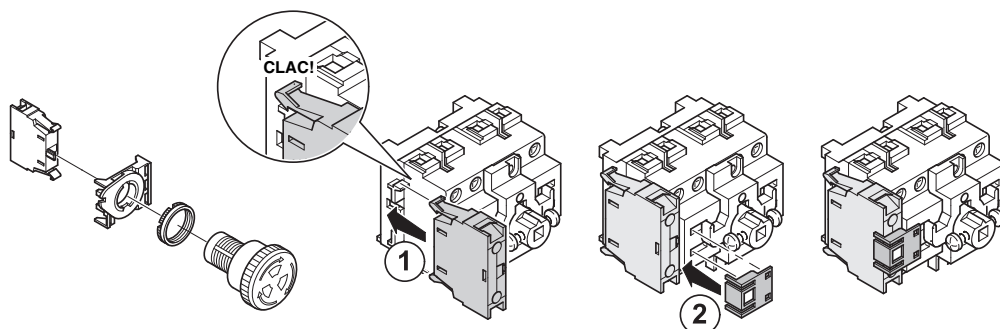


Description	Switch disconnectors		
NC contact	16A, 32A, 40A	10	590.PL004001
	63A, 80A	10	590.PL004003
NO contact	16A, 32A, 40A	10	590.PL004002
	63A, 80A	10	590.PL004004

NO= normally open.

NC= normally closed.

### 20A, 32A, 40A



48x48mm



(•) 48x48mm



(•) 70x87mm



48x48mm		(•) 48x48mm		(•) 70x87mm
Standard mtg	Ø22 mtg	Standard mtg	Ø22 mtg	Scame enclosures cut-outs
590.YM48R1	590.YM50R1	590.YM49R1	590.YM51R1	590.YM70R1
590.YM48R2	590.YM50R2	590.YM49R2	590.YM51R2	590.YM70R2
590.YM48B1	590.YM50B1	590.YM49B1	590.YM51B1	
590.YM48B2	590.YM50B2	590.YM49B2	590.YM51B2	
				590.YM70R6 (▲)
				590.YM70R7 (▲)

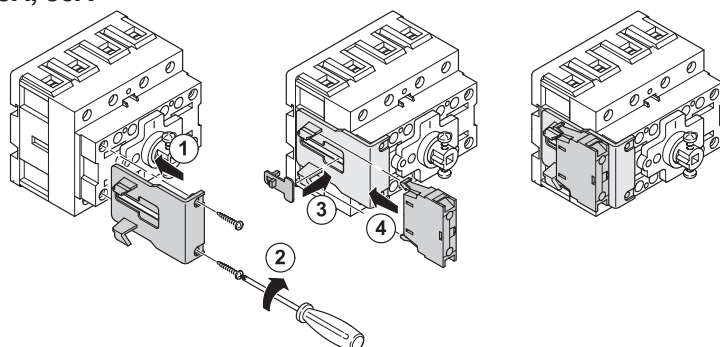
(▲) They can only be applied to slots that have clues for fastening ,encased sockets 32A.

> EXTENSION BAR FOR DOOR INTERLOCK

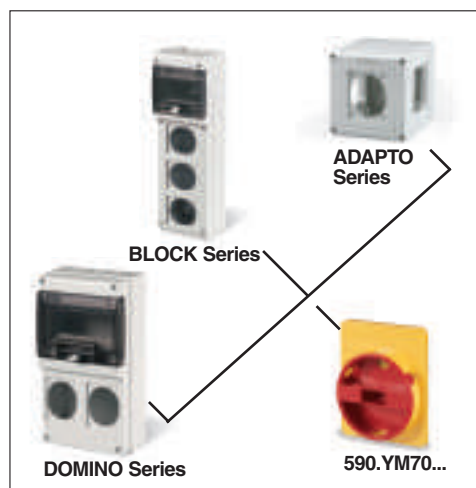


Description	Rotary switches	Lenght	Dimensions	⊞	
		85mm	5x5mm	1/10	590.YMA085
	16A, 32A, 40A	185mm	5x5mm	1/10	590.YMA185
Suitable for B switch disconnectors		300mm	5x5mm	1/10	590.YMA300
		85mm	6x6mm	1/10	590.YMB085
	63A, 80A, 100A	185mm	6x6mm	1/10	590.YMB185
		300mm	6x6mm	1/10	590.YMB300

63A, 80A



The contacts may also be used as uxiliary equipments for SCAME interlocked socket ADVANCE 2 Series and OMNIA Series, switch-disconnectors COMMAND Series and control equipment TOP22 Series.



# COMMAND Series

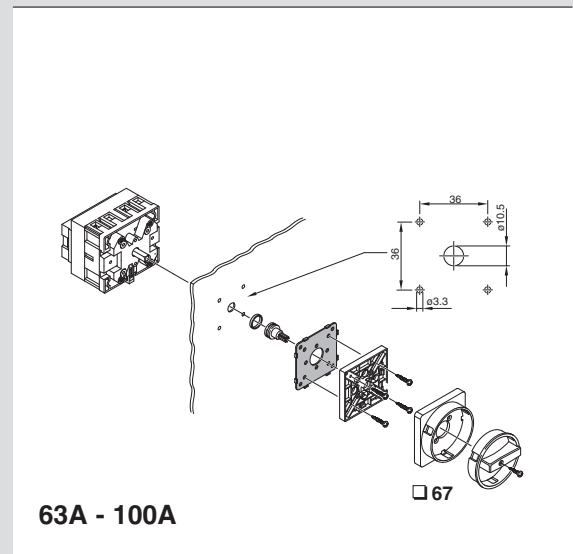
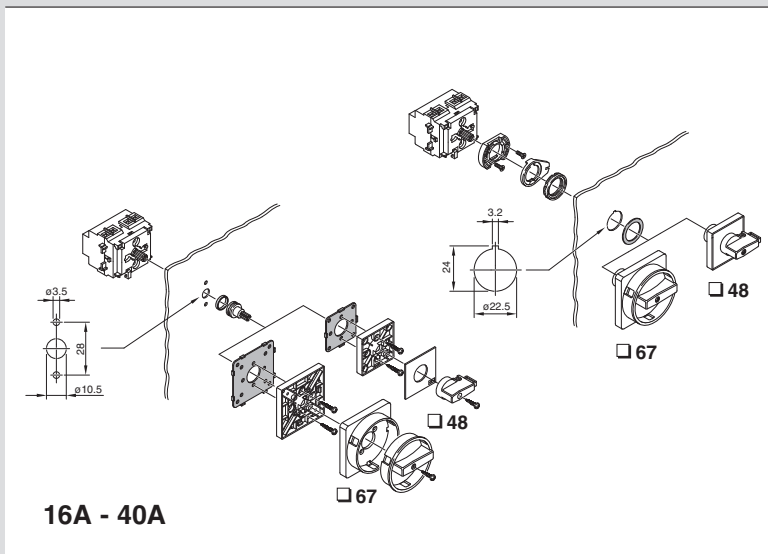
## > TECHNICAL DATA SWITCH DISCONNECTORS

			with fuse		without fuse									
			16A	32A	16A	32A	40A	63A	80A	100A	125A	160A		
			YF16	YF32										
Rated insulation voltage $U_i$	$V_{AC}$		690	690	690	690	690	690	690	690	750	750		
	$V_{DC}$		400	400	400	400	400	-	-	-	750	750		
Rated impulse withstand voltage $U_{imp}$	kV		4	4	4	4	4	8	8	8	8	12		
Thermal current $I_{th}$	A		25	32	30	40	40	63	86	100	125	200		
Thermal current $I_{the}$	A		25	32	30	40	40	63	86	86	125	160		
lec rating	AC21A	Resistive loads, including moderate overloads	400V	A	-	-	-	-	40	-	-	-	-	
			500V	A	-	-	-	-	-	-	-	-	-	
			690V	A	25	32	30	32	-	63	80	100	125	160
	AC22A	Mixed resistive and inductive loads, including moderate overloads	400V	A	-	-	-	-	40	-	-	-	-	
			500V	A	-	-	-	-	-	-	-	-	-	
			690V	A	30	32	20	32	-	63	80	86	125	160
	AC23A	Switching off motor loads or other highly inductive loads (3 phase / 3 pole)	400V	A	-	-	20	32	35	63	67	67	90	135
			500V	A	-	-	-	-	-	40	67	67	70	125
			690V	A	16	25	16	25	25	30	38	38	50	80
	AC3	Squirrel-cage motor: starting, switching off motor during running (3 phase / 3 pole)	400V	A	-	28,5	-	28,5	28,5	40	55	55	-	-
			690V	A	12	20	12	20	20	25	32	32	-	-
	DC21A	Resistive loads, including moderate overloads	300V	A	25	32	20	32	32	-	-	-	125 (220V)	160 (220V)
DC22A	Mixed resistive and inductive loads, including moderate overloads	250V	A	20	32	25	32	32	-	-	-	80 (220V)	160 (220V)	
		600V	A			10(1)	10(1)	10(1)	-	-	-			
Rated short-time withstand current low (1s)	A		400	400	400	400	400	1500	1500	1500	2500	4000		
Short-circuit protection	Conditional short-circuit current	kAeff	10	10	10	10	10	10	10	10	12	25		
	Associate fuse size for conditional short-circuit current - Type gG	A	16	32	16	32	40	63	80	-	100	200		
	Rated short-circuit making capacity, $I_{cm}$	A	1500	1500	1500	1500	1500	2850	2850	2100	3600	12000		
UL rating	General use single phase and three phase	600V	A	20	30	32	40	-	63	80	100	-	-	
	AC motor starting break all line single phase	120V	Hp	1,5	2	1,5	2	-	3	3	3	-	-	
		240V	Hp	3	5	3	5	-	7,5	7,5	10	-	-	
	AC motor B, C, D, starting break all lines three phase	240V	Hp	7,5	10	7,5	10	-	10	10	10	-	-	
		480V	Hp	10	15	10	15	-	20	25	25	-	-	
	600V	Hp	15	20	15	20	-	25	30	30	-	-		
Permissible wire gauge	Flexible wire	mm <sup>2</sup>		1,5-10	1,5-10	1,5 - 10	1,5 - 10	1,5 - 10	10-35	10-35	10-35	10-70	10-70	
		AWG		16-8	16-8	16 - 8	16 - 8	16 - 8	10-2	10-2	10-2	-	-	
	Flexible wire	mm <sup>2</sup>		1,5-16	1,5-16	1,5 - 16	1,5 - 16	1,5 - 16	10-35	10-35	10-35	-	-	
		AWG		16-8	16-8	16-8	16-8	16-8	10-2	10-2	10-2	-	-	

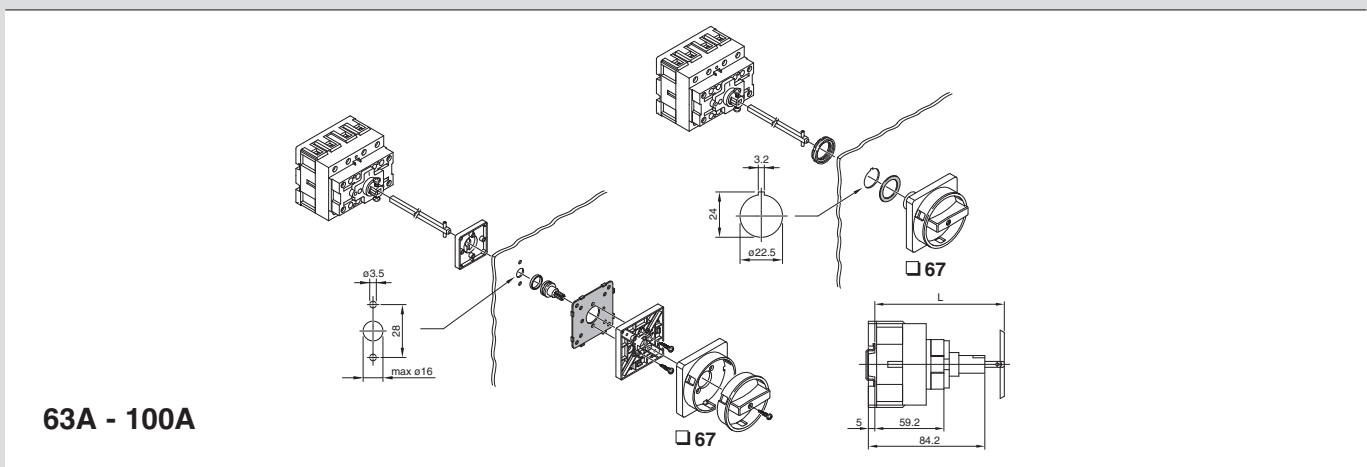
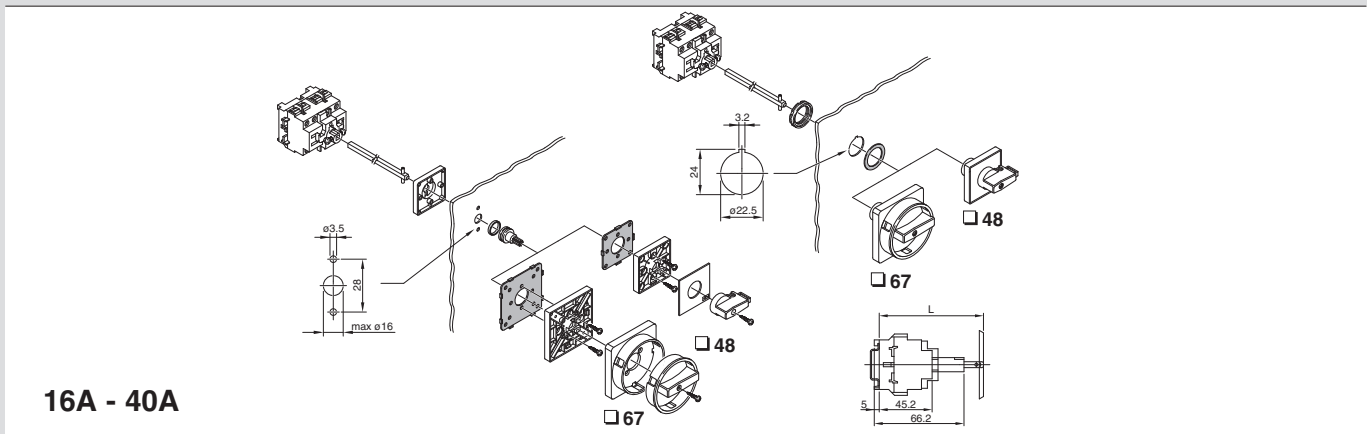
(1) 2+2 poles in series.  UL approve values.  IMQ approved values.



> FRONT PANEL MOUNTING - R TYPE



> BOX MOUNTING - B TYPE



	590.YMA085	590.YMA185	590.YMA300
<b>L max</b>	120mm	220mm	335mm

Note: L min 80mm

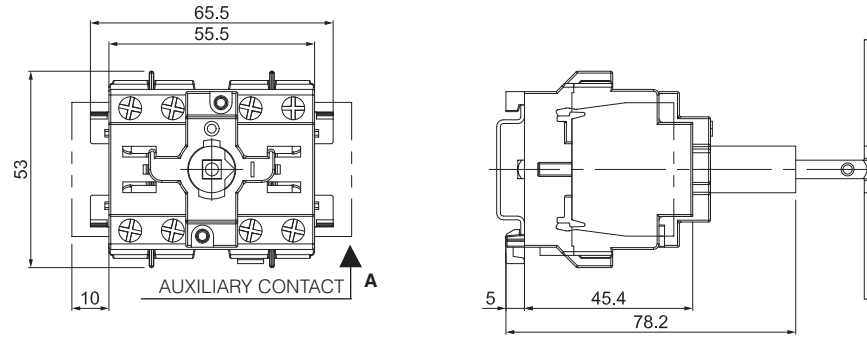
	590.YMB085	590.YMB185	
<b>L max</b>	128mm	228mm	343mm

Note: L min 98mm

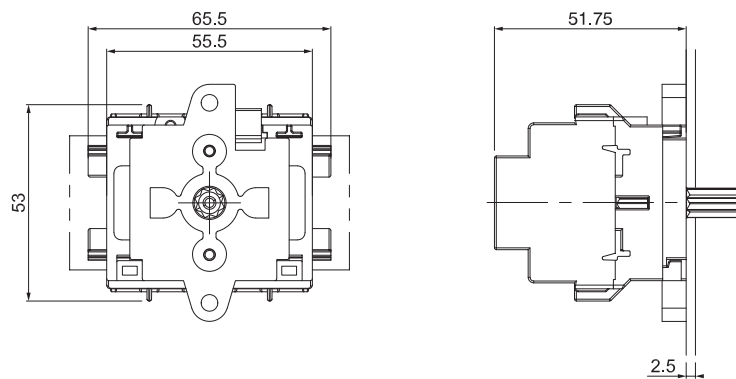
# COMMAND Series

## > DIMENSIONS

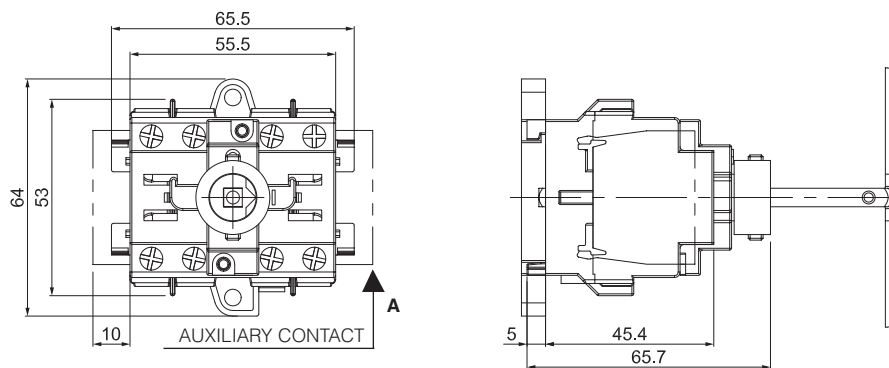
### B TYPE 16A-40A



### R TYPE 16A-40A

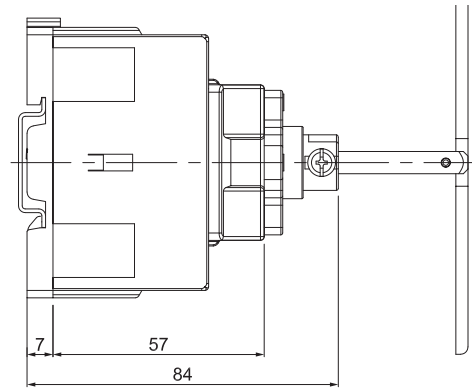
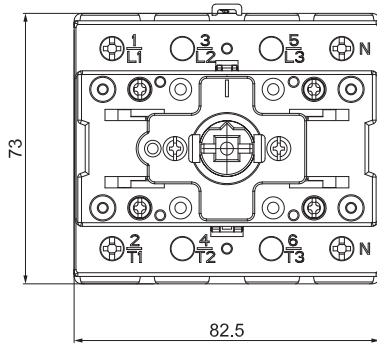


### K1 TYPE 16A-40A

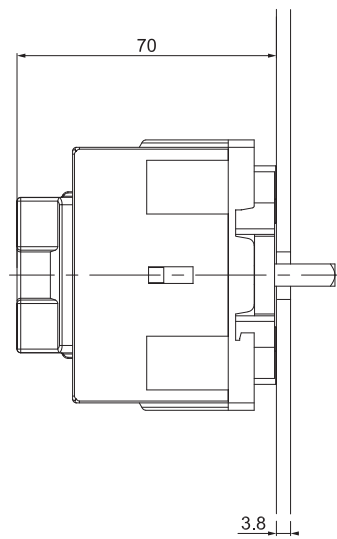
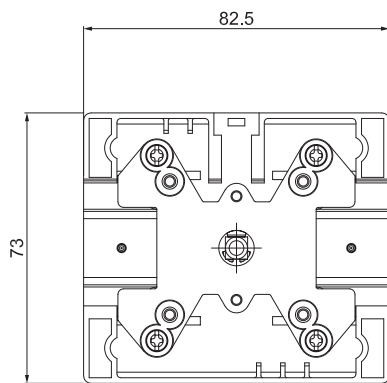


(Dimensions in mm)

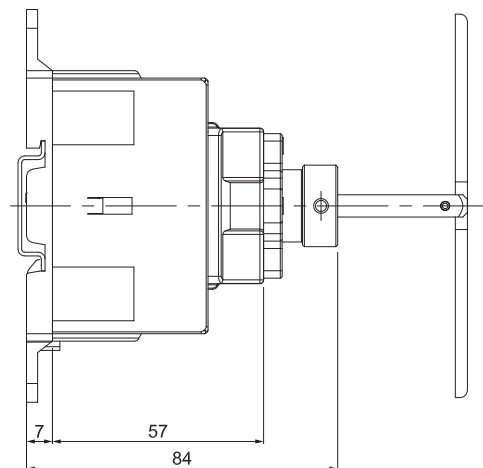
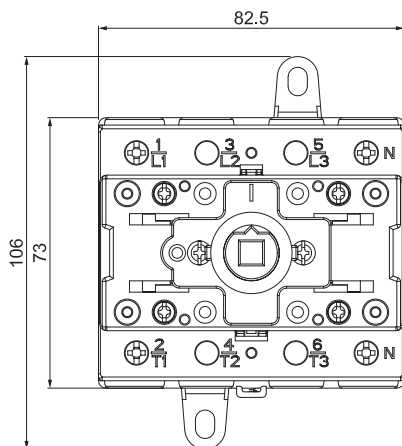
**B TYPE 63A**



**R TYPE 63A**



**K1 TYPE 63A**



(Dimensions in mm)