

**Low-voltage sheet steel enclosures  
for the insert system xEnergy Profi+**

- xEnergy Basic BP
- xEnergy Light XVTL

Version 2016 04

- Insert system Profi+



xEnergy assemblies



*Powering Business Worldwide*

# Eaton Online Catalog – find product details quickly and efficiently!

You can find comprehensive up-to-date product information at <http://ecat.moeller.net>

## Lookup

You can search by keywords, product names, article numbers, technical data: The search understands everything and takes you straight to the product you're looking for.

## Graphical navigation

Graphical representation of the fields of application and product groups.

## Selection aids

Tailored to the typical expert's approach, this search aid helps you quickly find the product you need.

## Data sheets

For every article the catalog can generate a technical data sheet, which you can convert to a PDF file for printing or saving with a single click.

## Parts lists

From your search results you can create a parts list that you can then send to your Eaton sales partner as a query.



HTML data sheet; can be saved as PDF file.

### Parts list

Item	Qty.	Photo	Article no.	Part no.	Short Text
<input type="checkbox"/>	1		111817	ES4P-221-DMND1	Safety control relay, 24 V DC trans.
<input type="checkbox"/>	1		229758	FAK-COMBINATION*	Complete unit
<input type="checkbox"/>	1		284831	M22S-DDM-M-GR-X1100	Double act. ,lum. ,flat, off-button ext.
<input type="checkbox"/>	1		290090	DLM15-01 (110V/50HZ, 120V/50HZ)	Contactors, 7,5kW/400V, AC-operated
<input type="checkbox"/>	1		138516	PKF650XTU-65	PKF65 + trip block Standard 8-65A

Select all

Parts list, e.g. for queries to Eaton Sales.

You can find comprehensive up-to-date information about Eaton's automation products and switchgear in our Online Catalog.

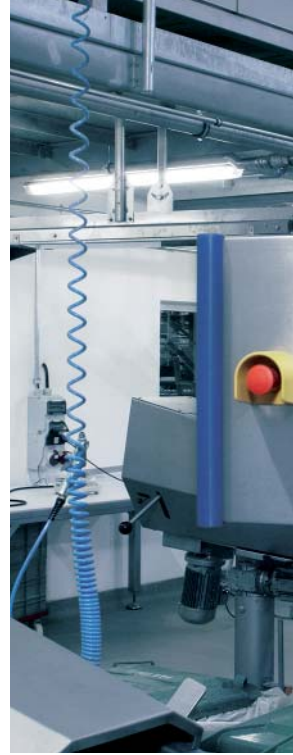
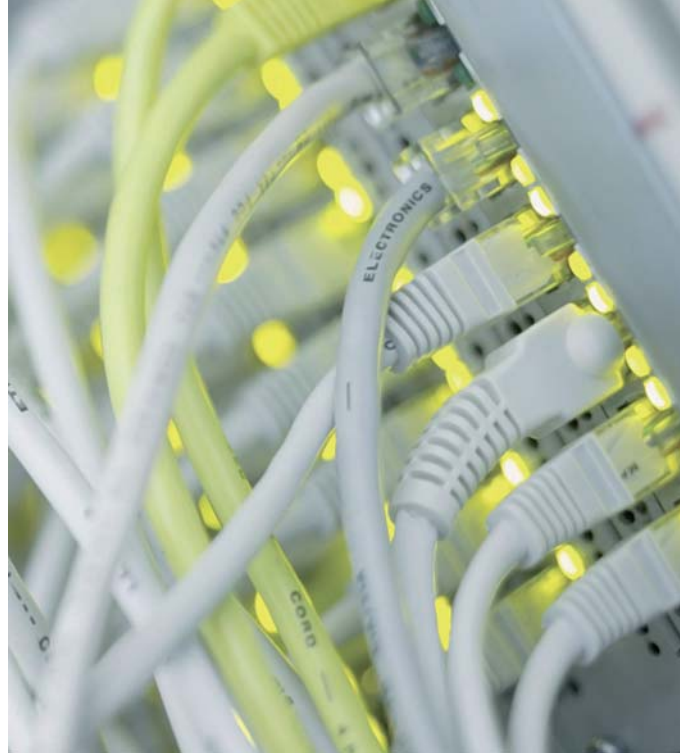


# Table of content

<b>Order information</b> .....	<b>6</b>
<b>Technical information</b> .....	<b>137</b>

<b>Sheet steel enclosure xEnergy Basic BP</b> .....	<b>6</b>
---	----------

<b>Sheet steel enclosure xEnergy Light XVTL</b> .....	<b>91</b>
---	-----------



# Powering electrical systems worldwide

## Buildings

- Residential
- Healthcare
- Education
- Commercial offices
- Retail
- Public sector
- Airports
  
- Electrical distribution solutions for safe and efficient power delivery
- Power quality systems for uptime and reliability
- Power metering and monitoring to add intelligence and save costs
- Industrial control products for HVAC applications

## Information Technology

- Data centers
- Telecommunication
- Networks
- Computer rooms
  
- World's most efficient line of UPSs to reduce footprint and save energy
- Reliable power systems with inherent redundancy to improve availability
- Power metering and monitoring to diagnose problems and lower costs
- Local service and support for quick response



### Public and private sectors

Buildings, Information Technology, Industrial & Machinery, Energy & Utilities  
We provide reliable, efficient and safe power management.

## Industrial & Machinery

- Manufacturing
- Agriculture
- Construction
- Mining and metals
- Processing:
  - Petrochemicals
  - Pharmaceuticals
  - Pulp and paper
- Material handling
  
- Electrical distribution equipment to deliver power throughout the enterprise
- Control & automation and power quality equipment for process control
- Power metering and monitoring to manage energy costs and uptime
- Power and motion control products to optimize productivity, reliability, safety and operator comfort

## Energy & Utilities

- Renewable energy:
  - Solar
  - Wind
  - Hydropower
- Traditional energy:
  - Oil
  - Gas
- Smart grid
- Water and waste water
  
- Electrical balance of system and turnkey services for residential, utility and commercial solar installations
- Power distribution equipment, control components and system installations services
- Network power grid technology for intelligent data, lower costs and crew/public safety

## Distribution Boards BP-...

- Installation distribution boards (floor-standing, surface-mounting, flush-mounting)
- IP30, IP43, IP54
- Protection class I
- Sheet steel enclosure, polyester powder-coated
- Metal front panels with self-earthing fasteners
- Modular design
- Add-on options
- Depth 180 / 240 / 250 / 270 / 300 / 320 / 400 mm
- Generous wiring space
- Divisible installation space (separate compartment for cable space, busbars etc.)
- Protection against mechanical impact up to IK08
- Grey (RAL 7035) or White (RAL 9016)

wa\_vt00112, wa\_vt00212



wa\_vt03613, wa\_vt04013



# Distribution Boards

## Surface-Mounting Installation Distribution Boards - Fully Assembled, IP30, BP-O....C

- including base frame, side panels, top/bottom panels and door
- including DIN-rail sets BPZ-DINR...B
- including front plates (150 mm) with device cutout (45 mm)
- including cable entry at the top, with pass-through flange
- with Bottom Panel blind
- assembling from the base frame - no mounting side wall MSW

wa\_vt07713



Width / Outside Height (mm) / MU / Rows	Type Designation	Article No.	Units per package
---	------------------	-------------	-------------------

### Rotary door handle, Grey

600 / 760 / 96 / 4	BP-O-600/7-C	293307	1
600 / 1060 / 144 / 6	BP-O-600/10-C	293308	1
600 / 1260 / 168 / 7	BP-O-600/12-C	293309	1
600 / 1560 / 216 / 9	BP-O-600/15-C	293310	1
800 / 760 / 140 / 4	BP-O-800/7-C	293311	1
800 / 1060 / 210 / 6	BP-O-800/10-C	293312	1
800 / 1260 / 245 / 7	BP-O-800/12-C	293313	1
800 / 1560 / 315 / 9	BP-O-800/15-C	293314	1

### Rotary door handle, White

- additional cable entry at the bottom, with pass-through flange

600 / 760 / 96 / 4	BP-O-600/7-C-W	105534	1
600 / 1060 / 144 / 6	BP-O-600/10-C-W	105535	1
600 / 1260 / 168 / 7	BP-O-600/12-C-W	105536	1
600 / 1560 / 216 / 9	BP-O-600/15-C-W	105537	1
800 / 760 / 140 / 4	BP-O-800/7-C-W	105538	1
800 / 1060 / 210 / 6	BP-O-800/10-C-W	105539	1
800 / 1260 / 245 / 7	BP-O-800/12-C-W	105540	1
800 / 1560 / 315 / 9	BP-O-800/15-C-W	105541	1

wa\_vt07813



## Surface-Mounting Installation Distribution Boards - Fully Assembled, IP30, BP-O...

- including base frame, side panels, top/bottom panels and door
- including cable entry at the top, with pass-through flange
- with bottom panel blind
- assembling from the base frame - no mounting side wall MSW

wa\_vt04713



Width / Outside Height / Frontplate Height (mm)	Type Designation	Article No.	Units per package
---	------------------	-------------	-------------------

### Rotary door handle, Grey

400 / 460 / 350	BP-O-400/4	100959	1
400 / 760 / 650	BP-O-400/7	100960	1
400 / 1060 / 950	BP-O-400/10	100961	1
400 / 1260 / 1150	BP-O-400/12	100962	1
600 / 460 / 350	BP-O-600/4	100963	1
600 / 760 / 650	BP-O-600/7	100964	1
600 / 1060 / 950	BP-O-600/10	100965	1
600 / 1260 / 1150	BP-O-600/12	100966	1
600 / 1560 / 1450	BP-O-600/15	100967	1
800 / 760 / 650	BP-O-800/7	100968	1
800 / 1060 / 950	BP-O-800/10	100969	1
800 / 1260 / 1150	BP-O-800/12	100970	1
800 / 1560 / 1450	BP-O-800/15	100971	1
1000 / 1060 / 950	BP-O-1000/10	100972	1
1000 / 1260 / 1150	BP-O-1000/12	100973	1
1000 / 1560 / 1450	BP-O-1000/15	100974	1
1200 / 1260 / 1150	BP-O-1200/12	100975	1
1200 / 1560 / 1450	BP-O-1200/15	100976	1

# Distribution Boards

## Surface-Mounting Installation Distribution Boards - Fully Assembled, IP30, **BP-O...-MSW**

- including base frame, side panels with MSW assembling, top/bottom panels and door
- including cable entry at the top, with pass-through flange
- with bottom panel blind
- Snap Element BPZ-SNAP-MSW-CTS already mounted
- MSW assembling

wa\_vt04713



Width / Outside Height / Frontplate Height (mm)	Type Designation	Article No.	Units per package
<b>Rotary door handle, Grey</b>			
400 / 460 / 350	BP-O-400/4-MSW	149116	1
400 / 760 / 650	BP-O-400/7-MSW	149117	1
400 / 1060 / 950	BP-O-400/10-MSW	149118	1
400 / 1260 / 1150	BP-O-400/12-MSW	149119	1
400 / 1560 / 1450	BP-O-400/15-MSW	149150	1
600 / 460 / 350	BP-O-600/4-MSW	149151	1
600 / 760 / 650	BP-O-600/7-MSW	149152	1
600 / 1060 / 950	BP-O-600/10-MSW	149153	1
600 / 1260 / 1150	BP-O-600/12-MSW	149154	1
600 / 1560 / 1450	BP-O-600/15-MSW	149155	1
800 / 460 / 350	BP-O-800/4-MSW	149156	1
800 / 760 / 650	BP-O-800/7-MSW	149157	1
800 / 1060 / 950	BP-O-800/10-MSW	149158	1
800 / 1260 / 1150	BP-O-800/12-MSW	149159	1
800 / 1560 / 1450	BP-O-800/15-MSW	149160	1
1000 / 1060 / 950	BP-O-1000/10-MSW	149161	1
1000 / 1260 / 1150	BP-O-1000/12-MSW	149162	1
1000 / 1560 / 1450	BP-O-1000/15-MSW	149163	1
1200 / 1260 / 1150	BP-O-1200/12-MSW	149164	1
1200 / 1560 / 1450	BP-O-1200/15-MSW	149165	1



# Distribution Boards

## Surface-Mounting Installation Distribution Boards - Fully Assembled, IP30, fire resistance, **BP-O-...-EW**

- including base frame, side panels, top/bottom panels and door
- including cable entry at the top, with pass-through flange
- with Bottom Panel blind
- fire resistance
- assembling from the base frame - no mounting side wall MSW

wa\_v123813



wa\_v123713



Width / Outside Height (mm) / MU	Type Designation	Article No.	Units per package
----------------------------------	------------------	-------------	-------------------

### Rotary door handle, Grey

400 / 460 / 350	BP-O-400/4-EW	116614	1
400 / 760 / 650	BP-O-400/7-EW	116615	1
400 / 1060 / 950	BP-O-400/10-EW	116616	1
400 / 1260 / 1150	BP-O-400/12-EW	116617	1
400 / 1560 / 1150	BP-O-400/15-EW	116618	1
600 / 460 / 350	BP-O-600/4-EW	116619	1
600 / 760 / 650	BP-O-600/7-EW	116620	1
600 / 1060 / 950	BP-O-600/10-EW	116621	1
600 / 1260 / 1150	BP-O-600/12-EW	116622	1
600 / 1560 / 1450	BP-O-600/15-EW	116623	1
800 / 460 / 350	BP-O-800/4-EW	116624	1
800 / 760 / 650	BP-O-800/7-EW	116625	1
800 / 1060 / 950	BP-O-800/10-EW	116626	1
800 / 1260 / 1150	BP-O-800/12-EW	116627	1
800 / 1560 / 1450	BP-O-800/15-EW	116628	1
1000 / 1060 / 950	BP-O-1000/10-EW	116629	1
1000 / 1260 / 1150	BP-O-1000/12-EW	116630	1
1000 / 1560 / 1450	BP-O-1000/15-EW	116631	1

### Rotary door handle, White

400 / 460 / 350	BP-O-400/4-EW-W	116632	1
400 / 760 / 650	BP-O-400/7-EW-W	116633	1
400 / 1060 / 950	BP-O-400/10-EW-W	116634	1
400 / 1260 / 1150	BP-O-400/12-EW-W	116635	1
400 / 1560 / 1150	BP-O-400/15-EW-W	116636	1
600 / 460 / 350	BP-O-600/4-EW-W	116637	1
600 / 760 / 650	BP-O-600/7-EW-W	116638	1
600 / 1060 / 950	BP-O-600/10-EW-W	116639	1
600 / 1260 / 1150	BP-O-600/12-EW-W	116640	1
600 / 1560 / 1450	BP-O-600/15-EW-W	116641	1
800 / 460 / 350	BP-O-800/4-EW-W	116642	1
800 / 760 / 650	BP-O-800/7-EW-W	116643	1
800 / 1060 / 950	BP-O-800/10-EW-W	116644	1
800 / 1260 / 1150	BP-O-800/12-EW-W	116645	1
800 / 1560 / 1450	BP-O-800/15-EW-W	116646	1
1000 / 1060 / 950	BP-O-1000/10-EW-W	116647	1
1000 / 1260 / 1150	BP-O-1000/12-EW-W	116648	1
1000 / 1560 / 1450	BP-O-1000/15-EW-W	116649	1

# Distribution Boards

## Surface-Mounting Installation Distribution Boards - Flatpack, IP30, BP-O...FLAT

- incl. Base frame, side panels, top/bottom panels and door (rotary door handle)
- including cable entry at the top with pass-through flange
- with Bottom Panel blind
- assembling from the base frame - no mounting side wall MSW

VT10808



Width / Outside Height (mm) / MU	Type Designation	Article No.	Units per package
----------------------------------	------------------	-------------	-------------------

### Rotary door handle, Grey

600 / 760 / 96	BP-O-600/7-FLAT	113170	1
600 / 1060 / 144	BP-O-600/10-FLAT	113171	1
600 / 1260 / 168	BP-O-600/12-FLAT	113172	1
600 / 1560 / 216	BP-O-600/15-FLAT	113173	1
800 / 1060 / 210	BP-O-800/10-FLAT	113174	1
800 / 1260 / 245	BP-O-800/12-FLAT	113175	1
800 / 1560 / 315	BP-O-800/15-FLAT	113176	1

### Rotary door handle, White

600 / 760 / 96	BP-O-600/7-FLAT-W	113177	1
600 / 1060 / 144	BP-O-600/10-FLAT-W	113178	1
600 / 1260 / 168	BP-O-600/12-FLAT-W	113179	1
600 / 1560 / 216	BP-O-600/15-FLAT-W	113180	1
800 / 1060 / 210	BP-O-800/10-FLAT-W	113181	1
800 / 1260 / 245	BP-O-800/12-FLAT-W	113182	1
800 / 1560 / 315	BP-O-800/15-FLAT-W	113183	1

# Distribution Boards

Surface-Mounting Installation Distribution Board - Components				
Width / Outside Height / Front plate Height (mm)	Type Designation	Article No.	Units per package	
<b>Base Frame, BP-MF</b>				
• including base plate, 4 towers and screws				
400 / 460 / 350	BP-MF-400/4	286653	1	
400 / 760 / 650	BP-MF-400/7	286654	1	
400 / 1060 / 950	BP-MF-400/10	286655	1	
400 / 1260 / 1150	BP-MF-400/12	286656	1	
400 / 1560 / 1450	BP-MF-400/15	286657	1	
600 / 460 / 350	BP-MF-600/4	286658	1	
600 / 760 / 650	BP-MF-600/7	286659	1	
600 / 1060 / 950	BP-MF-600/10	286660	1	
600 / 1260 / 1150	BP-MF-600/12	286661	1	
600 / 1560 / 1450	BP-MF-600/15	286662	1	
800 / 460 / 350	BP-MF-800/4	286663	1	
800 / 760 / 650	BP-MF-800/7	286664	1	
800 / 1060 / 950	BP-MF-800/10	286665	1	
800 / 1260 / 1150	BP-MF-800/12	286666	1	
800 / 1560 / 1450	BP-MF-800/15	286667	1	
1000 / 1060 / 950	BP-MF-1000/10	293521	1	
1000 / 1260 / 1150	BP-MF-1000/12	293522	1	
1000 / 1560 / 1450	BP-MF-1000/15	293523	1	
1200 / 1260 / 1150	BP-MF-1200/12	293524	1	
1200 / 1560 / 1450	BP-MF-1200/15	293525	1	
<b>Top/Bottom Panels, BP-TBP</b>				
• pair (for top and bottom), screws included				
• with or without opening for cable entry				
<b>Grey</b>				
400 / blind (without cutout)	BP-TBP-400-BL	286698	1	
600 / blind (without cutout)	BP-TBP-600-BL	286700	1	
800 / blind (without cutout)	BP-TBP-800-BL	286702	1	
1000 / blind (without cutout)	BP-TBP-1000-BL	293550	1	
1200 / blind (without cutout)	BP-TBP-1200-BL	293554	1	
400 / with opening for cable entry	BP-TBP-400-CE	286699	1	
600 / with opening for cable entry	BP-TBP-600-CE	286701	1	
800 / with opening for cable entry	BP-TBP-800-CE	286703	1	
1000 / with opening for cable entry	BP-TBP-1000-CE	293552	1	
1200 / with opening for cable entry	BP-TBP-1200-CE	293556	1	
<b>White</b>				
400 / blind (without cutout)	BP-TBP-400-BL-W	292420	1	
600 / blind (without cutout)	BP-TBP-600-BL-W	292422	1	
800 / blind (without cutout)	BP-TBP-800-BL-W	292424	1	
1000 / blind (without cutout)	BP-TBP-1000-BL-W	293551	1	
1200 / blind (without cutout)	BP-TBP-1200-BL-W	293555	1	
400 / with opening for cable entry	BP-TBP-400-CE-W	292421	1	
600 / with opening for cable entry	BP-TBP-600-CE-W	292423	1	
800 / with opening for cable entry	BP-TBP-800-CE-W	292425	1	
1000 / with opening for cable entry	BP-TBP-1000-CE-W	293553	1	
1200 / with opening for cable entry	BP-TBP-1200-CE-W	293557	1	

VT11404



wa\_vt02213



VT16504



wa\_vt51213



VT03605



xEnergy  
Basic

# Distribution Boards

Width / Description	Type Designation	Article No.	Units per package
<b>Top/Bottom Panels, BP-TBP1</b>			
<ul style="list-style-type: none"> <li>• single item, screws included</li> <li>• with or without opening for cable entry</li> </ul>			
<b>Grey</b>			
400 / blind (without cutout)	BP-TBP1-400-BL	144689	1
600 / blind (without cutout)	BP-TBP1-600-BL	144700	1
800 / blind (without cutout)	BP-TBP1-800-BL	144701	1
1000 / blind (without cutout)	BP-TBP1-1000-BL	144702	1
1200 / blind (without cutout)	BP-TBP1-1200-BL	144703	1
400 / with opening for cable entry	BP-TBP1-400-CE	144704	1
600 / with opening for cable entry	BP-TBP1-600-CE	144705	1
800 / with opening for cable entry	BP-TBP1-800-CE	144706	1
1000 / with opening for cable entry	BP-TBP1-1000-CE	144707	1
1200 / with opening for cable entry	BP-TBP1-1200-CE	144708	1
<b>White</b>			
400 / blind (without cutout)	BP-TBP1-400-BL-W	144709	1
600 / blind (without cutout)	BP-TBP1-600-BL-W	144710	1
800 / blind (without cutout)	BP-TBP1-800-BL-W	144711	1
1000 / blind (without cutout)	BP-TBP1-1000-BL-W	144712	1
1200 / blind (without cutout)	BP-TBP1-1200-BL-W	144713	1
400 / with opening for cable entry	BP-TBP1-400-CE-W	144714	1
600 / with opening for cable entry	BP-TBP1-600-CE-W	144715	1
800 / with opening for cable entry	BP-TBP1-800-CE-W	144716	1
1000 / with opening for cable entry	BP-TBP1-1000-CE-W	144717	1
1200 / with opening for cable entry	BP-TBP1-1200-CE-W	144718	1







wa\_vt02213



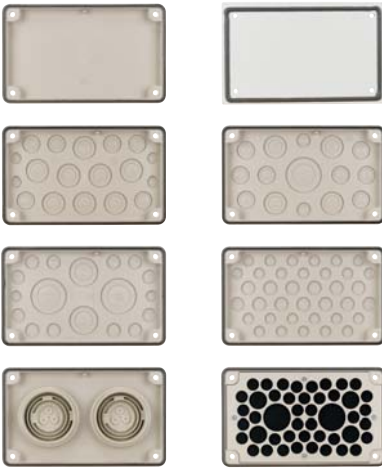



vt03605



# Distribution Boards

	Width (mm) / Description	Type Designation	Article No.	Units per package
<b>Cable Entry/Flange Plate, BP-FLP</b>				
<b>Grey</b>				
for IP30 applications, for surface- and floor standing boards				
 VT00705	400 / blind	BP-FLP-400-BL	286704	1
	600 / blind	BP-FLP-600-BL	286707	1
	800 / blind	BP-FLP-800-BL	286710	1
	1000 / blind	BP-FLP-1000-BL	293558	1
	1200 / blind	BP-FLP-1200-BL	293564	1
 VT00505	400 / pass-through flange	BP-FLP-400-2K	286705	1
	600 / pass-through flange	BP-FLP-600-2K	286708	1
	800 / pass-through flange	BP-FLP-800-2K	286711	1
	1000 / pass-through flange	BP-FLP-1000-2K	293560	1
	1200 / pass-through flange	BP-FLP-1200-2K	293566	1
for IP54 applications, for surface- and floor standing boards				
 VT00605	400 / prepared for F3A flanges	BP-FLP-400-F3A	286706	1
	600 / prepared for F3A flanges	BP-FLP-600-F3A	286709	1
	800 / prepared for F3A flanges	BP-FLP-800-F3A	286712	1
	1000 / prepared for F3A flanges	BP-FLP-1000-F3A	293562	1
	1200 / prepared for F3A flanges	BP-FLP-1200-F3A	293568	1
<b>White</b>				
for IP30 applications, for surface- and floor standing boards				
 VT02905	400 / blind	BP-FLP-400-BL-W	292426	1
	600 / blind	BP-FLP-600-BL-W	292429	1
	800 / blind	BP-FLP-800-BL-W	292432	1
	1000 / blind	BP-FLP-1000-BL-W	293559	1
	1200 / blind	BP-FLP-1200-BL-W	293565	1
 VT02705	400 / pass-through flange	BP-FLP-400-2K-W	292427	1
	600 / pass-through flange	BP-FLP-600-2K-W	292430	1
	800 / pass-through flange	BP-FLP-800-2K-W	292433	1
	1000 / pass-through flange	BP-FLP-1000-2K-W	293561	1
	1200 / pass-through flange	BP-FLP-1200-2K-W	293567	1
for IP54 applications, for surface- and floor standing boards				
 VT02805	400 / prepared for F3A flanges	BP-FLP-400-F3A-W	292428	1
	600 / prepared for F3A flanges	BP-FLP-600-F3A-W	292431	1
	800 / prepared for F3A flanges	BP-FLP-800-F3A-W	292434	1
	1000 / prepared for F3A flanges	BP-FLP-1000-F3A-W	293563	1
	1200 / prepared for F3A flanges	BP-FLP-1200-F3A-W	293569	1

# Distribution Boards

<b>F3A Flanges</b>				
	Type Designation	Article No.	Units per package	
for IP54 applications, for surface- and floor standing boards				
 <p>VT17407, VT09208, VT17507, VT17307, VT17607, VT17707, VT17807, VT17207</p>	Blind flange	F3A-0	074182	1
	Blind flange sheet-steel	F3A-XP	113426	1
	4xM16, 6xM25/16, 8xM32/20	F3A-4	081301	1
	2xM20, 8xM25/16, 4xM32/20, 1xM50/32	F3A-8	091468	1
	2xM16, 12xM20, 2xM40/25, 2xM50/32	F3A-12	076555	1
	24xM16, 13xM20	F3A-34	078928	1
	2 Grommets for cables up to Ø 70mm	F3A-KTD	083674	1
Cellular rubber insertion flange 40 cables Ø 10-13mm 4 cables Ø 17-21mm 2 cables Ø 27-30mm	F3A-D	010145	1	
<b>Sheet metal flange plate as a ventilation hood, for IP30 applications</b>				
Flange with ventilating	F3A-V	149194	1	
				
<b>Pass-through Flange ZSD-2K/FLA</b>				
pass-through flange for diverse wire cross-section, for IP30 applications				
14 cables Ø 11mm	ZSD-2K/FLA	272166	1	
8 cables Ø 15mm				
2 cables Ø 28mm				
				
Width (mm)				
Type Designation				
Article No.				
Units per package				
<b>Shift-back flange, BP-FLP-...-VS</b>				
<ul style="list-style-type: none"> <li>for IP30 applications, for surface- and floor standing boards</li> <li>flange rotatable for inside and outside mounting</li> <li>for wall mounting and floor standing boards with a width of 400, 600, 800 mm is one shift-back flange necessary</li> <li>for floor standing boards with a width of 1000 and 1200 mm two shift-back flanges, width 600 and 400 mm or width 600 and 600 mm are necessary</li> </ul>				
<b>Grey</b>				
400	BP-FLP-400-VS	119355	1	
600	BP-FLP-600-VS	119356	1	
800	BP-FLP-800-VS	119357	1	
1000	BP-FLP-1000-VS	119358	1	
1200	BP-FLP-1200-VS	119359	1	
<b>White</b>				
400	BP-FLP-400-VS-W	131573	1	
600	BP-FLP-600-VS-W	131574	1	
800	BP-FLP-800-VS-W	131575	1	
1000	BP-FLP-1000-VS-W	131576	1	
1200	BP-FLP-1200-VS-W	131577	1	
Width (mm)				
Type Designation				
Article No.				
Units per package				
<b>Cover 2K Flange, 2K/BLIND</b>				
<ul style="list-style-type: none"> <li>flange cover sheet steel for 2K pass-through flange</li> </ul>				
<b>Grey</b>				
	2K/BLIND	151178	1	
				

xEnergy Basic

# Distribution Boards

VT16704, VT16804



VT03805, VT03905



Outside Height (mm)	Type Designation	Article No.	Units per package
<b>Side Panels, BP-SP</b>			
<ul style="list-style-type: none"> <li>• pair (for left and right side), screws included</li> <li>• assembling from the base frame</li> </ul>			
<b>Grey</b>			
460	BP-SP-4	286693	1
760	BP-SP-7	286694	1
1060	BP-SP-10	286695	1
1260	BP-SP-12	286696	1
1560	BP-SP-15	286697	1
<b>White</b>			
460	BP-SP-4-W	292415	1
760	BP-SP-7-W	292416	1
1060	BP-SP-10-W	292417	1
1260	BP-SP-12-W	292418	1
1560	BP-SP-15-W	292419	1

# Distribution Boards

VT12007, VT12007



Outside Height (mm)	Type Designation	Article No.	Units per package
<b>Side Panels, BP-SP-MSW</b>			
<ul style="list-style-type: none"> <li>• pair (for left and right side), screws included</li> <li>• for MSW applications</li> </ul>			
<b>Grey</b>			
460	BPZ-SP-MSW-4	111339	1
760	BPZ-SP-MSW-7	111341	1
1060	BPZ-SP-MSW-10	111342	1
1260	BPZ-SP-MSW-12	111343	1
1560	BPZ-SP-MSW-15	111344	1
<b>White</b>			
460	BPZ-SP-MSW-4-W	111345	1
760	BPZ-SP-MSW-7-W	111347	1
1060	BPZ-SP-MSW-10-W	111348	1
1260	BPZ-SP-MSW-12-W	111349	1
1560	BPZ-SP-MSW-15-W	111350	1



# Distribution Boards

wa\_vt80613



wa\_vt03313



Width / Height (mm)	Type Designation	Article No.	Units per package
<b>Sheet Steel Doors IP30, BP-DS</b>			
<b>Rotary door handle, Grey</b>			
400 / 400	BP-DS-400/4	286713	1
400 / 700	BP-DS-400/7	286714	1
400 / 1000	BP-DS-400/10	286715	1
400 / 1200	BP-DS-400/12	286716	1
400 / 1500	BP-DS-400/15	286717	1
600 / 400	BP-DS-600/4	286718	1
600 / 700	BP-DS-600/7	286719	1
600 / 1000	BP-DS-600/10	286720	1
600 / 1200	BP-DS-600/12	286721	1
600 / 1500	BP-DS-600/15	286722	1
800 / 400	BP-DS-800/4	286723	1
800 / 700	BP-DS-800/7	286724	1
800 / 1000	BP-DS-800/10	286725	1
800 / 1200	BP-DS-800/12	286726	1
800 / 1500	BP-DS-800/15	286727	1
600+400L / 1000	BP-DS-600/10	286720	1
	BP-DS-400/10-L	293570	1
600+400L / 1200	BP-DS-600/12	286721	1
	BP-DS-400/12-L	293572	1
600+400L / 1500	BP-DS-600/15	286722	1
	BP-DS-400/15-L	293574	1
600+600L / 1200	BP-DS-600/12	286721	1
	BP-DS-600/12-L	293576	1
600+600L / 1500	BP-DS-600/15	286722	1
	BP-DS-600/15-L	293578	1
<b>Rotary door handle, White</b>			
400 / 400	BP-DS-400/4-W	292435	1
400 / 700	BP-DS-400/7-W	292436	1
400 / 1000	BP-DS-400/10-W	292437	1
400 / 1200	BP-DS-400/12-W	292438	1
400 / 1500	BP-DS-400/15-W	292439	1
600 / 400	BP-DS-600/4-W	292440	1
600 / 700	BP-DS-600/7-W	292441	1
600 / 1000	BP-DS-600/10-W	292442	1
600 / 1200	BP-DS-600/12-W	292443	1
600 / 1500	BP-DS-600/15-W	292444	1
800 / 400	BP-DS-800/4-W	292445	1
800 / 700	BP-DS-800/7-W	292446	1
800 / 1000	BP-DS-800/10-W	292447	1
800 / 1200	BP-DS-800/12-W	292448	1
800 / 1500	BP-DS-800/15-W	292449	1
600+400L / 1000	BP-DS-600/10-W	292442	1
	BP-DS-400/10-L-W	293571	1
600+400L / 1200	BP-DS-600/12-W	292443	1
	BP-DS-400/12-L-W	293573	1
600+400L / 1500	BP-DS-600/15-W	292444	1
	BP-DS-400/15-L-W	293575	1
600+600L / 1200	BP-DS-600/12-W	292443	1
	BP-DS-600/12-L-W	293577	1
600+600L / 1500	BP-DS-600/15-W	292444	1
	BP-DS-600/15-L-W	293579	1

# Distribution Boards

wa\_vt03913



Width / Height (mm)	Type Designation	Article No.	Units per package
<b>Clip-down handle, Grey</b>			
400 / 400	BP-DS-400/4-P	119063	1
400 / 700	BP-DS-400/7-P	119064	1
400 / 1000	BP-DS-400/10-P	119065	1
400 / 1200	BP-DS-400/12-P	119066	1
400 / 1500	BP-DS-400/15-P	119067	1
600 / 400	BP-DS-600/4-P	119068	1
600 / 700	BP-DS-600/7-P	119069	1
600 / 1000	BP-DS-600/10-P	119070	1
600 / 1200	BP-DS-600/12-P	119071	1
600 / 1500	BP-DS-600/15-P	119072	1
800 / 400	BP-DS-800/4-P	119073	1
800 / 700	BP-DS-800/7-P	119074	1
800 / 1000	BP-DS-800/10-P	119075	1
800 / 1200	BP-DS-800/12-P	119076	1
800 / 1500	BP-DS-800/15-P	119077	1
<b>Clip-down handle, White</b>			
400 / 400	BP-DS-400/4-P-W	119078	1
400 / 700	BP-DS-400/7-P-W	119079	1
400 / 1000	BP-DS-400/10-P-W	119080	1
400 / 1200	BP-DS-400/12-P-W	119081	1
400 / 1500	BP-DS-400/15-P-W	119082	1
600 / 400	BP-DS-600/4-P-W	119083	1
600 / 700	BP-DS-600/7-P-W	119084	1
600 / 1000	BP-DS-600/10-P-W	119085	1
600 / 1200	BP-DS-600/12-P-W	119086	1
600 / 1500	BP-DS-600/15-P-W	119087	1
800 / 400	BP-DS-800/4-P-W	119088	1
800 / 700	BP-DS-800/7-P-W	119089	1
800 / 1000	BP-DS-800/10-P-W	119090	1
800 / 1200	BP-DS-800/12-P-W	119091	1
800 / 1500	BP-DS-800/15-P-W	119092	1

# Distribution Boards

wa\_vt80813



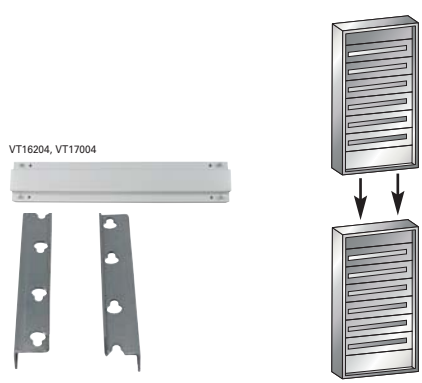
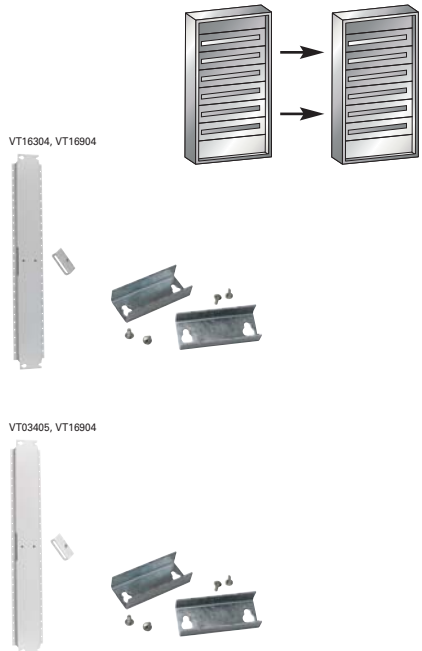
wa\_vt80713



Width / Height (mm)	Type Designation	Article No.	Units per package
<b>Transparent Doors (Sheet Steel), IP30, BP-DT</b>			
<b>Rotary door handle, Grey</b>			
400 / 400	BP-DT-400/4	286728	1
400 / 700	BP-DT-400/7	286729	1
400 / 1000	BP-DT-400/10	286730	1
400 / 1200	BP-DT-400/12	286731	1
400 / 1500	BP-DT-400/15	286732	1
600 / 400	BP-DT-600/4	286733	1
600 / 700	BP-DT-600/7	286734	1
600 / 1000	BP-DT-600/10	286735	1
600 / 1200	BP-DT-600/12	286736	1
600 / 1500	BP-DT-600/15	286737	1
800 / 400	BP-DT-800/4	286738	1
800 / 700	BP-DT-800/7	286739	1
800 / 1000	BP-DT-800/10	286740	1
800 / 1200	BP-DT-800/12	286741	1
800 / 1500	BP-DT-800/15	286742	1
600+400L / 1000	BP-DT-600/10	286735	1
	BP-DT-400/10-L	293580	1
600+400L / 1200	BP-DT-600/12	286736	1
	BP-DT-400/12-L	293582	1
600+400L / 1500	BP-DT-600/15	286737	1
	BP-DT-400/15-L	293584	1
600+600L / 1200	BP-DT-600/12	286736	1
	BP-DT-600/12-L	293586	1
600+600L / 1500	BP-DT-600/15	286737	1
	BP-DT-600/15-L	293588	1
<b>Rotary door handle, White</b>			
400 / 400	BP-DT-400/4-W	292450	1
400 / 700	BP-DT-400/7-W	292451	1
400 / 1000	BP-DT-400/10-W	292452	1
400 / 1200	BP-DT-400/12-W	292453	1
400 / 1500	BP-DT-400/15-W	292454	1
600 / 400	BP-DT-600/4-W	292455	1
600 / 700	BP-DT-600/7-W	292456	1
600 / 1000	BP-DT-600/10-W	292457	1
600 / 1200	BP-DT-600/12-W	292458	1
600 / 1500	BP-DT-600/15-W	292459	1
800 / 400	BP-DT-800/4-W	292460	1
800 / 700	BP-DT-800/7-W	292461	1
800 / 1000	BP-DT-800/10-W	292462	1
800 / 1200	BP-DT-800/12-W	292463	1
800 / 1500	BP-DT-800/15-W	292464	1
600+400L / 1000	BP-DT-600/10-W	292457	1
	BP-DT-400/10-L-W	293581	1
600+400L / 1200	BP-DT-600/12-W	292458	1
	BP-DT-400/12-L-W	293583	1
600+400L / 1500	BP-DT-600/15-W	292459	1
	BP-DT-400/15-L-W	293585	1
600+600L / 1200	BP-DT-600/12-W	292458	1
	BP-DT-600/12-L-W	293587	1
600+600L / 1500	BP-DT-600/15-W	292459	1
	BP-DT-600/15-L-W	293589	1

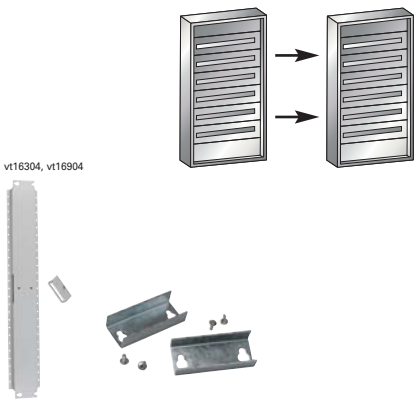
xEnergy  
Basic

# Distribution Boards

	Width (mm)	Type Designation	Article No.	Units per package																			
 <p>VT16204, VT17004</p> <p>VT03305, VT04005</p>	<b>Horizontal/Middle Add-on Connection Element, BP-MFL</b> <ul style="list-style-type: none"> <li>• for different widths</li> <li>• horiz. add-on connection element between 2 distr. boards (one on top of the other), screws incl.</li> <li>• for surface-mounted boards IP30</li> <li>• bottom panel of the top board and top panel of the bottom board are not used, one set is used for both connected boards</li> </ul>																						
	<b>Grey</b> <table border="1"> <tr> <td>400</td> <td>BP-MFL-400</td> <td>286743</td> <td>1</td> </tr> <tr> <td>600</td> <td>BP-MFL-600</td> <td>286744</td> <td>1</td> </tr> <tr> <td>800</td> <td>BP-MFL-800</td> <td>286745</td> <td>1</td> </tr> <tr> <td>1000</td> <td>BP-MFL-1000</td> <td>111431</td> <td>1</td> </tr> <tr> <td>1200</td> <td>BP-MFL-1200</td> <td>111432</td> <td>1</td> </tr> </table>				400	BP-MFL-400	286743	1	600	BP-MFL-600	286744	1	800	BP-MFL-800	286745	1	1000	BP-MFL-1000	111431	1	1200	BP-MFL-1200	111432
400	BP-MFL-400	286743	1																				
600	BP-MFL-600	286744	1																				
800	BP-MFL-800	286745	1																				
1000	BP-MFL-1000	111431	1																				
1200	BP-MFL-1200	111432	1																				
<b>White</b> <table border="1"> <tr> <td>400</td> <td>BP-MFL-400-W</td> <td>292465</td> <td>1</td> </tr> <tr> <td>600</td> <td>BP-MFL-600-W</td> <td>292466</td> <td>1</td> </tr> <tr> <td>800</td> <td>BP-MFL-800-W</td> <td>292467</td> <td>1</td> </tr> <tr> <td>1000</td> <td>BP-MFL-1000-W</td> <td>111433</td> <td>1</td> </tr> <tr> <td>1200</td> <td>BP-MFL-1200-W</td> <td>111434</td> <td>1</td> </tr> </table>				400	BP-MFL-400-W	292465	1	600	BP-MFL-600-W	292466	1	800	BP-MFL-800-W	292467	1	1000	BP-MFL-1000-W	111433	1	1200	BP-MFL-1200-W	111434	1
400	BP-MFL-400-W	292465	1																				
600	BP-MFL-600-W	292466	1																				
800	BP-MFL-800-W	292467	1																				
1000	BP-MFL-1000-W	111433	1																				
1200	BP-MFL-1200-W	111434	1																				
	Height (mm)	Type Designation	Article No.	Units per package																			
 <p>VT16304, VT16904</p> <p>VT03405, VT16904</p>	<b>Vertical/Middle Add-on Connection Element, BP-MSL</b> <ul style="list-style-type: none"> <li>• for different heights</li> <li>• vert. add-on connection element between 2 distr. boards (one next to the other), screws incl.</li> <li>• for surface-mounted boards IP30</li> <li>• for connection of boards with side panel BP-SP</li> <li>• inner side panel are not used, one set is used for both connected boards</li> <li>• to preserve max. opening angle the left board must have left closing door and the right board must have right closing door</li> <li>• add-on with side panel BP-SP</li> </ul>																						
	<b>Grey</b> <table border="1"> <tr> <td>460</td> <td>BP-MSL-4</td> <td>286746</td> <td>1</td> </tr> <tr> <td>760</td> <td>BP-MSL-7</td> <td>286747</td> <td>1</td> </tr> <tr> <td>1060</td> <td>BP-MSL-10</td> <td>286748</td> <td>1</td> </tr> <tr> <td>1260</td> <td>BP-MSL-12</td> <td>286749</td> <td>1</td> </tr> <tr> <td>1560</td> <td>BP-MSL-15</td> <td>286750</td> <td>1</td> </tr> </table>				460	BP-MSL-4	286746	1	760	BP-MSL-7	286747	1	1060	BP-MSL-10	286748	1	1260	BP-MSL-12	286749	1	1560	BP-MSL-15	286750
460	BP-MSL-4	286746	1																				
760	BP-MSL-7	286747	1																				
1060	BP-MSL-10	286748	1																				
1260	BP-MSL-12	286749	1																				
1560	BP-MSL-15	286750	1																				
<b>White</b> <table border="1"> <tr> <td>460</td> <td>BP-MSL-4-W</td> <td>292468</td> <td>1</td> </tr> <tr> <td>760</td> <td>BP-MSL-7-W</td> <td>292469</td> <td>1</td> </tr> <tr> <td>1060</td> <td>BP-MSL-10-W</td> <td>292470</td> <td>1</td> </tr> <tr> <td>1260</td> <td>BP-MSL-12-W</td> <td>292471</td> <td>1</td> </tr> <tr> <td>1560</td> <td>BP-MSL-15-W</td> <td>292472</td> <td>1</td> </tr> </table>				460	BP-MSL-4-W	292468	1	760	BP-MSL-7-W	292469	1	1060	BP-MSL-10-W	292470	1	1260	BP-MSL-12-W	292471	1	1560	BP-MSL-15-W	292472	1
460	BP-MSL-4-W	292468	1																				
760	BP-MSL-7-W	292469	1																				
1060	BP-MSL-10-W	292470	1																				
1260	BP-MSL-12-W	292471	1																				
1560	BP-MSL-15-W	292472	1																				

# Distribution Boards

Height (mm)	Type Designation	Article No.	Units per package
<b>Vertical/Middle Add-on Connection Element, BP-MSL-MSW</b>			
<ul style="list-style-type: none"> <li>• for different heights</li> <li>• vert. add-on connection element between 2 distr. boards (one next to the other), screws incl. for MSW applications</li> <li>• for surface-mounted boards IP30</li> <li>• for connection of boards with side panel BP-SP-...-MSW</li> <li>• inner side panel are not used, one set is used for both connected boards</li> <li>• to preserve max. opening angle the left board must have left closing door and the right board must have right closing door</li> </ul>			
<b>Grey</b>			
460	BP-MSL-MSW-4	111419	1
760	BP-MSL-MSW-7	111421	1
1060	BP-MSL-MSW-10	111422	1
1260	BP-MSL-MSW-12	111423	1
1560	BP-MSL-MSW-15	111424	1
<b>White</b>			
460	BP-MSL-MSW-4-W	111425	1
760	BP-MSL-MSW-7-W	111427	1
1060	BP-MSL-MSW-10-W	111428	1
1260	BP-MSL-MSW-12-W	111429	1
1560	BP-MSL-MSW-15-W	111430	1



# Distribution Boards

## Moisture Proof-Surface Mounting Installation Distribution Boards IP54, BPM-O-...

- welded construction with door and two-way key bit
- open cable entry above, prepared for F3A-Flanges
- interior fitting system possible via MSW or Towers
- to assemble with MSW, 2 pair Corner Tower Sets BPZ-CTS-S and 1 piece Snap Element BPZ-SNAP-MSW-CTS have to be ordered separately
- to assemble on the main frame 2 pieces Frontplate Support BPZ-FPS have to be ordered separately

wa\_vt17413



wa\_vt17513



Width / Outside Height / Frontplate Height (mm)	Type Designation	Article No.	Units per package
---	------------------	-------------	-------------------

### Two-way key bit, Grey

400 / 460 / 350	BPM-O-400/4	110837	1
400 / 760 / 650	BPM-O-400/7	110838	1
400 / 1060 / 950	BPM-O-400/10	110839	1
400 / 1260 / 1150	BPM-O-400/12	111020	1
400 / 1560 / 1450	BPM-O-400/15	111021	1
600 / 460 / 350	BPM-O-600/4	111022	1
600 / 760 / 650	BPM-O-600/7	111023	1
600 / 1060 / 950	BPM-O-600/10	111024	1
600 / 1260 / 1150	BPM-O-600/12	111025	1
600 / 1560 / 1450	BPM-O-600/15	111026	1
800 / 460 / 350	BPM-O-800/4	111027	1
800 / 760 / 650	BPM-O-800/7	111028	1
800 / 1060 / 950	BPM-O-800/10	111029	1
800 / 1260 / 1150	BPM-O-800/12	111030	1
800 / 1560 / 1450	BPM-O-800/15	111031	1
1000 / 1060 / 950	BPM-O-1000/10	111032	1
1000 / 1260 / 1150	BPM-O-1000/12	111033	1
1000 / 1560 / 1450	BPM-O-1000/15	111034	1
1200 / 1260 / 1150	BPM-O-1200/12	111035	1
1200 / 1560 / 1450	BPM-O-1200/15	111036	1

### Two-way key bit, White

400 / 460 / 350	BPM-O-400/4-W	111057	1
400 / 760 / 650	BPM-O-400/7-W	111058	1
400 / 1060 / 950	BPM-O-400/10-W	111059	1
400 / 1260 / 1150	BPM-O-400/12-W	111060	1
400 / 1560 / 1450	BPM-O-400/15-W	111061	1
600 / 460 / 350	BPM-O-600/4-W	111062	1
600 / 760 / 650	BPM-O-600/7-W	111063	1
600 / 1060 / 950	BPM-O-600/10-W	111064	1
600 / 1260 / 1150	BPM-O-600/12-W	111065	1
600 / 1560 / 1450	BPM-O-600/15-W	111066	1
800 / 460 / 350	BPM-O-800/4-W	111067	1
800 / 760 / 650	BPM-O-800/7-W	111068	1
800 / 1060 / 950	BPM-O-800/10-W	111069	1
800 / 1260 / 1150	BPM-O-800/12-W	111070	1
800 / 1560 / 1450	BPM-O-800/15-W	111071	1
1000 / 1060 / 950	BPM-O-1000/10-W	111072	1
1000 / 1260 / 1150	BPM-O-1000/12-W	111073	1
1000 / 1560 / 1450	BPM-O-1000/15-W	111074	1
1200 / 1260 / 1150	BPM-O-1200/12-W	111075	1
1200 / 1560 / 1450	BPM-O-1200/15-W	111076	1

# Distribution Boards

wa\_vt08514



Width / Outside Height / Frontplate Height (mm)	Type Designation	Article No.	Units per package
<b>Clip-down handle, Grey</b>			
400 / 460 / 350	BPM-O-400/4-P	116653	1
400 / 760 / 650	BPM-O-400/7-P	116654	1
400 / 1060 / 950	BPM-O-400/10-P	116655	1
400 / 1260 / 1150	BPM-O-400/12-P	116656	1
400 / 1560 / 1450	BPM-O-400/15-P	116657	1
600 / 460 / 350	BPM-O-600/4-P	116658	1
600 / 760 / 650	BPM-O-600/7-P	116659	1
600 / 1060 / 950	BPM-O-600/10-P	116660	1
600 / 1260 / 1150	BPM-O-600/12-P	116661	1
600 / 1560 / 1450	BPM-O-600/15-P	116662	1
800 / 460 / 350	BPM-O-800/4-P	116663	1
800 / 760 / 650	BPM-O-800/7-P	116664	1
800 / 1060 / 950	BPM-O-800/10-P	116665	1
800 / 1260 / 1150	BPM-O-800/12-P	116666	1
800 / 1560 / 1450	BPM-O-800/15-P	116667	1
1000 / 1060 / 950	BPM-O-1000/10-P	116668	1
1000 / 1260 / 1150	BPM-O-1000/12-P	116669	1
1000 / 1560 / 1450	BPM-O-1000/15-P	116670	1
1200 / 1260 / 1150	BPM-O-1200/12-P	116671	1
1200 / 1560 / 1450	BPM-O-1200/15-P	116672	1

VT104414



Width / Outside Height / Frontplate Height (mm)	Type Designation	Article No.	Units per package
<b>Basic Enclosure without door, Grey</b>			
600 / 760 / 650	BPM-O-600/7-F	174358	1
600 / 1060 / 950	BPM-O-600/10-F	174359	1
600 / 1260 / 1150	BPM-O-600/12-F	174360	1
600 / 1560 / 1450	BPM-O-600/15-F	174361	1
800 / 1060 / 950	BPM-O-800/10-F	174364	1
800 / 1260 / 1150	BPM-O-800/12-F	174365	1
800 / 1560 / 1450	BPM-O-800/15-F	174366	1
1000 / 1560 / 1450	BPM-O-1000/15-F	174369	1

VT104914



Width / Height (mm)	Type Designation	Article No.	Units per package
<b>Steel sheet Doors with clip-down handle, Grey, IP54, BPZ-DMS</b>			
570 / 730	BPZ-DMS-600/7-P	174372	1
570 / 1030	BPZ-DMS-600/10-P	174373	1
570 / 1230	BPZ-DMS-600/12-P	174374	1
570 / 1530	BPZ-DMS-600/15-P	174341	1
770 / 1030	BPZ-DMS-800/10-P	174344	1
770 / 1230	BPZ-DMS-800/12-P	174345	1
770 / 1530	BPZ-DMS-800/15-P	174346	1
600+370 / 1530	BPZ-DMS-1000/15-P	174349	1

xEnergy  
Basic

# Distribution Boards

VT33914



VT32514



Width / Height (mm)	Type Designation	Article No.	Units per package
<b>Transparent Doors (steel sheet) with clip-down handle, Grey, IP54, BPZ-DMT</b>			
370 / 430	BPZ-DMT-400/4-P	173575	1
370 / 730	BPZ-DMT-400/7-P	173576	1
370 / 1030	BPZ-DMT-400/10-P	173577	1
370 / 1230	BPZ-DMT-400/12-P	173578	1
370 / 1530	BPZ-DMT-400/15-P	173579	1
570 / 430	BPZ-DMT-600/4-P	173580	1
570 / 730	BPZ-DMT-600/7-P	173581	1
570 / 1030	BPZ-DMT-600/10-P	173582	1
570 / 1230	BPZ-DMT-600/12-P	173583	1
570 / 1530	BPZ-DMT-600/15-P	173584	1
770 / 430	BPZ-DMT-800/4-P	173587	1
770 / 730	BPZ-DMT-800/7-P	173588	1
770 / 1030	BPZ-DMT-800/10-P	173589	1
770 / 1230	BPZ-DMT-800/12-P	173590	1
770 / 1530	BPZ-DMT-800/15-P	173591	1
600+370 / 1030	BPZ-DMT-1000/10-P	173594	1
600+370 / 1230	BPZ-DMT-1000/12-P	173595	1
600+370 / 1530	BPZ-DMT-1000/15-P	173596	1
600+570 / 1230	BPZ-DMT-1200/12-P	173599	1
600+570 / 1530	BPZ-DMT-1200/15-P	173600	1



# Distribution Boards

## Flush-Mounting Installation Distribution Boards-Fully Assembled, IP30, **BP-U-...-C**

- including wall-box, top/bottom panels for the wall-Box , flush-mounting door frame and mounting side wall
- only for MSW mounting
- installation depth 240 mm
- including DIN-rail sets
- including front plates (150 mm) with device cutout (45 mm)

wa\_vt04113



wa\_vt04213



Width / Outside Height (mm) / MU / Rows	Type Designation	Article No.	Units per package
---	------------------	-------------	-------------------

### Rotary door handle, Grey

600 / 700 / 96 / 4	BP-U-600/7-C	293315	1
600 / 1000 / 144 / 6	BP-U-600/10-C	293316	1
600 / 1200 / 168 / 7	BP-U-600/12-C	293317	1
600 / 1500 / 216 / 9	BP-U-600/15-C	293318	1
800 / 700 / 140 / 4	BP-U-800/7-C	293319	1
800 / 1000 / 210 / 6	BP-U-800/10-C	293320	1
800 / 1200 / 245 / 7	BP-U-800/12-C	293321	1
800 / 1500 / 315 / 9	BP-U-800/15-C	293322	1

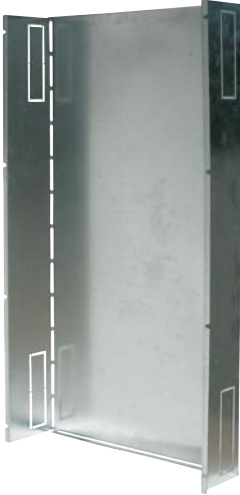
### Rotary door handle, White

600 / 700 / 96 / 4	BP-U-600/7-C-W	105937	1
600 / 1000 / 144 / 6	BP-U-600/10-C-W	105938	1
600 / 1200 / 168 / 7	BP-U-600/12-C-W	105939	1
600 / 1500 / 216 / 9	BP-U-600/15-C-W	105940	1
800 / 700 / 140 / 4	BP-U-800/7-C-W	105941	1
800 / 1000 / 210 / 6	BP-U-800/10-C-W	105942	1
800 / 1200 / 245 / 7	BP-U-800/12-C-W	105943	1
800 / 1500 / 315 / 9	BP-U-800/15-C-W	105944	1

# Distribution Boards

## Flush-Mounting Installation Distribution Boards - 2-Step System

wa\_vt04513



Width / Outside Height (mm)      Type Designation      Article No.      Units per package

### Wall Box - for 2-Step System, BPZ-WBO2S

- without top/bottom panel

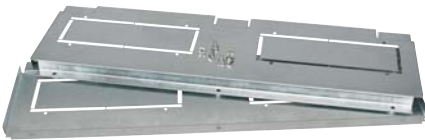
#### Depth 1 (180 mm)

400 / 400	BPZ-WBO2S-400/4/1	293349	1
400 / 700	BPZ-WBO2S-400/7/1	293351	1
400 / 1000	BPZ-WBO2S-400/10/1	293353	1
400 / 1200	BPZ-WBO2S-400/12/1	293355	1
600 / 400	BPZ-WBO2S-600/4/1	293357	1
600 / 700	BPZ-WBO2S-600/7/1	293359	1
600 / 1000	BPZ-WBO2S-600/10/1	293361	1
600 / 1200	BPZ-WBO2S-600/12/1	293363	1
600 / 1500	BPZ-WBO2S-600/15/1	293365	1
800 / 700	BPZ-WBO2S-800/7/1	293371	1
800 / 1000	BPZ-WBO2S-800/10/1	293373	1
800 / 1200	BPZ-WBO2S-800/12/1	293375	1
800 / 1500	BPZ-WBO2S-800/15/1	293377	1
1000 / 1000	BPZ-WBO2S-1000/10/1	293383	1
1000 / 1200	BPZ-WBO2S-1000/12/1	293385	1
1000 / 1500	BPZ-WBO2S-1000/15/1	293387	1
1200 / 1200	BPZ-WBO2S-1200/12/1	293393	1
1200 / 1500	BPZ-WBO2S-1200/15/1	293395	1

#### Depth 2 (240 mm)

400 / 400	BPZ-WBO2S-400/4/2	293350	1
400 / 700	BPZ-WBO2S-400/7/2	293352	1
400 / 1000	BPZ-WBO2S-400/10/2	293354	1
400 / 1200	BPZ-WBO2S-400/12/2	293356	1
600 / 400	BPZ-WBO2S-600/4/2	293358	1
600 / 700	BPZ-WBO2S-600/7/2	293360	1
600 / 1000	BPZ-WBO2S-600/10/2	293362	1
600 / 1200	BPZ-WBO2S-600/12/2	293364	1
600 / 1500	BPZ-WBO2S-600/15/2	293366	1
800 / 700	BPZ-WBO2S-800/7/2	293372	1
800 / 1000	BPZ-WBO2S-800/10/2	293374	1
800 / 1200	BPZ-WBO2S-800/12/2	293376	1
800 / 1500	BPZ-WBO2S-800/15/2	293378	1
1000 / 1000	BPZ-WBO2S-1000/10/2	293384	1
1000 / 1200	BPZ-WBO2S-1000/12/2	293386	1
1000 / 1500	BPZ-WBO2S-1000/15/2	293388	1
1200 / 1200	BPZ-WBO2S-1200/12/2	293394	1
1200 / 1500	BPZ-WBO2S-1200/15/2	293396	1

VT07005



Width (mm) / Depth      Type Designation      Article No.      Units per package

### Top/Bottom Panel for Wall Box, Depth 2 (240 mm), BPZ-WB2STBP

400 / 2	BPZ-WB2STBP-400/2	293401	1
600 / 2	BPZ-WB2STBP-600/2	293402	1
800 / 2	BPZ-WB2STBP-800/2	293403	1
1000 / 2	BPZ-WB2STBP-1000/2	293404	1
1200 / 2	BPZ-WB2STBP-1200/2	293405	1

# Distribution Boards

wa\_vt04313



wa\_vt04413



Width / Outside Height / Front plate Height (mm)	Type Designation	Article No.	Units per package
<b>2-Step Flush-Mounting Door Frame, with Door, BP-U</b>			
<b>Rotary door handle, Grey</b>			
400 / 400 / 350	BP-U-400/4	100977	1
400 / 700 / 650	BP-U-400/7	100978	1
400 / 1000 / 950	BP-U-400/10	100979	1
400 / 1200 / 1150	BP-U-400/12	100980	1
600 / 400 / 350	BP-U-600/4	100981	1
600 / 700 / 650	BP-U-600/7	100982	1
600 / 1000 / 950	BP-U-600/10	100983	1
600 / 1200 / 1150	BP-U-600/12	100984	1
600 / 1500 / 1450	BP-U-600/15	100985	1
800 / 700 / 650	BP-U-800/7	100986	1
800 / 1000 / 950	BP-U-800/10	100987	1
800 / 1200 / 1150	BP-U-800/12	100988	1
800 / 1500 / 1450	BP-U-800/15	100989	1
1000 / 1000 / 950	BP-U-1000/10	100990	1
1000 / 1200 / 1150	BP-U-1000/12	100991	1
1000 / 1500 / 1450	BP-U-1000/15	100992	1
1200 / 1200 / 1150	BP-U-1200/12	100993	1
1200 / 1500 / 1450	BP-U-1200/15	100994	1

wa\_vt51513



Frontplate Height (mm)	Type Designation	Article No.	Units per package
<b>Mounting Side Wall, BPZ-MSW</b>			
<ul style="list-style-type: none"> <li>• application without snap element, fixed mounting</li> <li>• enable assembling into mounting frame and connection of devices outside of the board</li> <li>• for assembling of inner equipment into flush-mounted boards</li> <li>• enables also a comfort assembling of installation devices into surface-mounted and floor-standing boards</li> </ul>			
350	BPZ-MSW-4	293406	1 pair
650	BPZ-MSW-7	293407	1 pair
950	BPZ-MSW-10	293408	1 pair
1150	BPZ-MSW-12	293409	1 pair
1450	BPZ-MSW-15	293410	1 pair
1650	BPZ-MSW-17	293411	1 pair
1950	BPZ-MSW-20	293412	1 pair

xEnergy  
Basic

# Distribution Boards

## Flush-Mounting Installation Distribution Boards - 3-Step System

- only MSW mounting

wa\_vt17913



Width / Outside Height (mm)	Type Designation	Article No.	Units per package
-----------------------------	------------------	-------------	-------------------

### Wall Box - for 3-Step System, BPZ-WB03S

#### Depth 1 (180 mm)

400 / 460	BPZ-WB3S-400/4/1	111097	1
400 / 760	BPZ-WB3S-400/7/1	111098	1
400 / 1060	BPZ-WB3S-400/10/1	111099	1
400 / 1260	BPZ-WB3S-400/12/1	111100	1
600 / 460	BPZ-WB3S-600/4/1	111101	1
600 / 760	BPZ-WB3S-600/7/1	111102	1
600 / 1060	BPZ-WB3S-600/10/1	111103	1
600 / 1260	BPZ-WB3S-600/12/1	111104	1
600 / 1560	BPZ-WB3S-600/15/1	111105	1
600 / 1760	BPZ-WB3S-600/17/1	111106	1
600 / 2060	BPZ-WB3S-600/20/1	111107	1
800 / 760	BPZ-WB3S-800/7/1	111108	1
800 / 1060	BPZ-WB3S-800/10/1	111109	1
800 / 1260	BPZ-WB3S-800/12/1	111110	1
800 / 1560	BPZ-WB3S-800/15/1	111111	1
800 / 1760	BPZ-WB3S-800/17/1	111112	1
800 / 2060	BPZ-WB3S-800/20/1	111113	1
1000 / 1060	BPZ-WB3S-1000/10/1	111114	1
1000 / 1260	BPZ-WB3S-1000/12/1	111115	1
1000 / 1560	BPZ-WB3S-1000/15/1	111116	1
1000 / 1760	BPZ-WB3S-1000/17/1	111117	1
1000 / 2060	BPZ-WB3S-1000/20/1	111118	1
1200 / 1260	BPZ-WB3S-1200/12/1	111119	1
1200 / 1560	BPZ-WB3S-1200/15/1	111120	1
1200 / 1760	BPZ-WB3S-1200/17/1	111121	1
1200 / 2060	BPZ-WB3S-1200/20/1	111122	1

#### Depth 2 (240 mm)

400 / 460	BPZ-WB3S-400/4/2	111123	1
400 / 760	BPZ-WB3S-400/7/2	111124	1
400 / 1060	BPZ-WB3S-400/10/2	111125	1
400 / 1260	BPZ-WB3S-400/12/2	111126	1
600 / 460	BPZ-WB3S-600/4/2	111127	1
600 / 760	BPZ-WB3S-600/7/2	111128	1
600 / 1060	BPZ-WB3S-600/10/2	111129	1
600 / 1260	BPZ-WB3S-600/12/2	111130	1
600 / 1560	BPZ-WB3S-600/15/2	111131	1
600 / 1760	BPZ-WB3S-600/17/2	111132	1
600 / 2060	BPZ-WB3S-600/20/2	111133	1
800 / 760	BPZ-WB3S-800/7/2	111134	1
800 / 1060	BPZ-WB3S-800/10/2	111135	1
800 / 1260	BPZ-WB3S-800/12/2	111136	1
800 / 1560	BPZ-WB3S-800/15/2	111137	1
800 / 1760	BPZ-WB3S-800/17/2	111138	1
800 / 2060	BPZ-WB3S-800/20/2	111139	1
1000 / 1060	BPZ-WB3S-1000/10/2	111140	1
1000 / 1260	BPZ-WB3S-1000/12/2	111141	1
1000 / 1560	BPZ-WB3S-1000/15/2	111142	1
1000 / 1760	BPZ-WB3S-1000/17/2	111143	1
1000 / 2060	BPZ-WB3S-1000/20/2	111144	1
1200 / 1260	BPZ-WB3S-1200/12/2	111145	1
1200 / 1560	BPZ-WB3S-1200/15/2	111146	1
1200 / 1760	BPZ-WB3S-1200/17/2	111147	1
1200 / 2060	BPZ-WB3S-1200/20/2	111148	1

Depth (mm)	Type Designation	Article No.	Units per package
------------	------------------	-------------	-------------------

### Coupling Flange, BPZ-BR/WB3S/

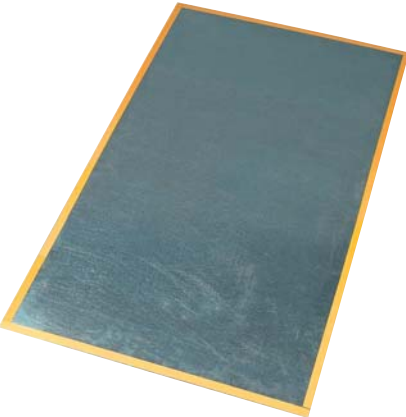

- for mutual connection of wall boxes BPZ-WB3S
- defines respective distance between wall boxes

180	BPZ-BR/WB3S/1	111337	1
240	BPZ-BR/WB3S/2	111338	1

VT11807



# Distribution Boards

	Width / Height (mm)	Type Designation	Article No.	Units per package
	<b>Rear Walls, BPZ-RP..</b>			
	<b>Steel Sheet</b>			
VT1298 	400 / 460	BPZ-RP-400/4	111285	1
	400 / 760	BPZ-RP-400/7	111286	1
	400 / 1060	BPZ-RP-400/10	111287	1
	400 / 1260	BPZ-RP-400/12	111288	1
	600 / 460	BPZ-RP-600/4	111289	1
	600 / 760	BPZ-RP-600/7	111290	1
	600 / 1060	BPZ-RP-600/10	111291	1
	600 / 1260	BPZ-RP-600/12	111292	1
	600 / 1560	BPZ-RP-600/15	111293	1
	600 / 1760	BPZ-RP-600/17	111294	1
	600 / 2060	BPZ-RP-600/20	111295	1
	800 / 760	BPZ-RP-800/7	111296	1
	800 / 1060	BPZ-RP-800/10	111297	1
	800 / 1260	BPZ-RP-800/12	111298	1
	800 / 1560	BPZ-RP-800/15	111299	1
	800 / 1760	BPZ-RP-800/17	111300	1
	800 / 2060	BPZ-RP-800/20	111301	1
	1000 / 1060	BPZ-RP-1000/10	111302	1
	1000 / 1260	BPZ-RP-1000/12	111303	1
	1000 / 1560	BPZ-RP-1000/15	111304	1
1000 / 1760	BPZ-RP-1000/17	111305	1	
1000 / 2060	BPZ-RP-1000/20	111306	1	
1200 / 1260	BPZ-RP-1200/12	111307	1	
1200 / 1560	BPZ-RP-1200/15	111308	1	
1200 / 1760	BPZ-RP-1200/17	111309	1	
1200 / 2060	BPZ-RP-1200/20	111310	1	
	<b>Plastic</b>			
VT1398 	400 / 460	BPZ-RPP-400/4	111311	1
	400 / 760	BPZ-RPP-400/7	111312	1
	400 / 1060	BPZ-RPP-400/10	111313	1
	400 / 1260	BPZ-RPP-400/12	111314	1
	600 / 460	BPZ-RPP-600/4	111315	1
	600 / 760	BPZ-RPP-600/7	111316	1
	600 / 1060	BPZ-RPP-600/10	111317	1
	600 / 1260	BPZ-RPP-600/12	111318	1
	600 / 1560	BPZ-RPP-600/15	111319	1
	600 / 1760	BPZ-RPP-600/17	111320	1
	600 / 2060	BPZ-RPP-600/20	111321	1
	800 / 760	BPZ-RPP-800/7	111322	1
	800 / 1060	BPZ-RPP-800/10	111323	1
	800 / 1260	BPZ-RPP-800/12	111324	1
	800 / 1560	BPZ-RPP-800/15	111325	1
	800 / 1760	BPZ-RPP-800/17	111326	1
	800 / 2060	BPZ-RPP-800/20	111327	1
	1000 / 1060	BPZ-RPP-1000/10	111328	1
	1000 / 1260	BPZ-RPP-1000/12	111329	1
	1000 / 1560	BPZ-RPP-1000/15	111330	1
1000 / 1760	BPZ-RPP-1000/17	111331	1	
1000 / 2060	BPZ-RPP-1000/20	111332	1	
1200 / 1260	BPZ-RPP-1200/12	111333	1	
1200 / 1560	BPZ-RPP-1200/15	111334	1	
1200 / 1760	BPZ-RPP-1200/17	111335	1	
1200 / 2060	BPZ-RPP-1200/20	111336	1	

xEnergy  
Basic

# Distribution Boards

wa\_v17613



Width / Outside Height / Front plate Height (mm)	Type Designation	Article No.	Units per package
<b>3-Step Flush-Mounting Door Frame IP30, with Door, BP-U-3S...</b>			
<b>Rotary door handle, Grey</b>			
400 / 460 / 350	BP-U-3S-400/4	111149	1
400 / 760 / 650	BP-U-3S-400/7	111150	1
400 / 1060 / 950	BP-U-3S-400/10	111151	1
400 / 1260 / 1150	BP-U-3S-400/12	111152	1
600 / 460 / 350	BP-U-3S-600/4	111153	1
600 / 760 / 650	BP-U-3S-600/7	111154	1
600 / 1060 / 950	BP-U-3S-600/10	111155	1
600 / 1260 / 1150	BP-U-3S-600/12	111156	1
600 / 1560 / 1450	BP-U-3S-600/15	111157	1
600 / 1760 / 1650	BP-U-3S-600/17	111158	1
600 / 2060 / 1950	BP-U-3S-600/20	111159	1
800 / 760 / 650	BP-U-3S-800/7	111162	1
800 / 1060 / 950	BP-U-3S-800/10	111163	1
800 / 1260 / 1150	BP-U-3S-800/12	111164	1
800 / 1560 / 1450	BP-U-3S-800/15	111165	1
800 / 1760 / 1650	BP-U-3S-800/17	111166	1
800 / 2070 / 1950	BP-U-3S-800/20	111167	1
1000 / 1060 / 950	BP-U-3S-1000/10	111170	1
1000 / 1260 / 1150	BP-U-3S-1000/12	111171	1
1000 / 1560 / 1450	BP-U-3S-1000/15	111172	1
1000 / 1760 / 1650	BP-U-3S-1000/17	111173	1
1000 / 2060 / 1950	BP-U-3S-1000/20	111174	1
1200 / 1260 / 1150	BP-U-3S-1200/12	111177	1
1200 / 1560 / 1450	BP-U-3S-1200/15	111178	1
1200 / 1760 / 1650	BP-U-3S-1200/17	111179	1
1200 / 2060 / 1950	BP-U-3S-1200/20	111180	1
<b>Rotary door handle, White</b>			
400 / 460 / 350	BP-U-3S-400/4-W	111183	1
400 / 760 / 650	BP-U-3S-400/7-W	111184	1
400 / 1060 / 950	BP-U-3S-400/10-W	111185	1
400 / 1260 / 1150	BP-U-3S-400/12-W	111186	1
600 / 460 / 350	BP-U-3S-600/4-W	111187	1
600 / 760 / 650	BP-U-3S-600/7-W	111188	1
600 / 1060 / 950	BP-U-3S-600/10-W	111189	1
600 / 1260 / 1150	BP-U-3S-600/12-W	111190	1
600 / 1560 / 1450	BP-U-3S-600/15-W	111191	1
600 / 1760 / 1650	BP-U-3S-600/17-W	111192	1
600 / 2060 / 1950	BP-U-3S-600/20-W	111193	1
800 / 760 / 650	BP-U-3S-800/7-W	111196	1
800 / 1060 / 950	BP-U-3S-800/10-W	111197	1
800 / 1260 / 1150	BP-U-3S-800/12-W	111198	1
800 / 1560 / 1450	BP-U-3S-800/15-W	111199	1
800 / 1760 / 1650	BP-U-3S-800/17-W	111200	1
800 / 2070 / 1950	BP-U-3S-800/20-W	111201	1
1000 / 1060 / 950	BP-U-3S-1000/10-W	111204	1
1000 / 1260 / 1150	BP-U-3S-1000/12-W	111205	1
1000 / 1560 / 1450	BP-U-3S-1000/15-W	111206	1
1000 / 1760 / 1650	BP-U-3S-1000/17-W	111207	1
1000 / 2060 / 1950	BP-U-3S-1000/20-W	111208	1
1200 / 1260 / 1150	BP-U-3S-1200/12-W	111211	1
1200 / 1560 / 1450	BP-U-3S-1200/15-W	111212	1
1200 / 1760 / 1650	BP-U-3S-1200/17-W	111213	1
1200 / 2060 / 1950	BP-U-3S-1200/20-W	111214	1

# Distribution Boards

wa\_v123913



Width / Outside Height / Front plate Height (mm)	Type Designation	Article No.	Units per package
<b>Clip-down handle, Grey</b>			
400 / 460 / 350	BP-U-3S-400/4-P	119093	1
400 / 760 / 650	BP-U-3S-400/7-P	119094	1
400 / 1060 / 950	BP-U-3S-400/10-P	119095	1
400 / 1260 / 1150	BP-U-3S-400/12-P	119096	1
600 / 460 / 350	BP-U-3S-600/4-P	119097	1
600 / 760 / 650	BP-U-3S-600/7-P	119098	1
600 / 1060 / 950	BP-U-3S-600/10-P	119099	1
600 / 1260 / 1150	BP-U-3S-600/12-P	119100	1
600 / 1560 / 1450	BP-U-3S-600/15-P	119101	1
600 / 1760 / 1650	BP-U-3S-600/17-P	111160	1
600 / 2060 / 1950	BP-U-3S-600/20-P	111161	1
800 / 760 / 650	BP-U-3S-800/7-P	119102	1
800 / 1060 / 950	BP-U-3S-800/10-P	119103	1
800 / 1260 / 1150	BP-U-3S-800/12-P	119104	1
800 / 1560 / 1450	BP-U-3S-800/15-P	119105	1
800 / 1760 / 1650	BP-U-3S-800/17-P	111168	1
800 / 2070 / 1950	BP-U-3S-800/20-P	111169	1
1000 / 1060 / 950	BP-U-3S-1000/10-P	119106	1
1000 / 1260 / 1150	BP-U-3S-1000/12-P	119107	1
1000 / 1560 / 1450	BP-U-3S-1000/15-P	119108	1
1000 / 1760 / 1650	BP-U-3S-1000/17-P	111175	1
1000 / 2060 / 1950	BP-U-3S-1000/20-P	111176	1
1200 / 1260 / 1150	BP-U-3S-1200/12-P	119109	1
1200 / 1560 / 1450	BP-U-3S-1200/15-P	119110	1
1200 / 1760 / 1650	BP-U-3S-1200/17-P	111181	1
1200 / 2060 / 1950	BP-U-3S-1200/20-P	111182	1
<b>Clip-down handle, White</b>			
400 / 460 / 350	BP-U-3S-400/4-P-W	119111	1
400 / 760 / 650	BP-U-3S-400/7-P-W	119112	1
400 / 1060 / 950	BP-U-3S-400/10-P-W	119113	1
400 / 1260 / 1150	BP-U-3S-400/12-P-W	119114	1
600 / 460 / 350	BP-U-3S-600/4-P-W	119115	1
600 / 760 / 650	BP-U-3S-600/7-P-W	119116	1
600 / 1060 / 950	BP-U-3S-600/10-P-W	119117	1
600 / 1260 / 1150	BP-U-3S-600/12-P-W	119118	1
600 / 1560 / 1450	BP-U-3S-600/15-P-W	119119	1
600 / 1760 / 1650	BP-U-3S-600/17-P-W	111194	1
600 / 2060 / 1950	BP-U-3S-600/20-P-W	111195	1
800 / 760 / 650	BP-U-3S-800/7-P-W	119120	1
800 / 1060 / 950	BP-U-3S-800/10-P-W	119121	1
800 / 1260 / 1150	BP-U-3S-800/12-P-W	119122	1
800 / 1560 / 1450	BP-U-3S-800/15-P-W	119123	1
800 / 1760 / 1650	BP-U-3S-800/17-P-W	111202	1
800 / 2070 / 1950	BP-U-3S-800/20-P-W	111203	1
1000 / 1060 / 950	BP-U-3S-1000/10-P-W	119124	1
1000 / 1260 / 1150	BP-U-3S-1000/12-P-W	119125	1
1000 / 1560 / 1450	BP-U-3S-1000/15-P-W	119126	1
1000 / 1760 / 1650	BP-U-3S-1000/17-P-W	111209	1
1000 / 2060 / 1950	BP-U-3S-1000/20-P-W	111210	1
1200 / 1260 / 1150	BP-U-3S-1200/12-P-W	119127	1
1200 / 1560 / 1450	BP-U-3S-1200/15-P-W	119128	1
1200 / 1760 / 1650	BP-U-3S-1200/17-P-W	111215	1
1200 / 2060 / 1950	BP-U-3S-1200/20-P-W	111216	1

xEnergy  
Basic

# Distribution Boards

wa\_v123913



Width / Outside Height / Front plate Height (mm)	Type Designation	Article No.	Units per package
<b>3-Step Flush-Mounting Door Frame IP30, with Door, fireproof, BP-U-3S...-EW</b>			
<b>Rotary door handle, Grey</b>			
400 / 460 / 350	BP-U-3S-400/4-EW	116570	1
400 / 760 / 650	BP-U-3S-400/7-EW	116571	1
400 / 1060 / 950	BP-U-3S-400/10-EW	116572	1
400 / 1260 / 1150	BP-U-3S-400/12-EW	116573	1
600 / 460 / 350	BP-U-3S-600/4-EW	116574	1
600 / 760 / 650	BP-U-3S-600/7-EW	116575	1
600 / 1060 / 950	BP-U-3S-600/10-EW	116576	1
600 / 1260 / 1150	BP-U-3S-600/12-EW	116577	1
600 / 1560 / 1450	BP-U-3S-600/15-EW	116578	1
600 / 1760 / 1650	BP-U-3S-600/17-EW	116579	1
600 / 2060 / 1950	BP-U-3S-600/20-EW	116580	1
800 / 760 / 650	BP-U-3S-800/7-EW	116581	1
800 / 1060 / 950	BP-U-3S-800/10-EW	116582	1
800 / 1260 / 1150	BP-U-3S-800/12-EW	116583	1
800 / 1560 / 1450	BP-U-3S-800/15-EW	116584	1
800 / 1760 / 1650	BP-U-3S-800/17-EW	116585	1
800 / 2070 / 1950	BP-U-3S-800/20-EW	116586	1
1000 / 1060 / 950	BP-U-3S-1000/10-EW	116587	1
1000 / 1260 / 1150	BP-U-3S-1000/12-EW	116588	1
1000 / 1560 / 1450	BP-U-3S-1000/15-EW	116589	1
1000 / 1760 / 1650	BP-U-3S-1000/17-EW	116590	1
1000 / 2060 / 1950	BP-U-3S-1000/20-EW	116591	1
<b>Rotary door handle, White</b>			
400 / 460 / 350	BP-U-3S-400/4-EW-W	116592	1
400 / 760 / 650	BP-U-3S-400/7-EW-W	116593	1
400 / 1060 / 950	BP-U-3S-400/10-EW-W	116594	1
400 / 1260 / 1150	BP-U-3S-400/12-EW-W	116595	1
600 / 460 / 350	BP-U-3S-600/4-EW-W	116596	1
600 / 760 / 650	BP-U-3S-600/7-EW-W	116597	1
600 / 1060 / 950	BP-U-3S-600/10-EW-W	116598	1
600 / 1260 / 1150	BP-U-3S-600/12-EW-W	116599	1
600 / 1560 / 1450	BP-U-3S-600/15-EW-W	116600	1
600 / 1760 / 1650	BP-U-3S-600/17-EW-W	116601	1
600 / 2060 / 1950	BP-U-3S-600/20-EW-W	116602	1
800 / 760 / 650	BP-U-3S-800/7-EW-W	116603	1
800 / 1060 / 950	BP-U-3S-800/10-EW-W	116604	1
800 / 1260 / 1150	BP-U-3S-800/12-EW-W	116605	1
800 / 1560 / 1450	BP-U-3S-800/15-EW-W	116606	1
800 / 1760 / 1650	BP-U-3S-800/17-EW-W	116607	1
800 / 2070 / 1950	BP-U-3S-800/20-EW-W	116608	1
1000 / 1060 / 950	BP-U-3S-1000/10-EW-W	116609	1
1000 / 1260 / 1150	BP-U-3S-1000/12-EW-W	116610	1
1000 / 1560 / 1450	BP-U-3S-1000/15-EW-W	116611	1
1000 / 1760 / 1650	BP-U-3S-1000/17-EW-W	116612	1
1000 / 2060 / 1950	BP-U-3S-1000/20-EW-W	116613	1

xEnergy  
Basic



# Distribution Boards

wa\_v17813



Width / Outside Height / Front plate Height (mm)	Type Designation	Article No.	Units per package
<b>3-Step Flush-Mounting Door Frame for Outdoor Installation, IP43, with Door, BPA-U-3S...</b>			
<ul style="list-style-type: none"> <li>Attention: Inserting the Flush-Mounting Door Frame BPA-U-3S (IP43) or BPM-U-3S (IP54) in the Wall Box BPZ-WB3S, the facility builder has to ensure waterproofing against the wall covering substrate.</li> </ul>			
<b>Dual-bit lock, Grey</b>			
400 / 460 / 350	BPA-U-3S-400/4	111217	1
400 / 760 / 650	BPA-U-3S-400/7	111218	1
400 / 1060 / 950	BPA-U-3S-400/10	111219	1
400 / 1260 / 1150	BPA-U-3S-400/12	111220	1
600 / 460 / 350	BPA-U-3S-600/4	111221	1
600 / 760 / 650	BPA-U-3S-600/7	111222	1
600 / 1060 / 950	BPA-U-3S-600/10	111223	1
600 / 1260 / 1150	BPA-U-3S-600/12	111224	1
600 / 1560 / 1450	BPA-U-3S-600/15	111225	1
600 / 1760 / 1650	BPA-U-3S-600/17	111226	1
600 / 2060 / 1950	BPA-U-3S-600/20	111227	1
800 / 760 / 650	BPA-U-3S-800/7	111230	1
800 / 1060 / 950	BPA-U-3S-800/10	111231	1
800 / 1260 / 1150	BPA-U-3S-800/12	111232	1
800 / 1560 / 1450	BPA-U-3S-800/15	111233	1
800 / 1760 / 1650	BPA-U-3S-800/17	111234	1
800 / 2070 / 1950	BPA-U-3S-800/20	111235	1
1000 / 1060 / 950	BPA-U-3S-1000/10	111238	1
1000 / 1260 / 1150	BPA-U-3S-1000/12	111239	1
1000 / 1560 / 1450	BPA-U-3S-1000/15	111240	1
1000 / 1760 / 1650	BPA-U-3S-1000/17	111241	1
1000 / 2060 / 1950	BPA-U-3S-1000/20	111242	1
1200 / 1260 / 1150	BPA-U-3S-1200/12	111245	1
1200 / 1560 / 1450	BPA-U-3S-1200/15	111246	1
1200 / 1760 / 1650	BPA-U-3S-1200/17	111247	1
1200 / 2060 / 1950	BPA-U-3S-1200/20	111248	1
<b>Clip-down handle, Grey</b>			
400 / 460 / 350	BPA-U-3S-400/4-P	119129	1
400 / 760 / 650	BPA-U-3S-400/7-P	119130	1
400 / 1060 / 950	BPA-U-3S-400/10-P	119131	1
400 / 1260 / 1150	BPA-U-3S-400/12-P	119132	1
600 / 460 / 350	BPA-U-3S-600/4-P	119133	1
600 / 760 / 650	BPA-U-3S-600/7-P	119134	1
600 / 1060 / 950	BPA-U-3S-600/10-P	119135	1
600 / 1260 / 1150	BPA-U-3S-600/12-P	119136	1
600 / 1560 / 1450	BPA-U-3S-600/15-P	119137	1
600 / 1760 / 1650	BPA-U-3S-600/17-P	111228	1
600 / 2060 / 1950	BPA-U-3S-600/20-P	111229	1
800 / 760 / 650	BPA-U-3S-800/7-P	119138	1
800 / 1060 / 950	BPA-U-3S-800/10-P	119139	1
800 / 1260 / 1150	BPA-U-3S-800/12-P	119140	1
800 / 1560 / 1450	BPA-U-3S-800/15-P	119141	1
800 / 1760 / 1650	BPA-U-3S-800/17-P	111236	1
800 / 2070 / 1950	BPA-U-3S-800/20-P	111237	1
1000 / 1060 / 950	BPA-U-3S-1000/10-P	119142	1
1000 / 1260 / 1150	BPA-U-3S-1000/12-P	119143	1
1000 / 1560 / 1450	BPA-U-3S-1000/15-P	119144	1
1000 / 1760 / 1650	BPA-U-3S-1000/17-P	111243	1
1000 / 2060 / 1950	BPA-U-3S-1000/20-P	111244	1
1200 / 1260 / 1150	BPA-U-3S-1200/12-P	119145	1
1200 / 1560 / 1450	BPA-U-3S-1200/15-P	119146	1
1200 / 1760 / 1650	BPA-U-3S-1200/17-P	111249	1
1200 / 2060 / 1950	BPA-U-3S-1200/20-P	111250	1

# Distribution Boards

wa\_v17713



Width / Outside Height / Front plate Height (mm)	Type Designation	Article No.	Units per package
--	------------------	-------------	-------------------

## 3-Step Flush-Mounting Moisture-proof Door Frame, IP54, with Door, BPM-U-3S...

- Attention: Inserting the Flush-Mounting Door Frame BPA-U-3S (IP43) or BPM-U-3S (IP54) in the Wall Box BPZ-WB3S, the facility builder has to ensure waterproofing against the wall covering substrate.

### Dual-bit lock, Grey

400 / 460 / 350	BPM-U-3S-400/4	111251	1
400 / 760 / 650	BPM-U-3S-400/7	111252	1
400 / 1060 / 950	BPM-U-3S-400/10	111253	1
400 / 1260 / 1150	BPM-U-3S-400/12	111254	1
600 / 460 / 350	BPM-U-3S-600/4	111255	1
600 / 760 / 650	BPM-U-3S-600/7	111256	1
600 / 1060 / 950	BPM-U-3S-600/10	111257	1
600 / 1260 / 1150	BPM-U-3S-600/12	111258	1
600 / 1560 / 1450	BPM-U-3S-600/15	111259	1
600 / 1760 / 1650	BPM-U-3S-600/17	111260	1
600 / 2060 / 1950	BPM-U-3S-600/20	111261	1
800 / 760 / 650	BPM-U-3S-800/7	111264	1
800 / 1060 / 950	BPM-U-3S-800/10	111265	1
800 / 1260 / 1150	BPM-U-3S-800/12	111266	1
800 / 1560 / 1450	BPM-U-3S-800/15	111267	1
800 / 1760 / 1650	BPM-U-3S-800/17	111268	1
800 / 2070 / 1950	BPM-U-3S-800/20	111269	1
1000 / 1060 / 950	BPM-U-3S-1000/10	111272	1
1000 / 1260 / 1150	BPM-U-3S-1000/12	111273	1
1000 / 1560 / 1450	BPM-U-3S-1000/15	111274	1
1000 / 1760 / 1650	BPM-U-3S-1000/17	111275	1
1000 / 2060 / 1950	BPM-U-3S-1000/20	111276	1
1200 / 1260 / 1150	BPM-U-3S-1200/12	111279	1
1200 / 1560 / 1450	BPM-U-3S-1200/15	111280	1
1200 / 1760 / 1650	BPM-U-3S-1200/17	111281	1
1200 / 2060 / 1950	BPM-U-3S-1200/20	111282	1

### Clip-down handle, Grey

400 / 460 / 350	BPM-U-3S-400/4-P	119147	1
400 / 760 / 650	BPM-U-3S-400/7-P	119148	1
400 / 1060 / 950	BPM-U-3S-400/10-P	119149	1
400 / 1260 / 1150	BPM-U-3S-400/12-P	119150	1
600 / 460 / 350	BPM-U-3S-600/4-P	119151	1
600 / 760 / 650	BPM-U-3S-600/7-P	119152	1
600 / 1060 / 950	BPM-U-3S-600/10-P	119153	1
600 / 1260 / 1150	BPM-U-3S-600/12-P	119154	1
600 / 1560 / 1450	BPM-U-3S-600/15-P	119155	1
600 / 1760 / 1650	BPM-U-3S-600/17-P	111262	1
600 / 2060 / 1950	BPM-U-3S-600/20-P	111263	1
800 / 760 / 650	BPM-U-3S-800/7-P	119156	1
800 / 1060 / 950	BPM-U-3S-800/10-P	119157	1
800 / 1260 / 1150	BPM-U-3S-800/12-P	119158	1
800 / 1560 / 1450	BPM-U-3S-800/15-P	119159	1
800 / 1760 / 1650	BPM-U-3S-800/17-P	111270	1
800 / 2070 / 1950	BPM-U-3S-800/20-P	111271	1
1000 / 1060 / 950	BPM-U-3S-1000/10-P	119160	1
1000 / 1260 / 1150	BPM-U-3S-1000/12-P	119161	1
1000 / 1560 / 1450	BPM-U-3S-1000/15-P	119162	1
1000 / 1760 / 1650	BPM-U-3S-1000/17-P	111277	1
1000 / 2060 / 1950	BPM-U-3S-1000/20-P	111278	1
1200 / 1260 / 1150	BPM-U-3S-1200/12-P	119163	1
1200 / 1560 / 1450	BPM-U-3S-1200/15-P	119164	1
1200 / 1760 / 1650	BPM-U-3S-1200/17-P	111283	1
1200 / 2060 / 1950	BPM-U-3S-1200/20-P	111284	1

# Distribution Boards

wa\_vt17713



## Dual-bit lock, White

400 / 460 / 350	BPM-U-3S-400/4-W	144237	1
400 / 760 / 650	BPM-U-3S-400/7-W	144238	1
400 / 1060 / 950	BPM-U-3S-400/10-W	144239	1
400 / 1260 / 1150	BPM-U-3S-400/12-W	144240	1
600 / 460 / 350	BPM-U-3S-600/4-W	144241	1
600 / 760 / 650	BPM-U-3S-600/7-W	144242	1
600 / 1060 / 950	BPM-U-3S-600/10-W	144243	1
600 / 1260 / 1150	BPM-U-3S-600/12-W	144244	1
600 / 1560 / 1450	BPM-U-3S-600/15-W	144245	1
600 / 1760 / 1650	BPM-U-3S-600/17-W	144246	1
600 / 2060 / 1950	BPM-U-3S-600/20-W	144247	1
800 / 760 / 650	BPM-U-3S-800/7-W	144248	1
800 / 1060 / 950	BPM-U-3S-800/10-W	144249	1
800 / 1260 / 1150	BPM-U-3S-800/12-W	144250	1
800 / 1560 / 1450	BPM-U-3S-800/15-W	144251	1
800 / 1760 / 1650	BPM-U-3S-800/17-W	144252	1
800 / 2070 / 1950	BPM-U-3S-800/20-W	144253	1
1000 / 1060 / 950	BPM-U-3S-1000/10-W	144254	1
1000 / 1260 / 1150	BPM-U-3S-1000/12-W	144255	1
1000 / 1560 / 1450	BPM-U-3S-1000/15-W	144256	1
1000 / 1760 / 1650	BPM-U-3S-1000/17-W	144257	1
1000 / 2060 / 1950	BPM-U-3S-1000/20-W	144258	1
1200 / 1260 / 1150	BPM-U-3S-1200/12-W	144259	1
1200 / 1560 / 1450	BPM-U-3S-1200/15-W	144260	1
1200 / 1760 / 1650	BPM-U-3S-1200/17-W	144261	1
1200 / 2060 / 1950	BPM-U-3S-1200/20-W	144262	1

Frontplate Height (mm)	Type Designation	Article No.	Units per package
------------------------	------------------	-------------	-------------------

## Mounting Side Wall for 3-Step System, BPZ-MSW

- incl. pre-mounted snap-on element

350	BPZ-MSW-4/SNAP	112284	1 pair
650	BPZ-MSW-7/SNAP	112285	1 pair
950	BPZ-MSW-10/SNAP	112286	1 pair
1150	BPZ-MSW-12/SNAP	112287	1 pair
1450	BPZ-MSW-15/SNAP	112288	1 pair
1650	BPZ-MSW-17/SNAP	112289	1 pair
1950	BPZ-MSW-20/SNAP	112300	1 pair

Height (mm)	Type Designation	Article No.	Units per package
-------------	------------------	-------------	-------------------

## Segaration frame, BPZ-USF

- for flush-mounting boards
- only for width of 1000 or 1200 mm
- for MSW application
- angle accessories are included

### Grey

10	BPZ-USF-10	119302	1
12	BPZ-USF-12	119303	1
15	BPZ-USF-15	119304	1
17	BPZ-USF-17	119305	1
20	BPZ-USF-20	119306	1

### White

10	BPZ-USF-10-W	131568	1
12	BPZ-USF-12-W	131569	1
15	BPZ-USF-15-W	131570	1
17	BPZ-USF-17-W	131571	1
20	BPZ-USF-20-W	131572	1

wa\_vt18013



wa\_vt61813



# Distribution Boards

## Floor-Standing Distribution Board with Rotary Door Handle, IP30, BP-F...

- depth 300 mm
- including pass-through flange on top and bottom
- including metal door with rotary door handle
- to assemble with MSW, 2 pair Corner Tower Sets BPZ-CTS-S and 1 piece Snap Element BPZ-SNAP-MSW-CTS have to be ordered separately
- to assemble on the main frame 2 pieces Frontplate Support BPZ-FPS have to be ordered separately
- interior design with MSW or Mounting Towers possible

wa\_vt03513



Width / Outside Height / Frontplate Height (mm)	Type Designation	Article No.	Units per package
---	------------------	-------------	-------------------

### Rotary door handle, Grey

400 / 1760 / 1650	BP-F-400/17/3	102055	1
400 / 2060 / 1950	BP-F-400/20/3	102056	1
600 / 1760 / 1650	BP-F-600/17/3	102057	1
600 / 2060 / 1950	BP-F-600/20/3	102058	1
800 / 1760 / 1650	BP-F-800/17/3	102059	1
800 / 2060 / 1950	BP-F-800/20/3	102320	1
1000 / 1760 / 1650	BP-F-1000/17/3	102321	1
1000 / 2060 / 1950	BP-F-1000/20/3	102322	1
1200 / 1760 / 1650	BP-F-1200/17/3	102323	1
1200 / 2060 / 1950	BP-F-1200/20/3	102324	1

### Rotary door handle, White

400 / 1760 / 1650	BP-F-400/17/3-W	102335	1
400 / 2060 / 1950	BP-F-400/20/3-W	102336	1
600 / 1760 / 1650	BP-F-600/17/3-W	102337	1
600 / 2060 / 1950	BP-F-600/20/3-W	102338	1
800 / 1760 / 1650	BP-F-800/17/3-W	102339	1
800 / 2060 / 1950	BP-F-800/20/3-W	102340	1
1000 / 1760 / 1650	BP-F-1000/17/3-W	102341	1
1000 / 2060 / 1950	BP-F-1000/20/3-W	102342	1
1200 / 1760 / 1650	BP-F-1200/17/3-W	102343	1
1200 / 2060 / 1950	BP-F-1200/20/3-W	102344	1

# Distribution Boards

## Floor-Standing Distribution Board with Clip-Down Handle, IP30, BP-F...-P

- depth 300 mm
- including pass-through flange on top and bottom
- including metal door with clip-down handle
- to assemble with MSW, 2 pair Corner Tower Sets BPZ-CTS-S and 1 piece Snap Element BPZ-SNAP-MSW-CTS have to be ordered separately
- to assemble on the main frame 2 pieces Frontplate Support BPZ-FPS have to be ordered separately
- interior design with MSW or Mounting Towers possible

wa\_vt03613



Width / Outside Height / Frontplate Height (mm)	Type Designation	Article No.	Units per package
---	------------------	-------------	-------------------

### Clip-down handle, Grey

400 / 1760 / 1650	BP-F-400/17/3-P	102355	1
400 / 2060 / 1950	BP-F-400/20/3-P	102356	1
600 / 1760 / 1650	BP-F-600/17/3-P	102357	1
600 / 2060 / 1950	BP-F-600/20/3-P	102358	1
800 / 1760 / 1650	BP-F-800/17/3-P	102359	1
800 / 2060 / 1950	BP-F-800/20/3-P	102360	1
1000 / 1760 / 1650	BP-F-1000/17/3-P	102361	1
1000 / 2060 / 1950	BP-F-1000/20/3-P	102362	1
1200 / 1760 / 1650	BP-F-1200/17/3-P	102363	1
1200 / 2060 / 1950	BP-F-1200/20/3-P	102364	1

### Clip-down handle, White

400 / 1760 / 1650	BP-F-400/17/3-P-W	102375	1
400 / 2060 / 1950	BP-F-400/20/3-P-W	102376	1
600 / 1760 / 1650	BP-F-600/17/3-P-W	102377	1
600 / 2060 / 1950	BP-F-600/20/3-P-W	102378	1
800 / 1760 / 1650	BP-F-800/17/3-P-W	102379	1
800 / 2060 / 1950	BP-F-800/20/3-P-W	102380	1
1000 / 1760 / 1650	BP-F-1000/17/3-P-W	102381	1
1000 / 2060 / 1950	BP-F-1000/20/3-P-W	102382	1
1200 / 1760 / 1650	BP-F-1200/17/3-P-W	102383	1
1200 / 2060 / 1950	BP-F-1200/20/3-P-W	102384	1

## Floor-Standing Distribution Board with Clip-Down Handle, tightened door construction, IP30, BP-F-T....-P

- depth 300 mm
- including pass-through flange on top and bottom
- including metal door with clip-down handle
- tightened door construction
- to assemble with MSW, 2 pair Corner Tower Sets BPZ-CTS-S and 1 piece Snap Element BPZ-SNAP-MSW-CTS have to be ordered separately
- to assemble on the main frame 2 pieces Frontplate Support BPZ-FPS have to be ordered separately
- interior design with MSW or Mounting Towers possible

wa\_vt03613



Width / Outside Height / Frontplate Height (mm)	Type Designation	Article No.	Units per package
---	------------------	-------------	-------------------

### Clip-down handle, Grey

400 / 1760 / 1650	BP-F-T-400/17/3-P	142284	1
400 / 2060 / 1950	BP-F-T-400/20/3-P	142285	1
600 / 1760 / 1650	BP-F-T-600/17/3-P	142286	1
600 / 2060 / 1950	BP-F-T-600/20/3-P	142287	1
800 / 1760 / 1650	BP-F-T-800/17/3-P	142288	1
800 / 2060 / 1950	BP-F-T-800/20/3-P	142289	1
1000 / 1760 / 1650	BP-F-T-1000/17/3-P	142430	1
1000 / 2060 / 1950	BP-F-T-1000/20/3-P	142431	1
1200 / 1760 / 1650	BP-F-T-1200/17/3-P	142432	1
1200 / 2060 / 1950	BP-F-T-1200/20/3-P	142433	1

# Distribution Boards

wa\_vt03713



## Floor-Standing Distribution Board flexible assembling, IP30, BP-F...-F

- depth 250 mm
- empty housing without buildup, flange plates, door or front plate support
- installation frame (rear side) without mounting holm
- only MSW application (no CornerTower BPZ-CTS-... necessary)

Width / Outside Height / Frontplate Height (mm)	Type Designation	Article No.	Units per package
---	------------------	-------------	-------------------

### Grey

400 / 2060 / 1950	BP-F-400/20/2,5-F	120754	1
600 / 2060 / 1950	BP-F-600/20/2,5-F	120755	1
800 / 2060 / 1950	BP-F-800/20/2,5-F	120756	1
1000 / 2060 / 1950	BP-F-1000/20/2,5-F	120757	1
1200 / 2060 / 1950	BP-F-1200/20/2,5-F	120758	1

wa\_vt03713



## Floor-Standing Distribution Board flexible assembling, IP30, BP-F...-F

- depth 300 mm
- no body
- no flange
- no door
- no front plate support BPZ-FPS
- to assemble with MSW, 2 pair CornerTower Sets BPZ-CTS-S and 1 piece Snap Element BPZ-SNAP-MSW-CTS have to be ordered separately
- to assemble on the main frame 2 pieces Frontplate Support BPZ-FPS have to be ordered separately
- interior design with MSW or Mounting Towers possible

Width / Outside Height / Frontplate Height (mm)	Type Designation	Article No.	Units per package
---	------------------	-------------	-------------------

### Grey

400 / 1760 / 1650	BP-F-400/17/3-F	102395	1
400 / 2060 / 1950	BP-F-400/20/3-F	102396	1
600 / 1760 / 1650	BP-F-600/17/3-F	102397	1
600 / 2060 / 1950	BP-F-600/20/3-F	102398	1
800 / 1760 / 1650	BP-F-800/17/3-F	102399	1
800 / 2060 / 1950	BP-F-800/20/3-F	102400	1
1000 / 1760 / 1650	BP-F-1000/17/3-F	120691	1
1000 / 2060 / 1950	BP-F-1000/20/3-F	120692	1
1200 / 1760 / 1650	BP-F-1200/17/3-F	120693	1
1200 / 2060 / 1950	BP-F-1200/20/3-F	120694	1

### White

400 / 1760 / 1650	BP-F-400/17/3-F-W	102407	1
400 / 2060 / 1950	BP-F-400/20/3-F-W	102408	1
600 / 1760 / 1650	BP-F-600/17/3-F-W	102409	1
600 / 2060 / 1950	BP-F-600/20/3-F-W	102410	1
800 / 1760 / 1650	BP-F-800/17/3-F-W	102411	1
800 / 2060 / 1950	BP-F-800/20/3-F-W	102412	1
1000 / 1760 / 1650	BP-F-1000/17/3-F-W	120695	1
1000 / 2060 / 1950	BP-F-1000/20/3-F-W	120696	1
1200 / 1760 / 1650	BP-F-1200/17/3-F-W	120697	1
1200 / 2060 / 1950	BP-F-1200/20/3-F-W	120698	1

# Distribution Boards

## Floor-Standing Distribution Board flexible assembling, IP30, BP-F...-F

- depth 400 mm
- empty housing without buildup, flange plates, door or front plate support
- installation frame (rear side) without mounting holm
- only MSW application (no CornerTower BPZ-CTS-... necessary)

wa\_vt03713



Width / Outside Height / Frontplate Height (mm)	Type Designation	Article No.	Units per package
<b>Grey</b>			
400 / 2060 / 1950	BP-F-400/20/4-F	120759	1
600 / 2060 / 1950	BP-F-600/20/4-F	120760	1
800 / 2060 / 1950	BP-F-800/20/4-F	120761	1
1000 / 2060 / 1950	BP-F-1000/20/4-F	120762	1
1200 / 2060 / 1950	BP-F-1200/20/4-F	120763	1



# Distribution Boards

## Floor-Standing Distribution Board with Rotary Door Handle, IP30, BP-F...

- depth 250 mm
- including pass-through flange on top and bottom
- including metal door with rotary door handle
- installation frame (rear side) without mounting holm
- only MSW application (no CornerTower BPZ-CTS-... necessary)

wa\_vt03513



Width / Outside Height / Frontplate Height (mm)	Type Designation	Article No.	Units per package
---	------------------	-------------	-------------------

### Rotary door handle, Grey

400 / 2060 / 1950	BP-F-400/20/2,5	119187	1
600 / 2060 / 1950	BP-F-600/20/2,5	119188	1
800 / 2060 / 1950	BP-F-800/20/2,5	119189	1
1000 / 2060 / 1950	BP-F-1000/20/2,5	119190	1
1200 / 2060 / 1950	BP-F-1200/20/2,5	119191	1

## Floor-Standing Distribution Board with Clip-down Handle, IP30, BP-F....P

- depth 400 mm
- including pass-through flange on top and bottom
- including metal door with clip-down handle
- installation frame (rear side) without mounting holm
- only MSW application (no CornerTower BPZ-CTS-... necessary)

wa\_vt03613



Width / Outside Height / Frontplate Height (mm)	Type Designation	Article No.	Units per package
---	------------------	-------------	-------------------

### Clip-down handle, Grey

400 / 2060 / 1950	BP-F-400/20/4-P	119192	1
600 / 2060 / 1950	BP-F-600/20/4-P	119193	1
800 / 2060 / 1950	BP-F-800/20/4-P	119194	1
1000 / 2060 / 1950	BP-F-1000/20/4-P	119195	1
1200 / 2060 / 1950	BP-F-1200/20/4-P	119196	1

# Distribution Boards

wa\_vt51313



Width / Height (mm)	Type Designation	Article No.	Units per package
<b>Sheet Steel Doors, BPZ-DS-...</b>			
<b>Rotary door handle, Grey</b>			
400 / 1696,5	BPZ-DS-400/17	102419	1
400 / 1996,5	BPZ-DS-400/20	102420	1
600 / 1696,5	BPZ-DS-600/17	102421	1
600 / 1996,5	BPZ-DS-600/20	102422	1
800 / 1696,5	BPZ-DS-800/17	102423	1
800 / 1996,5	BPZ-DS-800/20	102424	1
600+400L / 1696,5	BPZ-DS-600/17	102421	1
	BPZ-DS-400/17-L	106374	1
600+400L / 1996,5	BPZ-DS-600/20	102422	1
	BPZ-DS-400/20-L	106375	1
600+600L / 1696,5	BPZ-DS-600/17	102421	1
	BPZ-DS-600/17-L	106376	1
600+600L / 1996,5	BPZ-DS-600/20	102422	1
	BPZ-DS-600/20-L	106377	1
<b>Rotary door handle, White</b>			
400 / 1696,5	BPZ-DS-400/17-W	102443	1
400 / 1996,5	BPZ-DS-400/20-W	102444	1
600 / 1696,5	BPZ-DS-600/17-W	102445	1
600 / 1996,5	BPZ-DS-600/20-W	102446	1
800 / 1696,5	BPZ-DS-800/17-W	102447	1
800 / 1996,5	BPZ-DS-800/20-W	102448	1
600+400L / 1696,5	BPZ-DS-600/17-W	102445	1
	BPZ-DS-400/17-L-W	106378	1
600+400L / 1996,5	BPZ-DS-600/20-W	102446	1
	BPZ-DS-400/20-L-W	106379	1
600+600L / 1696,5	BPZ-DS-600/17-W	102445	1
	BPZ-DS-600/17-L-W	106420	1
600+600L / 1996,5	BPZ-DS-600/20-W	102446	1
	BPZ-DS-600/20-L-W	106421	1

wa\_vt03913



Width / Height (mm)	Type Designation	Article No.	Units per package
<b>Sheet Steel Doors, BPZ-DS-...-P</b>			
<b>Clip-down handle, Grey</b>			
400 / 1696,5	BPZ-DS-400/17-P	102425	1
400 / 1996,5	BPZ-DS-400/20-P	102426	1
600 / 1696,5	BPZ-DS-600/17-P	102427	1
600 / 1996,5	BPZ-DS-600/20-P	102428	1
800 / 1696,5	BPZ-DS-800/17-P	102429	1
800 / 1996,5	BPZ-DS-800/20-P	102430	1
600+400L / 1696,5	BPZ-DS-600/17-P	102427	1
	BPZ-DS-400/17-L	106374	1
600+400L / 1996,5	BPZ-DS-600/20-P	102428	1
	BPZ-DS-400/20-L	106375	1
600+600L / 1696,5	BPZ-DS-600/17-P	102427	1
	BPZ-DS-600/17-L	106376	1
600+600L / 1996,5	BPZ-DS-600/20-P	102428	1
	BPZ-DS-600/20-L	106377	1
<b>Clip-down handle, White</b>			
400 / 1696,5	BPZ-DS-400/17-P-W	102449	1
400 / 1996,5	BPZ-DS-400/20-P-W	102450	1
600 / 1696,5	BPZ-DS-600/17-P-W	102451	1
600 / 1996,5	BPZ-DS-600/20-P-W	102452	1
800 / 1696,5	BPZ-DS-800/17-P-W	102453	1
800 / 1996,5	BPZ-DS-800/20-P-W	102454	1
600+400L / 1696,5	BPZ-DS-600/17-P-W	102451	1
	BPZ-DS-400/17-L-W	106378	1
600+400L / 1996,5	BPZ-DS-600/20-P-W	102452	1
	BPZ-DS-400/20-L-W	106379	1
600+600L / 1696,5	BPZ-DS-600/17-P-W	102451	1
	BPZ-DS-600/17-L-W	106420	1
600+600L / 1996,5	BPZ-DS-600/20-P-W	102452	1
	BPZ-DS-600/20-L-W	106421	1

xEnergy  
Basic

# Distribution Boards

wa\_vt03913



Width / Height (mm)	Type Designation	Article No.	Units per package
<b>Sheet Steel Doors, tightened construction, BPZ-DS-T...-P</b>			
<b>Clip-down handle, Grey</b>			
400 / 1696,5	BPZ-DS-T-400/17-P	142434	1
400 / 1996,5	BPZ-DS-T-400/20-P	142435	1
600 / 1696,5	BPZ-DS-T-600/17-P	142436	1
600 / 1996,5	BPZ-DS-T-600/20-P	142437	1
800 / 1696,5	BPZ-DS-T-800/17-P	142438	1
800 / 1996,5	BPZ-DS-T-800/20-P	142439	1
600+400L / 1696,5	BPZ-DS-T-600/17-P	142436	1
	BPZ-DS-T-400/17-L	142440	1
600+400L / 1996,5	BPZ-DS-T-600/20-P	142437	1
	BPZ-DS-T-400/20-L	142441	1
600+600L / 1696,5	BPZ-DS-T-600/17-P	142436	1
	BPZ-DS-T-600/17-L	142442	1
600+600L / 1996,5	BPZ-DS-T-600/20-P	142437	1
	BPZ-DS-T-600/20-L	142443	1

# Distribution Boards

VT00106



Width / Height (mm)	Type Designation	Article No.	Units per package
<b>Transparent Doors (Sheet Steel), BPZ-DT...</b>			
<b>Rotary door handle, Grey</b>			
400 / 1696,5	BPZ-DT-400/17	102431	1
400 / 1996,5	BPZ-DT-400/20	102432	1
600 / 1696,5	BPZ-DT-600/17	102433	1
600 / 1996,5	BPZ-DT-600/20	102434	1
800 / 1696,5	BPZ-DT-800/17	102435	1
800 / 1996,5	BPZ-DT-800/20	102436	1
600+400L / 1696,5	BPZ-DT-600/17	102433	1
	BPZ-DT-400/17-L	106422	1
600+400L / 1996,5	BPZ-DT-600/20	102434	1
	BPZ-DT-400/20-L	106423	1
600+600L / 1696,5	BPZ-DT-600/17	102433	1
	BPZ-DT-600/17-L	106424	1
600+600L / 1996,5	BPZ-DT-600/20	102434	1
	BPZ-DT-600/20-L	106425	1
<b>Rotary door handle, White</b>			
400 / 1696,5	BPZ-DT-400/17-W	102455	1
400 / 1996,5	BPZ-DT-400/20-W	102456	1
600 / 1696,5	BPZ-DT-600/17-W	102457	1
600 / 1996,5	BPZ-DT-600/20-W	102458	1
800 / 1696,5	BPZ-DT-800/17-W	102459	1
800 / 1996,5	BPZ-DT-800/20-W	102460	1
600+400L / 1696,5	BPZ-DT-600/17-W	102457	1
	BPZ-DT-400/17-L-W	106426	1
600+400L / 1996,5	BPZ-DT-600/20-W	102458	1
	BPZ-DT-400/20-L-W	106427	1
600+600L / 1696,5	BPZ-DT-600/17-W	102457	1
	BPZ-DT-600/17-L-W	106428	1
600+600L / 1996,5	BPZ-DT-600/20-W	102458	1
	BPZ-DT-600/20-L-W	106429	1

VT00206



Width / Height (mm)	Type Designation	Article No.	Units per package
<b>Transparent Doors (Sheet Steel), BPZ-DT...-P</b>			
<b>Clip-down handle, Grey</b>			
400 / 1696,5	BPZ-DT-400/17-P	102437	1
400 / 1996,5	BPZ-DT-400/20-P	102438	1
600 / 1696,5	BPZ-DT-600/17-P	102439	1
600 / 1996,5	BPZ-DT-600/20-P	102440	1
800 / 1696,5	BPZ-DT-800/17-P	102441	1
800 / 1996,5	BPZ-DT-800/20-P	102442	1
600+400L / 1696,5	BPZ-DT-600/17-P	102439	1
	BPZ-DT-400/17-L	106422	1
600+400L / 1996,5	BPZ-DT-600/20-P	102440	1
	BPZ-DT-400/20-L	106423	1
600+600L / 1696,5	BPZ-DT-600/17-P	102439	1
	BPZ-DT-600/17-L	106424	1
600+600L / 1996,5	BPZ-DT-600/20-P	102440	1
	BPZ-DT-600/20-L	106425	1
<b>Clip-down handle, White</b>			
400 / 1696,5	BPZ-DT-400/17-P-W	102461	1
400 / 1996,5	BPZ-DT-400/20-P-W	102462	1
600 / 1696,5	BPZ-DT-600/17-P-W	102463	1
600 / 1996,5	BPZ-DT-600/20-P-W	102464	1
800 / 1696,5	BPZ-DT-800/17-P-W	102465	1
800 / 1996,5	BPZ-DT-800/20-P-W	102466	1
600+400L / 1696,5	BPZ-DT-600/17-P-W	102463	1
	BPZ-DT-400/17-L-W	106426	1
600+400L / 1996,5	BPZ-DT-600/20-P-W	102464	1
	BPZ-DT-400/20-L-W	106427	1
600+600L / 1696,5	BPZ-DT-600/17-P-W	102463	1
	BPZ-DT-600/17-L-W	106428	1
600+600L / 1996,5	BPZ-DT-600/20-P-W	102464	1
	BPZ-DT-600/20-L-W	106429	1

xEnergy  
Basic

# Distribution Boards

## Moisture Proof-Floor-Standing Board, IP54, BPM-F-...

- depth 320 mm
- welded construction with door and two-way key bit
- open cable entry below and above, prepared for F3A-Flanges
- interior fitting system possible via MSW or Towers
- to assemble with MSW, 2 pair Corner Tower Sets BPZ-CTS-S and 1 piece Snap Element BPZ-SNAP-MSW-CTS have to be ordered separately
- to assemble on the main frame 2 pieces Frontplate Support BPZ-FPS have to be ordered separately

wa\_vt17213



wa\_vt17313



Width / Outside Height / Frontplate Height (mm)	Type Designation	Article No.	Units per package
---	------------------	-------------	-------------------

### Two-way key bit, Grey

400 / 1760 / 1650	BPM-F-400/17	111037	1
400 / 2060 / 1950	BPM-F-400/20	111038	1
600 / 1760 / 1650	BPM-F-600/17	111039	1
600 / 2060 / 1950	BPM-F-600/20	111040	1
800 / 1760 / 1650	BPM-F-800/17	111041	1
800 / 2060 / 1950	BPM-F-800/20	111042	1
1000 / 1760 / 1650	BPM-F-1000/17	111043	1
1000 / 2060 / 1950	BPM-F-1000/20	111044	1
1200 / 1760 / 1650	BPM-F-1200/17	111045	1
1200 / 2060 / 1950	BPM-F-1200/20	111046	1

### Two-way key bit, White

400 / 1760 / 1650	BPM-F-400/17-W	111077	1
400 / 2060 / 1950	BPM-F-400/20-W	111078	1
600 / 1760 / 1650	BPM-F-600/17-W	111079	1
600 / 2060 / 1950	BPM-F-600/20-W	111080	1
800 / 1760 / 1650	BPM-F-800/17-W	111081	1
800 / 2060 / 1950	BPM-F-800/20-W	111082	1
1000 / 1760 / 1650	BPM-F-1000/17-W	111083	1
1000 / 2060 / 1950	BPM-F-1000/20-W	111084	1
1200 / 1760 / 1650	BPM-F-1200/17-W	111085	1
1200 / 2060 / 1950	BPM-F-1200/20-W	111086	1

# Distribution Boards

## Moisture Proof-Floor-Standing Board with Clip-down Handle, IP54, BPM-F....-P

- depth 320 mm
- welded construction with door and clip-down handle
- open cable entry below and above, prepared for F3A-Flanges
- interior fitting system possible via MSW or Towers
- to assemble with MSW, 2 pair Corner Tower Sets BPZ-CTS-S and 1 piece Snap Element BPZ-SNAP-MSW-CTS have to be ordered separately
- to assemble on the main frame 2 pieces Frontplate Support BPZ-FPS have to be ordered separately

wa\_vt03613



Width / Outside Height / Frontplate Height (mm)	Type Designation	Article No.	Units per package
---	------------------	-------------	-------------------

### Clip-down handle, Grey

400 / 1760 / 1650	BPM-F-400/17-P	111047	1
400 / 2060 / 1950	BPM-F-400/20-P	111048	1
600 / 1760 / 1650	BPM-F-600/17-P	111049	1
600 / 2060 / 1950	BPM-F-600/20-P	111050	1
800 / 1760 / 1650	BPM-F-800/17-P	111051	1
800 / 2060 / 1950	BPM-F-800/20-P	111052	1
1000 / 1760 / 1650	BPM-F-1000/17-P	111053	1
1000 / 2060 / 1950	BPM-F-1000/20-P	111054	1
1200 / 1760 / 1650	BPM-F-1200/17-P	111055	1
1200 / 2060 / 1950	BPM-F-1200/20-P	111056	1

### Clip-down handle, White

400 / 1760 / 1650	BPM-F-400/17-P-W	111087	1
400 / 2060 / 1950	BPM-F-400/20-P-W	111088	1
600 / 1760 / 1650	BPM-F-600/17-P-W	111089	1
600 / 2060 / 1950	BPM-F-600/20-P-W	111090	1
800 / 1760 / 1650	BPM-F-800/17-P-W	111091	1
800 / 2060 / 1950	BPM-F-800/20-P-W	111092	1
1000 / 1760 / 1650	BPM-F-1000/17-P-W	111093	1
1000 / 2060 / 1950	BPM-F-1000/20-P-W	111094	1
1200 / 1760 / 1650	BPM-F-1200/17-P-W	111095	1
1200 / 2060 / 1950	BPM-F-1200/20-P-W	111096	1

# Distribution Boards

VT104514



Width / Outside Height / Frontplate Height (mm)	Type Designation	Article No.	Units per package
<b>Basic Enclosure without door, Grey</b>			
600 / 1760 / 1650	BPM-F-600/17-F	174362	1
600 / 2060 / 1950	BPM-F-600/20-F	174363	1
800 / 1760 / 1650	BPM-F-800/17-F	174367	1
800 / 2060 / 1950	BPM-F-800/20-F	174368	1
1000 / 1760 / 1650	BPM-F-1000/17-F	174370	1
1000 / 2060 / 1950	BPM-F-1000/20-F	174371	1

VT105014



Width / Height (mm)	Type Designation	Article No.	Units per package
<b>Steel sheet Doors with clip-down handle, Grey, IP54, BPZ-DMS</b>			
570 / 1730	BPZ-DMS-600/17-P	174342	1
570 / 2030	BPZ-DMS-600/20-P	174343	1
770 / 1730	BPZ-DMS-800/17-P	174347	1
770 / 2030	BPZ-DMS-800/20-P	174348	1
600+370 / 1730	BPZ-DMS-1000/17-P	174350	1
600+370 / 2030	BPZ-DMS-1000/20-P	174351	1

xEnergy  
Basic

# Distribution Boards

VT33914



VT32514



Width / Height (mm)	Type Designation	Article No.	Units per package
<b>Transparent Doors (steel sheet) with clip-down handle, Grey, IP54, BPZ-DMT</b>			
570 / 1730	BPZ-DMT-600/17-P	173585	1
570 / 2030	BPZ-DMT-600/20-P	173586	1
770 / 1730	BPZ-DMT-800/17-P	173592	1
770 / 2030	BPZ-DMT-800/20-P	173593	1
600+370 / 1730	BPZ-DMT-1000/17-P	173597	1
600+370 / 2030	BPZ-DMT-1000/20-P	173598	1



# Distribution Boards

wa\_vt24113



Width / Height / Rows	Type Designation	Article No.	Units per package
<b>Mounting insert, Front Plates steel, BPZ-MES-...-ST</b>			
<ul style="list-style-type: none"> <li>• overview scheme at the technic part</li> <li>• with MSW application</li> <li>• Insert fits in Surface-, Flush-mounting and Open Distribution Board IP30</li> <li>• 2 pair Corner Tower BPZ-CTS-S and 1 set Snap Elements BPZ-SNAP-MSW-CTS are in the scope of delivery of the floor standing boards (heights 17, 20)</li> <li>• 1 set Snap Elements BPZ-SNAP-MSW-CTS are in the scope of delivery of the surface boards (heights 4, 7, 10, 12, 15), Corner Tower BPZ-CTS-S are in the scope of delivery</li> <li>• 2 pair Corner Tower BPZ-CTS-S are needed additional for wall boards IP54 (BPM-O-...)</li> </ul>			
400 / 7 / 4	BPZ-MES-400/7-ST	119307	1
400 / 10 / 5	BPZ-MES-400/10-ST	119308	1
400 / 12 / 6	BPZ-MES-400/12-ST	119309	1
600 / 4 / 3	BPZ-MES-600/4-ST	119310	1
600 / 7 / 4	BPZ-MES-600/7-ST	119311	1
600 / 10 / 5	BPZ-MES-600/10-ST	119312	1
600 / 12 / 6	BPZ-MES-600/12-ST	119313	1
600 / 15 / 7	BPZ-MES-600/15-ST	119314	1
600 / 17 / 8	BPZ-MES-600/17-ST	119315	1
600 / 20 / 9	BPZ-MES-600/20-ST	119316	1
800 / 10 / 5	BPZ-MES-800/10-ST	119317	1
800 / 12 / 6	BPZ-MES-800/12-ST	119318	1
800 / 15 / 7	BPZ-MES-800/15-ST	119319	1
800 / 17 / 8	BPZ-MES-800/17-ST	119320	1
800 / 20 / 9	BPZ-MES-800/20-ST	119321	1
1000 / 10 / 5	BPZ-MES-1000/10-ST	119322	1
1000 / 12 / 6	BPZ-MES-1000/12-ST	119323	1
1000 / 15 / 7	BPZ-MES-1000/15-ST	119324	1
1000 / 17 / 8	BPZ-MES-1000/17-ST	119325	1
1000 / 20 / 9	BPZ-MES-1000/20-ST	119326	1
1200 / 12 / 6	BPZ-MES-1200/12-ST	119327	1
1200 / 15 / 7	BPZ-MES-1200/15-ST	119328	1
1200 / 17 / 8	BPZ-MES-1200/17-ST	119329	1
1200 / 20 / 9	BPZ-MES-1200/20-ST	119330	1

wa\_vt24113



Width / Height / Rows	Type Designation	Article No.	Units per package
<b>Mounting insert, Plastic Front Plates, BPZ-MES-...-K</b>			
<ul style="list-style-type: none"> <li>• overview scheme at the technic part</li> <li>• with MSW application</li> <li>• Insert fits in Surface-, Flush-mounting and Open Distribution Board IP30</li> <li>• 2 pair Corner Tower BPZ-CTS-S and 1 set Snap Elements BPZ-SNAP-MSW-CTS are in the scope of delivery of the floor standing boards (heights 17, 20)</li> <li>• 1 set Snap Elements BPZ-SNAP-MSW-CTS are in the scope of delivery of the surface boards (heights 4, 7, 10, 12, 15), Corner Tower BPZ-CTS-S are in the scope of delivery</li> <li>• 2 pair Corner Tower BPZ-CTS-S are needed additional for wall boards IP54 (BPM-O-...)</li> </ul>			
400 / 7 / 4	BPZ-MES-400/7-K	119331	1
400 / 10 / 5	BPZ-MES-400/10-K	119332	1
400 / 12 / 6	BPZ-MES-400/12-K	119333	1
600 / 4 / 3	BPZ-MES-600/4-K	119334	1
600 / 7 / 4	BPZ-MES-600/7-K	119335	1
600 / 10 / 5	BPZ-MES-600/10-K	119336	1
600 / 12 / 6	BPZ-MES-600/12-K	119337	1
600 / 15 / 7	BPZ-MES-600/15-K	119338	1
600 / 17 / 8	BPZ-MES-600/17-K	119339	1
600 / 20 / 9	BPZ-MES-600/20-K	119340	1
800 / 10 / 5	BPZ-MES-800/10-K	119341	1
800 / 12 / 6	BPZ-MES-800/12-K	119342	1
800 / 15 / 7	BPZ-MES-800/15-K	119343	1
800 / 17 / 8	BPZ-MES-800/17-K	119344	1
800 / 20 / 9	BPZ-MES-800/20-K	119345	1
1000 / 10 / 5	BPZ-MES-1000/10-K	119346	1
1000 / 12 / 6	BPZ-MES-1000/12-K	119347	1
1000 / 15 / 7	BPZ-MES-1000/15-K	119348	1
1000 / 17 / 8	BPZ-MES-1000/17-K	119349	1
1000 / 20 / 9	BPZ-MES-1000/20-K	119350	1
1200 / 12 / 6	BPZ-MES-1200/12-K	119351	1
1200 / 15 / 7	BPZ-MES-1200/15-K	119352	1
1200 / 17 / 8	BPZ-MES-1200/17-K	119353	1
1200 / 20 / 9	BPZ-MES-1200/20-K	119354	1

# Distribution Boards

## Open Distribution Board, IP30, BP-MN-...

- with MSW application but without mounting insert
- only the board without insert BPZ-MES
- Shift-back flange on top
- welded board
- Depth 175 mm

wa\_vt24013



Symbolic picture

Width / Outside Height / Frontplate Height (mm)	Type Designation	Article No.	Units per package
---	------------------	-------------	-------------------

### Grey

573 / 400 / 350	BP-MN-600/4/1,75	119197	1
573 / 700 / 650	BP-MN-600/7/1,75	119198	1
573 / 1000 / 950	BP-MN-600/10/1,75	119199	1
573 / 1200 / 1150	BP-MN-600/12/1,75	119200	1
573 / 1500 / 1450	BP-MN-600/15/1,75	119201	1
573 / 1700 / 1650	BP-MN-600/17/1,75	119202	1
573 / 2000 / 1950	BP-MN-600/20/1,75	119203	1
773 / 1000 / 950	BP-MN-800/10/1,75	119204	1
773 / 1200 / 1150	BP-MN-800/12/1,75	119205	1
773 / 1500 / 1450	BP-MN-800/15/1,75	119206	1
773 / 1700 / 1650	BP-MN-800/17/1,75	119207	1
773 / 2000 / 1950	BP-MN-800/20/1,75	119208	1
973 / 1000 / 950	BP-MN-1000/10/1,75	119209	1
973 / 1200 / 1150	BP-MN-1000/12/1,75	119210	1
973 / 1500 / 1450	BP-MN-1000/15/1,75	119211	1
973 / 1700 / 1650	BP-MN-1000/17/1,75	119212	1
973 / 2000 / 1950	BP-MN-1000/20/1,75	119213	1

## Outdoor Distribution Board, IP43, BP-VF-...

- aluminium enclosure, power coated
- fits for base A-KU
- for MSW application
- for Mounting Insert BPZ-MES

wa\_vt10814



Width / Outside Height	Type Designation	Article No.	Units per package
------------------------	------------------	-------------	-------------------

### Grey

400 / 1060	BP-VF-400/10	125830	1
400 / 1260	BP-VF-400/12	125833	1
600 / 1060	BP-VF-600/10	125831	1
600 / 1260	BP-VF-600/12	125834	1
800 / 1060	BP-VF-800/10	125832	1
800 / 1260	BP-VF-800/12	125835	1

## Plastic Cover for Base, A-KU

- for outdoor enclosure BP-VF

wa\_vt11114



For Width	Type Designation	Article No.	Units per package
-----------	------------------	-------------	-------------------

400	A-KU3	274823	1
600	A-KU4	274824	1
800	A-KU5	274825	1

# Distribution Boards

wa\_vt51413







Width / Height (mm)	Type Designation	Article No.	Units per package
<b>Front Cover for Base, BPZ-FS</b>			
<b>Grey</b>			
400 / 100	BPZ-FS-400/1	293493	1
400 / 200	BPZ-FS-400/2	293495	1
600 / 100	BPZ-FS-600/1	293497	1
600 / 200	BPZ-FS-600/2	293499	1
800 / 100	BPZ-FS-800/1	293501	1
800 / 200	BPZ-FS-800/2	293503	1
1000 / 100	BPZ-FS-1000/1	293505	1
1000 / 200	BPZ-FS-1000/2	293507	1
1200 / 100	BPZ-FS-1200/1	293509	1
1200 / 200	BPZ-FS-1200/2	293511	1
<b>White</b>			
400 / 100	BPZ-FS-400/1-W	293494	1
400 / 200	BPZ-FS-400/2-W	293496	1
600 / 100	BPZ-FS-600/1-W	293498	1
600 / 200	BPZ-FS-600/2-W	293500	1
800 / 100	BPZ-FS-800/1-W	293502	1
800 / 200	BPZ-FS-800/2-W	293504	1
1000 / 100	BPZ-FS-1000/1-W	293506	1
1000 / 200	BPZ-FS-1000/2-W	293508	1
1200 / 100	BPZ-FS-1200/1-W	293510	1
1200 / 200	BPZ-FS-1200/2-W	293512	1

VT06905



Height / Depth (mm)	Type Designation	Article No.	Units per package
<b>Side Cover for Base, BPZ-SS</b>			
<b>Floor Standing Board</b>			
<b>Grey, IP30</b>			
100 / 250	BPZ-SS-1/250	119166	1
100 / 300	BPZ-SS-1/3	293513	1
100 / 400	BPZ-SS-1/400	119165	1
200 / 250	BPZ-SS-2/250	119170	1
200 / 300	BPZ-SS-2/3	293517	1
200 / 400	BPZ-SS-2/400	119169	1
<b>White, IP30</b>			
100 / 300	BPZ-SS-1/3-W	293514	1
200 / 300	BPZ-SS-2/3-W	293518	1
<b>Grey, IP54</b>			
100 / 320	BPZ-SS-1/320	112348	1
200 / 320	BPZ-SS-2/320	112349	1
<b>White , IP54</b>			
100 / 320	BPZ-SS-1/320-W	112350	1
200 / 320	BPZ-SS-2/320-W	112351	1

# Distribution Boards

	Height / Depth (mm) / Design	Type Designation	Article No.	Units per package	
 <p>VT06905</p>	<b>Surface Mounting</b>				
	<b>Grey, IP30</b>				
	100 / 249	BPZ-SS-1/249	119168	1	
	200 / 249	BPZ-SS-2/249	119172	1	
	<b>Grey , IP54</b>				
	100 / 270	BPZ-SS-1/270	119167	1	
	200 / 270	BPZ-SS-2/270	119171	1	
	<b>White, IP30</b>				
	100 / 249	BPZ-SS-1/249-W	119174	1	
	200 / 249	BPZ-SS-2/249-W	119176	1	
	<b>White , IP54</b>				
	100 / 270	BPZ-SS-1/270-W	119173	1	
200 / 270	BPZ-SS-2/270-W	119175	1		
 <p>v1106114</p>	<b>Side Cover Set for Base, BPZ-SS-.../SET</b>				
	<b>Floor Standing Board, BO . . . blind-open, OO . . . open-open</b>				
	<b>Grey, IP30</b>				
	100 / 300	BPZ-SS-1/300/SET/BO	119181	1	
	100 / 300	BPZ-SS-1/300/SET/OO	119182	1	
	100 / 400	BPZ-SS-1/400/SET/BO	119177	1	
	100 / 400	BPZ-SS-1/400/SET/OO	119178	1	
	<b>Grey, IP54</b>				
	100 / 320	BPZ-SS-1/320/SET/BO	119179	1	
	100 / 320	BPZ-SS-1/320/SET/OO	119180	1	
	<b>White, IP30</b>				
	100 / 300	BPZ-SS-1/300/SET/BO-W	119185	1	
	100 / 300	BPZ-SS-1/300/SET/OO-W	119186	1	
	<b>White, IP54</b>				
	100 / 320	BPZ-SS-1/320/SET/BO-W	119183	1	
	100 / 320	BPZ-SS-1/320/SET/OO-W	119184	1	
	 <p>v1106114</p>	<b>Surface Mounting, OO ... open-open</b>			
		<b>Grey , IP54</b>			
100 / 270		BPZ-SS-1/270/SET/OO	174352	1	
<b>Front cover for Base, BPZ-MN-FS-...</b>					
• for open installation boards					
573 / 100		BPZ-MN-FS-600/1	120685	1	
573 / 200		BPZ-MN-FS-600/2	120686	1	
773 / 100		BPZ-MN-FS-800/1	120687	1	
773 / 200		BPZ-MN-FS-800/2	120688	1	
973 / 100		BPZ-MN-FS-1000/1	120689	1	
973 / 200	BPZ-MN-FS-1000/2	120690	1		
 <p>wa_vt51413</p>					

# Distribution Boards

VT06905



Height / Depth (mm) / Design	Type Designation	Article No.	Units per package
<b>Side Cover for Base, BPZ-MN-SS...</b>			
<b>Open Distribution Board</b>			
<b>Grey</b>			
100 / 175	BPZ-MN-SS/1/175	119214	1
200 / 175	BPZ-MN-SS/2/175	119215	1

xEnergy  
Basic

# Distribution Boards

## Cable Interconnect Frame, BPZ-KR

- For **IP30** Profi+ enclosures
- Delivery fully assembled
- Sheet steel, powder-coated in RAL 7035 light grey or RAL 9016 white
- Panelling can be removed from all sides
- Can be mounted at the top and bottom of the enclosure
- Fixing material included

wa\_vt23313



Width / Height / Depth (mm)	Type Designation	Article No.	Units per package
-----------------------------	------------------	-------------	-------------------

### Grey

400 / 100 / 300	BPZ-KR41/300	116269	1
400 / 200 / 300	BPZ-KR42/300	116270	1
600 / 100 / 300	BPZ-KR61/300	116271	1
600 / 200 / 300	BPZ-KR62/300	116272	1
1200 / 100 / 300	BPZ-KR121/300	116275	1
1200 / 200 / 300	BPZ-KR122/300	116276	1

### White

400 / 100 / 300	BPZ-KR41/300-W	116277	1
400 / 200 / 300	BPZ-KR42/300-W	116278	1
600 / 100 / 300	BPZ-KR61/300-W	116279	1
600 / 200 / 300	BPZ-KR62/300-W	116280	1
1200 / 100 / 300	BPZ-KR121/300-W	116283	1
1200 / 200 / 300	BPZ-KR122/300-W	116284	1

## Cable Interconnect Frame, BPZ-KR

- For **IP54** Profi+ enclosures
- Delivery fully assembled
- Sheet steel, powder-coated in RAL 7035 light grey
- Panelling can be removed from all sides
- Can be mounted at the top and bottom of the enclosure
- Fixing material included

wa\_vt23313



Width / Height / Depth (mm)	Type Designation	Article No.	Units per package
-----------------------------	------------------	-------------	-------------------

### Grey

400 / 100 / 320	BPZ-KR41/320	116285	1
400 / 200 / 320	BPZ-KR42/320	116286	1
600 / 100 / 320	BPZ-KR61/320	116287	1
600 / 200 / 320	BPZ-KR62/320	116288	1
1200 / 100 / 320	BPZ-KR121/320	116291	1
1200 / 200 / 320	BPZ-KR122/320	116292	1

## Cable Strain-Relief Rails, C-Profile, BPZ-KFS

- Suitable for use with cable interconnect frame BPZ-KR...
- C-Profile 16mm, for hammerfoot yoke clamps, galvanized
- Fixing material included

wa\_vt23413



Width (mm)	Type Designation	Article No.	Units per package
------------	------------------	-------------	-------------------

400	BPZ-KFS-400	116293	1
600	BPZ-KFS-600	116294	1
1200	BPZ-KFS-1200	116296	1

# Distribution Boards

## Vertical partition Surface Mounting Installation Distribution Boards off width 800 mm, IP30 and IP54

VT32714



Width (mm)	Type Designation	Article No.	Units per package
Mounting profile for Shared Composition in the Surface Mounting Installation Distribution Boards, BPZ-SFB			
• pair (above and bottom), incl. screws			
800	BPZ-SFB-800	173633	1
1000	BPZ-SFB-1000	173634	1
1200	BPZ-SFB-1200	173635	1

VT33514



Enclosure height / height of front plates (mm)	Type Designation	Article No.	Units per package
Set for Shared Composition, BPZ-SF			
• for vertical partition in the Surface Mounting Installation Distribution Boards (off width 800 mm)			
• mounting profile BPZ-SFB has to be ordered according to enclosure width			
• per set an additional pair of front plate support BPZ-FPS is needed			
<b>Grey</b>			
10 / 950	BPZ-SF-10	173625	1
12 / 1150	BPZ-SF-12	173626	1
15 / 1450	BPZ-SF-15	173627	1

- for vertical partition in the Floor-Standing Distribution Board width 1000 and/or 1200 mm
- per set an additional pair of front plate support BPZ-FPS is needed

<b>Grey</b>			
17 / 1650	BPZ-SF-17	108374	1
20 / 1950	BPZ-SF-20	108375	1

<b>White</b>			
17 / 1650	BPZ-SF-17-W	108376	
20 / 1950	BPZ-SF-20-W	108377	1

VT33414



Enclosure height / height of front plates (mm)	Type Designation	Article No.	Units per package
Set for Shared Composition with 200 mm Compartment, BPZ-SF-200			
• for 200 mm compartment in the Surface Mounting Installation Distribution Board (off width 800 mm)			
• mounting profile BPZ-SFB has to be ordered according to enclosure width			
• per set an additional pair of front plate support BPZ-FPS is needed			
<b>Grey</b>			
4 / 350	BPZ-SF-200/4	173628	1
7 / 650	BPZ-SF-200/7	173629	1
10 / 950	BPZ-SF-200/10	173630	1
12 / 1150	BPZ-SF-200/12	173631	1
15 / 1450	BPZ-SF-200/15	173632	1

xEnergy  
Basic

# Distribution Boards

VT32614



Width / height (mm)	Type Designation	Article No.	Units per package
<b>Sheet steel door for front plate cover of the 200 mm compartment in Shared Composition, BPZ-CD-200/..</b>			
<ul style="list-style-type: none"> <li>• in connection with set for shared composition for 200 mm compartment BPZ-SF-200</li> <li>• mounting onto front plate support BPZ-FPS</li> </ul>			
<b>Grey</b>			
200 / 350	BPZ-CD-200/4	173644	1
200 / 650	BPZ-CD-200/7	173645	1
200 / 950	BPZ-CD-200/10	173646	1
200 / 1150	BPZ-CD-200/12	173647	1
200 / 1450	BPZ-CD-200/15	173648	1
200 / 1650 *)	BPZ-CD-200/18-XVTL	173649	1
200 / 1850 *)	BPZ-CD-200/20-XVTL	173650	1
*) only for mounting in XVTL			

VT33614



Enclosure height / height (mm)	Type Designation	Article No.	Units per package
<b>Partition for Shared Composition, BPZ-SF-DP-..</b>			
<ul style="list-style-type: none"> <li>• vertical partition between two sections in the enclosure without pre-stamping</li> <li>• mounting on the base frame - no mounting insert MSW</li> </ul>			
4 / 440	BPZ-SF-DP-4	173636	1
7 / 740	BPZ-SF-DP-7	173637	1
10 / 1040	BPZ-SF-DP-10	173638	1
12 / 1240	BPZ-SF-DP-12	173639	1
15 / 1540	BPZ-SF-DP-15	173640	1
17 / 1650	BPZ-SF-DP-17	152617	1
20 / 1950	BPZ-SF-DP-20	152618	1
16 / 1580 *)	BPZ-SF-DP-16-XVTL	173641	1
18 / 1780 *)	BPZ-SF-DP-18-XVTL	173642	1
20 / 1980 *)	BPZ-SF-DP-20-XVTL	173643	1
*) only for mounting in XVTL			

vt104614, vt104714


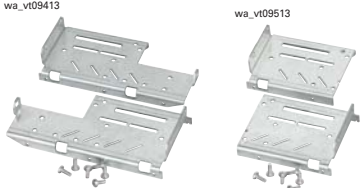



Width / height (mm)	Type Designation	Article No.	Units per package
<b>Set for internal cable area as complete kit, BPZ-ICD-..</b>			
<ul style="list-style-type: none"> <li>• for distribution boards Profi+ <b>IP54</b></li> <li>• 200 mm cable area BPZ-ICD-200... enclosure width 800 mm / off height 15</li> <li>• 400 mm cable area BPZ-ICD-400... enclosure width 1000 mm / off height 15</li> <li>• Set consists of mounting profile for shared composition, mounting holm rear, front plate support front, sheet steel door incl. frame, transparent plastic cover</li> </ul>			
<b>Grey</b>			
200 / 1450	BPZ-ICD-200/15	174353	1
200 / 1650	BPZ-ICD-200/17	174354	1
200 / 1950	BPZ-ICD-200/20	174355	1
400 / 1450	BPZ-ICD-400/15	174356	1
400 / 1650	BPZ-ICD-400/17	174388	1
400 / 1950	BPZ-ICD-400/20	174389	1






xEnergy Basic






# Distribution Boards

	Frontplate Height (mm)	Type Designation	Article No.	Units per package
 <p>VT10206</p>	<b>Frontplate Support, BPZ-FPS</b> <ul style="list-style-type: none"> <li>• pair (for left and right), including screws</li> <li>• intended for mounting of front plates without using BPZ-MSW</li> <li>• shorter types enables combination of an installation section with BPZ-MSW and power section without BPZ-MSW in one board</li> <li>• must be used for mounting of meter troughs into surface-mounted boards IP54 or floor-standing boards if BPZ-MSW is not used</li> </ul>			
	200	BPZ-FPS/2	106439	1
	300	BPZ-FPS/3	106438	1
	350	BPZ-FPS/350	112343	1
	500	BPZ-FPS/5	106437	1
	650	BPZ-FPS/650	112344	1
	700	BPZ-FPS/7	106436	1
	800	BPZ-FPS/8	106435	1
	950	BPZ-FPS/950	112345	1
	1000	BPZ-FPS/10	106434	1
	1150	BPZ-FPS/1150	112346	1
	1300	BPZ-FPS/13	106433	1
	1450	BPZ-FPS/1450	112347	1
	1600	BPZ-FPS/16	106432	1
	1650	BPZ-FPS/17	106431	1
1950	BPZ-FPS/20	106430	1	
<hr/>				
	Description	Type Designation	Article No.	Units per package
 <p>wa_vt09413      wa_vt09513</p> <p>BPZ-CTS-L      BPZ-CTS-S</p>	<b>Corner Tower Set, BPZ-CTS</b> <ul style="list-style-type: none"> <li>• pair (for left and right), including screws</li> <li>• enables mounting of BPZ-MSW into floor standing boards or surface-mounting boards</li> <li>• for mounting of terminal support bar BPZ-TSB</li> <li>• Corner Tower Set short - for mounting MSW in floor standing boards or floor standing boards with separation frame</li> <li>• Corner Tower Set long - used for wall mounted boards</li> </ul>			
	short	BPZ-CTS-S	106445	1
	long	BPZ-CTS-L	106446	1
<hr/>				
		Type Designation	Article No.	Units per package
 <p>VT01310</p>	<b>Snap element Set, BPZ-SNAP-MSW-CTS</b> <ul style="list-style-type: none"> <li>• designed for comfort inserting and fixing BPZ-MSW with use BPZ-SNAP to board</li> <li>• for boards with MSW application for BP-O, BPM-O and BP-F, BPM-F boards</li> <li>• for IP30 and IP54 boards</li> <li>• mount on Corner Tower Set BPZ-CTS</li> </ul>			
		BPZ-SNAP-MSW-CTS	131559	1

# Distribution Boards

 <p>wa_vt18013</p>	<table border="1"> <thead> <tr> <th>Frontplate Height (mm)</th> <th>Type Designation</th> <th>Article No.</th> <th>Units per package</th> </tr> </thead> <tbody> <tr> <td colspan="4"><b>Mounting Side Wall, BPZ-MSW</b></td> </tr> <tr> <td colspan="4">• incl. pre-mounted snap-on element BPZ-SNAP</td> </tr> <tr> <td>350</td> <td>BPZ-MSW-4/SNAP</td> <td>112284</td> <td>1 pair</td> </tr> <tr> <td>650</td> <td>BPZ-MSW-7/SNAP</td> <td>112285</td> <td>1 pair</td> </tr> <tr> <td>950</td> <td>BPZ-MSW-10/SNAP</td> <td>112286</td> <td>1 pair</td> </tr> <tr> <td>1150</td> <td>BPZ-MSW-12/SNAP</td> <td>112287</td> <td>1 pair</td> </tr> <tr> <td>1450</td> <td>BPZ-MSW-15/SNAP</td> <td>112288</td> <td>1 pair</td> </tr> <tr> <td>1650</td> <td>BPZ-MSW-17/SNAP</td> <td>112289</td> <td>1 pair</td> </tr> <tr> <td>1950</td> <td>BPZ-MSW-20/SNAP</td> <td>112300</td> <td>1 pair</td> </tr> </tbody> </table>	Frontplate Height (mm)	Type Designation	Article No.	Units per package	<b>Mounting Side Wall, BPZ-MSW</b>				• incl. pre-mounted snap-on element BPZ-SNAP				350	BPZ-MSW-4/SNAP	112284	1 pair	650	BPZ-MSW-7/SNAP	112285	1 pair	950	BPZ-MSW-10/SNAP	112286	1 pair	1150	BPZ-MSW-12/SNAP	112287	1 pair	1450	BPZ-MSW-15/SNAP	112288	1 pair	1650	BPZ-MSW-17/SNAP	112289	1 pair	1950	BPZ-MSW-20/SNAP	112300	1 pair																																								
Frontplate Height (mm)	Type Designation	Article No.	Units per package																																																																														
<b>Mounting Side Wall, BPZ-MSW</b>																																																																																	
• incl. pre-mounted snap-on element BPZ-SNAP																																																																																	
350	BPZ-MSW-4/SNAP	112284	1 pair																																																																														
650	BPZ-MSW-7/SNAP	112285	1 pair																																																																														
950	BPZ-MSW-10/SNAP	112286	1 pair																																																																														
1150	BPZ-MSW-12/SNAP	112287	1 pair																																																																														
1450	BPZ-MSW-15/SNAP	112288	1 pair																																																																														
1650	BPZ-MSW-17/SNAP	112289	1 pair																																																																														
1950	BPZ-MSW-20/SNAP	112300	1 pair																																																																														
 <p>VT12008</p>	<table border="1"> <thead> <tr> <th>Type Designation</th> <th>Article No.</th> <th>Units per package</th> </tr> </thead> <tbody> <tr> <td colspan="3"><b>Unit for MSW, BPZ-SNAP</b></td> </tr> <tr> <td>BPZ-SNAP</td> <td>116677</td> <td>1</td> </tr> </tbody> </table>	Type Designation	Article No.	Units per package	<b>Unit for MSW, BPZ-SNAP</b>			BPZ-SNAP	116677	1																																																																							
Type Designation	Article No.	Units per package																																																																															
<b>Unit for MSW, BPZ-SNAP</b>																																																																																	
BPZ-SNAP	116677	1																																																																															
 <p>VT13608</p>	<table border="1"> <thead> <tr> <th>Hight (mm)</th> <th>Type Designation</th> <th>Article No.</th> <th>Units per package</th> </tr> </thead> <tbody> <tr> <td colspan="4"><b>Door Support bar, BPZ-TP-...</b></td> </tr> <tr> <td colspan="4">• door support bar for mounting the C-Profile Rail BPZ-CP-TP1,2</td> </tr> <tr> <td colspan="4">• overview at the technical part</td> </tr> <tr> <td colspan="4"><b>Grey</b></td> </tr> <tr> <td>300</td> <td>BPZ-TP-4</td> <td>119216</td> <td>1</td> </tr> <tr> <td>550</td> <td>BPZ-TP-7</td> <td>119217</td> <td>1</td> </tr> <tr> <td>850</td> <td>BPZ-TP-10</td> <td>119218</td> <td>1</td> </tr> <tr> <td>1000</td> <td>BPZ-TP-12</td> <td>119219</td> <td>1</td> </tr> <tr> <td>1350</td> <td>BPZ-TP-15</td> <td>119220</td> <td>1</td> </tr> <tr> <td>1550</td> <td>BPZ-TP-17</td> <td>119221</td> <td>1</td> </tr> <tr> <td>1850</td> <td>BPZ-TP-20</td> <td>119222</td> <td>1</td> </tr> <tr> <td colspan="4"><b>White</b></td> </tr> <tr> <td>300</td> <td>BPZ-TP-4-W</td> <td>131561</td> <td>1</td> </tr> <tr> <td>550</td> <td>BPZ-TP-7-W</td> <td>131562</td> <td>1</td> </tr> <tr> <td>850</td> <td>BPZ-TP-10-W</td> <td>131563</td> <td>1</td> </tr> <tr> <td>1000</td> <td>BPZ-TP-12-W</td> <td>131564</td> <td>1</td> </tr> <tr> <td>1350</td> <td>BPZ-TP-15-W</td> <td>131565</td> <td>1</td> </tr> <tr> <td>1550</td> <td>BPZ-TP-17-W</td> <td>131566</td> <td>1</td> </tr> <tr> <td>1850</td> <td>BPZ-TP-20-W</td> <td>131567</td> <td>1</td> </tr> </tbody> </table>	Hight (mm)	Type Designation	Article No.	Units per package	<b>Door Support bar, BPZ-TP-...</b>				• door support bar for mounting the C-Profile Rail BPZ-CP-TP1,2				• overview at the technical part				<b>Grey</b>				300	BPZ-TP-4	119216	1	550	BPZ-TP-7	119217	1	850	BPZ-TP-10	119218	1	1000	BPZ-TP-12	119219	1	1350	BPZ-TP-15	119220	1	1550	BPZ-TP-17	119221	1	1850	BPZ-TP-20	119222	1	<b>White</b>				300	BPZ-TP-4-W	131561	1	550	BPZ-TP-7-W	131562	1	850	BPZ-TP-10-W	131563	1	1000	BPZ-TP-12-W	131564	1	1350	BPZ-TP-15-W	131565	1	1550	BPZ-TP-17-W	131566	1	1850	BPZ-TP-20-W	131567	1
Hight (mm)	Type Designation	Article No.	Units per package																																																																														
<b>Door Support bar, BPZ-TP-...</b>																																																																																	
• door support bar for mounting the C-Profile Rail BPZ-CP-TP1,2																																																																																	
• overview at the technical part																																																																																	
<b>Grey</b>																																																																																	
300	BPZ-TP-4	119216	1																																																																														
550	BPZ-TP-7	119217	1																																																																														
850	BPZ-TP-10	119218	1																																																																														
1000	BPZ-TP-12	119219	1																																																																														
1350	BPZ-TP-15	119220	1																																																																														
1550	BPZ-TP-17	119221	1																																																																														
1850	BPZ-TP-20	119222	1																																																																														
<b>White</b>																																																																																	
300	BPZ-TP-4-W	131561	1																																																																														
550	BPZ-TP-7-W	131562	1																																																																														
850	BPZ-TP-10-W	131563	1																																																																														
1000	BPZ-TP-12-W	131564	1																																																																														
1350	BPZ-TP-15-W	131565	1																																																																														
1550	BPZ-TP-17-W	131566	1																																																																														
1850	BPZ-TP-20-W	131567	1																																																																														
 <p>wa_vt24213</p>	<table border="1"> <thead> <tr> <th>Lenght (mm)</th> <th>Type Designation</th> <th>Article No.</th> <th>Units per package</th> </tr> </thead> <tbody> <tr> <td colspan="4"><b>C-Profile rail for Door Support bar, BPZ-CP-TP1,2</b></td> </tr> <tr> <td colspan="4">• standard lenght 1200 mm</td> </tr> <tr> <td colspan="4">• zinc coated</td> </tr> <tr> <td>1200</td> <td>BPZ-CP-TP1,2</td> <td>119223</td> <td>1</td> </tr> </tbody> </table>	Lenght (mm)	Type Designation	Article No.	Units per package	<b>C-Profile rail for Door Support bar, BPZ-CP-TP1,2</b>				• standard lenght 1200 mm				• zinc coated				1200	BPZ-CP-TP1,2	119223	1																																																												
Lenght (mm)	Type Designation	Article No.	Units per package																																																																														
<b>C-Profile rail for Door Support bar, BPZ-CP-TP1,2</b>																																																																																	
• standard lenght 1200 mm																																																																																	
• zinc coated																																																																																	
1200	BPZ-CP-TP1,2	119223	1																																																																														
 <p>VT13508</p>	<table border="1"> <thead> <tr> <th>Width (mm)</th> <th>Type Designation</th> <th>Article No.</th> <th>Units per package</th> </tr> </thead> <tbody> <tr> <td colspan="4"><b>Separation horizontal, BPZ-AS</b></td> </tr> <tr> <td colspan="4">• metal base frame with plastic insert</td> </tr> <tr> <td colspan="4">• for MSW application</td> </tr> <tr> <td>400</td> <td>BPZ-AS-400</td> <td>119224</td> <td>1</td> </tr> <tr> <td>600</td> <td>BPZ-AS-600</td> <td>119225</td> <td>1</td> </tr> <tr> <td>800</td> <td>BPZ-AS-800</td> <td>119226</td> <td>1</td> </tr> <tr> <td>1000</td> <td>BPZ-AS-1000</td> <td>119227</td> <td>1</td> </tr> <tr> <td>1200</td> <td>BPZ-AS-1200</td> <td>119228</td> <td>1</td> </tr> </tbody> </table>	Width (mm)	Type Designation	Article No.	Units per package	<b>Separation horizontal, BPZ-AS</b>				• metal base frame with plastic insert				• for MSW application				400	BPZ-AS-400	119224	1	600	BPZ-AS-600	119225	1	800	BPZ-AS-800	119226	1	1000	BPZ-AS-1000	119227	1	1200	BPZ-AS-1200	119228	1																																												
Width (mm)	Type Designation	Article No.	Units per package																																																																														
<b>Separation horizontal, BPZ-AS</b>																																																																																	
• metal base frame with plastic insert																																																																																	
• for MSW application																																																																																	
400	BPZ-AS-400	119224	1																																																																														
600	BPZ-AS-600	119225	1																																																																														
800	BPZ-AS-800	119226	1																																																																														
1000	BPZ-AS-1000	119227	1																																																																														
1200	BPZ-AS-1200	119228	1																																																																														

# Distribution Boards

	Height	Type Designation	Article No.	Units per package
 <p>VT01510</p>	<b>Separation Add-on board, BPZ-ASB/..</b>			
	<ul style="list-style-type: none"> <li>• vertical separation between 2 boards without knockouts</li> <li>• fixing on the rear frame - no mounting side wall MSW</li> </ul>			
	400	BPZ-ASB/4	120727	1
	700	BPZ-ASB/7	120728	1
	1000	BPZ-ASB/10	120729	1
	1200	BPZ-ASB/12	120730	1
	1500	BPZ-ASB/15	120731	1
 <p>wa_vt27613</p>	<b>Separation, BPZ-ASMF-...</b>			
	<ul style="list-style-type: none"> <li>• mounted on main frame</li> <li>• mounted horizontal with knockouts</li> </ul>			
	400	BPZ-ASMF-400	120722	1
	600	BPZ-ASMF-600	120723	1
	800	BPZ-ASMF-800	120724	1
	1000	BPZ-ASMF-1000	120725	1
	1200	BPZ-ASMF-1200	120726	1
 <p>wa_vt39413</p>	<b>Depth Straps, TIW-1</b>			
	<ul style="list-style-type: none"> <li>• mounting onto BPZ-MSW</li> <li>• for assembling of mounting plates deeper than it is possible with BPZ-MSW itself</li> <li>• pairs</li> </ul>			
	75 x 90	TIW-1	275430	1

# Distribution Boards

VT00305



Width / Height (mm)	Type Designation	Article No.	Units per package
<b>Front Plates, Blind, BPZ-FP...-BL</b>			
<ul style="list-style-type: none"> <li>• Sheet steel</li> <li>• self-earthing fasteners</li> </ul>			
<b>Grey</b>			
400 / 50	BPZ-FP-400/050-BL	286675	1
400 / 100	BPZ-FP-400/100-BL	286676	1
400 / 125	BPZ-FP-400/125-BL	151252	1
400 / 150	BPZ-FP-400/150-BL	286677	1
400 / 175	BPZ-FP-400/175-BL	151257	1
400 / 200	BPZ-FP-400/200-BL	286679	1
400 / 250	BPZ-FP-400/250-BL	108389	1
400 / 300	BPZ-FP-400/300-BL	108390	1
400 / 350	BPZ-FP-400/350-BL	119229	1
400 / 400	BPZ-FP-400/400-BL	119230	1
400 / 500	BPZ-FP-400/500-BL	119231	1
400 / 800	BPZ-FP-400/800-BL	119232	1
600 / 50	BPZ-FP-600/050-BL	286681	1
600 / 100	BPZ-FP-600/100-BL	286682	1
600 / 125	BPZ-FP-600/125-BL	151253	1
600 / 150	BPZ-FP-600/150-BL	286683	1
600 / 175	BPZ-FP-600/175-BL	151258	1
600 / 200	BPZ-FP-600/200-BL	286685	1
600 / 250	BPZ-FP-600/250-BL	108391	1
600 / 300	BPZ-FP-600/300-BL	108392	1
600 / 350	BPZ-FP-600/350-BL	119233	1
600 / 400	BPZ-FP-600/400-BL	119234	1
600 / 500	BPZ-FP-600/500-BL	119235	1
600 / 800	BPZ-FP-600/800-BL	119236	1
800 / 50	BPZ-FP-800/050-BL	286687	1
800 / 100	BPZ-FP-800/100-BL	286688	1
800 / 125	BPZ-FP-800/125-BL	151254	1
800 / 150	BPZ-FP-800/150-BL	286689	1
800 / 175	BPZ-FP-800/175-BL	151259	1
800 / 200	BPZ-FP-800/200-BL	286691	1
800 / 250	BPZ-FP-800/250-BL	108393	1
800 / 300	BPZ-FP-800/300-BL	108394	1
800 / 350	BPZ-FP-800/350-BL	119237	1
800 / 400	BPZ-FP-800/400-BL	119238	1
800 / 500	BPZ-FP-800/500-BL	119239	1
800 / 800	BPZ-FP-800/800-BL	119240	1
1000 / 50	BPZ-FP-1000/050-BL	293526	1
1000 / 100	BPZ-FP-1000/100-BL	293528	1
1000 / 125	BPZ-FP-1000/125-BL	151255	1
1000 / 150	BPZ-FP-1000/150-BL	293530	1
1000 / 175	BPZ-FP-1000/175-BL	151730	1
1000 / 200	BPZ-FP-1000/200-BL	293534	1
1000 / 250	BPZ-FP-1000/250-BL	108395	1
1000 / 300	BPZ-FP-1000/300-BL	108396	1
1000 / 350	BPZ-FP-1000/350-BL	119241	1
1000 / 400	BPZ-FP-1000/400-BL	119242	1
1000 / 500	BPZ-FP-1000/500-BL	119243	1
1000 / 800	BPZ-FP-1000/800-BL	119244	1
1200 / 50	BPZ-FP-1200/050-BL	293538	1
1200 / 100	BPZ-FP-1200/100-BL	293540	1
1200 / 125	BPZ-FP-1200/125-BL	151256	1
1200 / 150	BPZ-FP-1200/150-BL	293542	1
1200 / 175	BPZ-FP-1200/175-BL	151731	1
1200 / 200	BPZ-FP-1200/200-BL	293546	1
1200 / 250	BPZ-FP-1200/250-BL	108397	1
1200 / 300	BPZ-FP-1200/300-BL	108398	1
1200 / 500	BPZ-FP-1200/500-BL	152516	1
1200 / 800	BPZ-FP-1200/800-BL	152517	1

xEnergy  
Basic

# Distribution Boards



VT02505



## White

400 / 50	BPZ-FP-400/050-BL-W	292397	1
400 / 100	BPZ-FP-400/100-BL-W	292398	1
400 / 150	BPZ-FP-400/150-BL-W	292399	1
400 / 200	BPZ-FP-400/200-BL-W	292401	1
400 / 250	BPZ-FP-400/250-BL-W	108399	1
400 / 300	BPZ-FP-400/300-BL-W	108400	1
400 / 350	BPZ-FP-400/350-BL-W	119245	1
400 / 400	BPZ-FP-400/400-BL-W	119246	1
400 / 500	BPZ-FP-400/500-BL-W	119247	1
400 / 800	BPZ-FP-400/800-BL-W	119248	1
600 / 50	BPZ-FP-600/050-BL-W	292403	1
600 / 100	BPZ-FP-600/100-BL-W	292404	1
600 / 150	BPZ-FP-600/150-BL-W	292405	1
600 / 200	BPZ-FP-600/200-BL-W	292407	1
600 / 250	BPZ-FP-600/250-BL-W	108401	1
600 / 300	BPZ-FP-600/300-BL-W	108402	1
600 / 350	BPZ-FP-600/350-BL-W	119249	1
600 / 400	BPZ-FP-600/400-BL-W	119250	1
600 / 500	BPZ-FP-600/500-BL-W	119251	1
600 / 800	BPZ-FP-600/800-BL-W	119252	1
800 / 50	BPZ-FP-800/050-BL-W	292409	1
800 / 100	BPZ-FP-800/100-BL-W	292410	1
800 / 150	BPZ-FP-800/150-BL-W	292411	1
800 / 200	BPZ-FP-800/200-BL-W	292413	1
800 / 250	BPZ-FP-800/250-BL-W	108403	1
800 / 300	BPZ-FP-800/300-BL-W	108404	1
800 / 350	BPZ-FP-800/350-BL-W	119253	1
800 / 400	BPZ-FP-800/400-BL-W	119254	1
800 / 500	BPZ-FP-800/500-BL-W	119255	1
800 / 800	BPZ-FP-800/800-BL-W	119256	1
1000 / 50	BPZ-FP-1000/050-BL-W	293527	1
1000 / 100	BPZ-FP-1000/100-BL-W	293529	1
1000 / 150	BPZ-FP-1000/150-BL-W	293531	1
1000 / 200	BPZ-FP-1000/200-BL-W	293535	1
1000 / 250	BPZ-FP-1000/250-BL-W	108405	1
1000 / 300	BPZ-FP-1000/300-BL-W	108406	1
1000 / 350	BPZ-FP-1000/350-BL-W	119257	1
1000 / 400	BPZ-FP-1000/400-BL-W	119258	1
1000 / 500	BPZ-FP-1000/500-BL-W	119259	1
1000 / 800	BPZ-FP-1000/800-BL-W	119260	1
1200 / 50	BPZ-FP-1200/050-BL-W	293539	1
1200 / 100	BPZ-FP-1200/100-BL-W	293541	1
1200 / 150	BPZ-FP-1200/150-BL-W	293543	1
1200 / 200	BPZ-FP-1200/200-BL-W	293547	1
1200 / 250	BPZ-FP-1200/250-BL-W	108407	1
1200 / 300	BPZ-FP-1200/300-BL-W	108408	1
1200 / 500	BPZ-FP-1200/500-BL-W	152518	1
1200 / 800	BPZ-FP-1200/800-BL-W	152519	1

# Distribution Boards

	Width / Height (mm)	Type Designation	Article No.	Units per package
 <p>v100305</p>	<b>Front Plattes, blind, BPZ-FPK...-BL</b>			
	• Plastic (PVC)			
	<b>Grey</b>			
	400 / 50	BPZ-FPK-400/50-BL	119261	1
	400 / 100	BPZ-FPK-400/100-BL	119262	1
	400 / 150	BPZ-FPK-400/150-BL	119263	1
	400 / 200	BPZ-FPK-400/200-BL	119264	1
	600 / 50	BPZ-FPK-600/50-BL	119265	1
	600 / 100	BPZ-FPK-600/100-BL	119266	1
	600 / 150	BPZ-FPK-600/150-BL	119267	1
	600 / 200	BPZ-FPK-600/200-BL	119268	1
	600 / 250	BPZ-FPK-600/250-BL	119269	1
	600 / 300	BPZ-FPK-600/300-BL	119270	1
	600 / 350	BPZ-FPK-600/350-BL	119271	1
	800 / 50	BPZ-FPK-800/50-BL	119272	1
	800 / 100	BPZ-FPK-800/100-BL	119273	1
	800 / 150	BPZ-FPK-800/150-BL	119274	1
	800 / 200	BPZ-FPK-800/200-BL	119275	1
	800 / 250	BPZ-FPK-800/250-BL	119276	1
	800 / 300	BPZ-FPK-800/300-BL	119277	1
	800 / 350	BPZ-FPK-800/350-BL	119278	1
	1000 / 50	BPZ-FPK-1000/50-BL	119279	1
	1000 / 100	BPZ-FPK-1000/100-BL	119280	1
	1000 / 150	BPZ-FPK-1000/150-BL	119281	1
	1000 / 200	BPZ-FPK-1000/200-BL	119282	1
	1000 / 250	BPZ-FPK-1000/250-BL	119283	1
	1000 / 300	BPZ-FPK-1000/300-BL	119284	1
	1000 / 350	BPZ-FPK-1000/350-BL	119285	1
	1200 / 100	BPZ-FPK-1200/100-BL	119286	1
	1200 / 150	BPZ-FPK-1200/150-BL	119287	1
	1200 / 200	BPZ-FPK-1200/200-BL	119288	1
	1200 / 250	BPZ-FPK-1200/250-BL	119289	1
1200 / 300	BPZ-FPK-1200/300-BL	119290	1	
1200 / 350	BPZ-FPK-1200/350-BL	119291	1	
	Width (mm) / Height (mm) / MU	Type Designation	Article No.	Units per package
 <p>VT00405</p>	<b>Front Plates with 45 mm Device Cutout, BPZ-FP...-45</b>			
	• Sheet steel • self-earthing fasteners			
	<b>Grey</b>			
	400 / 125 / 13	BPZ-FP-400/125-45	120783	1
	400 / 150 / 13	BPZ-FP-400/150-45	286678	1
	400 / 175 / 13	BPZ-FP-400/175-45	120784	1
	400 / 200 / 13	BPZ-FP-400/200-45	286680	1
	600 / 125 / 24	BPZ-FP-600/125-45	120785	1
	600 / 150 / 24	BPZ-FP-600/150-45	286684	1
	600 / 175 / 24	BPZ-FP-600/175-45	120786	1
	600 / 200 / 24	BPZ-FP-600/200-45	286686	1
	800 / 125 / 35	BPZ-FP-800/125-45	120787	1
	800 / 150 / 35	BPZ-FP-800/150-45	286690	1
	800 / 175 / 35	BPZ-FP-800/175-45	120788	1
	800 / 200 / 35	BPZ-FP-800/200-45	286692	1
	1000 / 125 / 46	BPZ-FP-1000/125-45	120789	1
	1000 / 150 / 46	BPZ-FP-1000/150-45	293532	1
	1000 / 175 / 46	BPZ-FP-1000/175-45	120790	1
	1000 / 200 / 46	BPZ-FP-1000/200-45	293536	1
	1200 / 125 / 57	BPZ-FP-1200/125-45	120791	1
	1200 / 150 / 57	BPZ-FP-1200/150-45	293544	1
	1200 / 150 / 57	BPZ-FP-1200/175-45	120792	1
	1200 / 200 / 57	BPZ-FP-1200/200-45	293548	1

# Distribution Boards

VT02605



## White

400 / 150 / 13	BPZ-FP-400/150-45-W	292400	1
400 / 200 / 13	BPZ-FP-400/200-45-W	292402	1
600 / 150 / 24	BPZ-FP-600/150-45-W	292406	1
600 / 200 / 24	BPZ-FP-600/200-45-W	292408	1
800 / 150 / 35	BPZ-FP-800/150-45-W	292412	1
800 / 200 / 35	BPZ-FP-800/200-45-W	292414	1
1000 / 150 / 46	BPZ-FP-1000/150-45-W	293533	1
1000 / 200 / 46	BPZ-FP-1000/200-45-W	293537	1
1200 / 150 / 57	BPZ-FP-1200/150-45-W	293545	1
1200 / 200 / 57	BPZ-FP-1200/200-45-W	293549	1

Width (mm) / Height (mm) / MU	Type Designation	Article No.	Units per package
-------------------------------	------------------	-------------	-------------------

## Front Plates with 45 mm Device Cutout, BPZ-FPK-...-45

- Plastic (PVC)

## Grey

400 / 125 / 13	BPZ-FPK-400/125-45	120793	1
400 / 150 / 13	BPZ-FPK-400/150-45	119292	1
400 / 175 / 13	BPZ-FPK-400/175-45	120794	1
400 / 200 / 13	BPZ-FPK-400/200-45	119293	1
600 / 125 / 24	BPZ-FPK-600/125-45	120795	1
600 / 150 / 24	BPZ-FPK-600/150-45	119294	1
600 / 175 / 24	BPZ-FPK-600/175-45	120796	1
600 / 200 / 24	BPZ-FPK-600/200-45	119295	1
800 / 125 / 35	BPZ-FPK-800/125-45	120797	1
800 / 150 / 35	BPZ-FPK-800/150-45	119296	1
800 / 175 / 35	BPZ-FPK-800/175-45	120798	1
800 / 200 / 35	BPZ-FPK-800/200-45	119297	1
1000 / 125 / 46	BPZ-FPK-1000/125-45	120799	1
1000 / 150 / 46	BPZ-FPK-1000/150-45	119298	1
1000 / 175 / 46	BPZ-FPK-1000/175-45	120800	1
1000 / 200 / 46	BPZ-FPK-1000/200-45	119299	1
1200 / 125 / 57	BPZ-FPK-1200/125-45	120801	1
1200 / 150 / 57	BPZ-FPK-1200/150-45	119300	1
1200 / 175 / 57	BPZ-FPK-1200/175-45	120802	1
1200 / 200 / 57	BPZ-FPK-1200/200-45	119301	1

vt00405



Symbolic picture

# Distribution Boards

VT25306



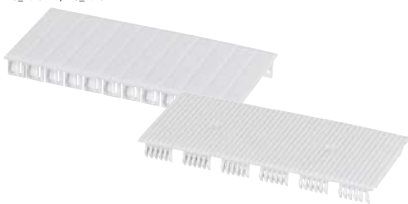
Width (mm) / Height (mm) / MU	Type Designation	Article No.	Units per package
<b>Front Plates, Steel sheet with Plastic Insert, BPZ-FPP-...-BL</b>			
<ul style="list-style-type: none"> <li>• Sheet steel frame with plastic insert</li> <li>• self-earthing fasteners</li> <li>• universal front plate suitable for different outputs</li> </ul>			
<b>Grey</b>			
400 / 150	BPZ-FPP-400/150-BL	120732	1
400 / 300	BPZ-FPP-400/300-BL	108291	1
600 / 150	BPZ-FPP-600/150-BL	120733	1
600 / 300	BPZ-FPP-600/300-BL	108292	1
600 / 500	BPZ-FPP-600/500-BL	108293	1
800 / 150	BPZ-FPP-800/150-BL	120734	1
800 / 300	BPZ-FPP-800/300-BL	108294	1
800 / 500	BPZ-FPP-800/500-BL	108295	1
1000 / 150	BPZ-FPP-1000/150-BL	120735	1
1000 / 300	BPZ-FPP-1000/300-BL	134202	1
1000 / 500	BPZ-FPP-1000/500-BL	134203	1
1200 / 150	BPZ-FPP-1200/150-BL	120736	1
1200 / 300	BPZ-FPP-1200/300-BL	134204	1
1200 / 500	BPZ-FPP-1200/500-BL	134205	1
<b>Weiß</b>			
400 / 150	BPZ-FPP-400/150-BL-W	120737	1
400 / 300	BPZ-FPP-400/300-BL-W	108296	1
600 / 150	BPZ-FPP-600/150-BL-W	120738	1
600 / 300	BPZ-FPP-600/300-BL-W	108297	1
600 / 500	BPZ-FPP-600/500-BL-W	108298	1
800 / 150	BPZ-FPP-800/150-BL-W	120739	1
800 / 300	BPZ-FPP-800/300-BL-W	108299	1
800 / 500	BPZ-FPP-800/500-BL-W	108330	1
1000 / 150	BPZ-FPP-1000/150-BL-W	120740	1
1000 / 300	BPZ-FPP-1000/300-BL-W	134206	1
1000 / 500	BPZ-FPP-1000/500-BL-W	134207	1
1200 / 150	BPZ-FPP-1200/150-BL-W	120741	1
1200 / 300	BPZ-FPP-1200/300-BL-W	134208	1
1200 / 500	BPZ-FPP-1200/500-BL-W	134209	1

VT25506



Width (mm) / Height (mm) / RMQ (pcs.)	Type Designation	Article No.	Units per package
<b>Front Plates for Command Devices RMQ-Titan, BPZ-FP-...-RMQ</b>			
<ul style="list-style-type: none"> <li>• Sheet steel</li> <li>• self-earthing fasteners</li> </ul>			
<b>Grey</b>			
400 / 100 / 7	BPZ-FP-400/100-RMQ	108370	1
600 / 100 / 12	BPZ-FP-600/100-RMQ	108371	1
<b>White</b>			
400 / 100 / 7	BPZ-FP-400/100-RMQ-W	108372	1
600 / 100 / 12	BPZ-FP-600/100-RMQ-W	108373	1

wa\_vt10414, wa\_vt10714


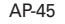

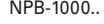
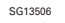





Description	Type Designation	Article No.	Units per package
<b>Blanking strip BS-...-WH</b>			
<ul style="list-style-type: none"> <li>• For all Eaton distribution boards</li> </ul>			
Blanking strip, white, fine-ribbed, 12MU	BS-12MF-WH	178975	10/100
Blanking strip, grey, fine-ribbed, 12MU	BS-12MF-GY	178980	10/100
Blanking strip, white, fine-ribbed, 6MU	BS-6MF-WH	178976	10/100
Blanking strip, white, rough-ribbed, 12MU	BS-12MB-WH	178977	10/100
Blanking strip, grey, rough-ribbed, 12MU	BS-12MB-GY	178979	10/100
Blanking strip, white, rough-ribbed, 6MU	BS-6MB-WH	178978	10/100

xEnergy Basic



# Distribution Boards

   	<table border="1"> <thead> <tr> <th>Description</th> <th>Type Designation</th> <th>Article No.</th> <th>Units per package</th> </tr> </thead> <tbody> <tr> <td colspan="4"><b>Blanking Strips</b></td> </tr> <tr> <td>Blanking strip, white, 2x 10 mod. incl. wedges</td> <td>AP-45</td> <td>275410</td> <td>2 units</td> </tr> <tr> <td>Blanking strip, grey, 1m long</td> <td>NBP-1000</td> <td>275413</td> <td>1 unit</td> </tr> <tr> <td>Blanking strip, white, 1m long</td> <td>NBP-1000-W</td> <td>101666</td> <td>1 unit</td> </tr> </tbody> </table>	Description	Type Designation	Article No.	Units per package	<b>Blanking Strips</b>				Blanking strip, white, 2x 10 mod. incl. wedges	AP-45	275410	2 units	Blanking strip, grey, 1m long	NBP-1000	275413	1 unit	Blanking strip, white, 1m long	NBP-1000-W	101666	1 unit												
Description	Type Designation	Article No.	Units per package																														
<b>Blanking Strips</b>																																	
Blanking strip, white, 2x 10 mod. incl. wedges	AP-45	275410	2 units																														
Blanking strip, grey, 1m long	NBP-1000	275413	1 unit																														
Blanking strip, white, 1m long	NBP-1000-W	101666	1 unit																														
 	<table border="1"> <thead> <tr> <th>Width (mm) / Height (mm) / MU</th> <th>Type Designation</th> <th>Article No.</th> <th>Units per package</th> </tr> </thead> <tbody> <tr> <td colspan="4"><b>Blanking Strip for SASY 60i, AM-195/54</b></td> </tr> <tr> <td colspan="4"> <ul style="list-style-type: none"> <li>plastic cover for SASY 60i cut outs, RAL 7035</li> <li>to clip on and click onto place</li> <li>possibility to shorten</li> </ul> </td> </tr> <tr> <td>54 / 195 / 3</td> <td>AM-195/45</td> <td>107963</td> <td>1</td> </tr> </tbody> </table>	Width (mm) / Height (mm) / MU	Type Designation	Article No.	Units per package	<b>Blanking Strip for SASY 60i, AM-195/54</b>				<ul style="list-style-type: none"> <li>plastic cover for SASY 60i cut outs, RAL 7035</li> <li>to clip on and click onto place</li> <li>possibility to shorten</li> </ul>				54 / 195 / 3	AM-195/45	107963	1																
Width (mm) / Height (mm) / MU	Type Designation	Article No.	Units per package																														
<b>Blanking Strip for SASY 60i, AM-195/54</b>																																	
<ul style="list-style-type: none"> <li>plastic cover for SASY 60i cut outs, RAL 7035</li> <li>to clip on and click onto place</li> <li>possibility to shorten</li> </ul>																																	
54 / 195 / 3	AM-195/45	107963	1																														
 	<table border="1"> <thead> <tr> <th>Description</th> <th>Type Designation</th> <th>Article No.</th> <th>Units per package</th> </tr> </thead> <tbody> <tr> <td colspan="4"><b>Front plate screw, BPZ-FPV</b></td> </tr> <tr> <td colspan="4"> <ul style="list-style-type: none"> <li>replacement part</li> <li>plastic part incl. sealing screw and standard screw</li> <li>delivery in component parts</li> </ul> </td> </tr> <tr> <td colspan="4"><b>Single packaged</b></td> </tr> <tr> <td>Closure with grounding connection</td> <td>BPZ-FPV</td> <td>120721</td> <td>1</td> </tr> <tr> <td colspan="4"><b>200 pcs. loose parts in the box</b></td> </tr> <tr> <td>Closure with grounding connection</td> <td>BPZ-FPV-E</td> <td>180441 *)</td> <td>200</td> </tr> <tr> <td colspan="4">*) Article No. and price per piece</td> </tr> </tbody> </table>	Description	Type Designation	Article No.	Units per package	<b>Front plate screw, BPZ-FPV</b>				<ul style="list-style-type: none"> <li>replacement part</li> <li>plastic part incl. sealing screw and standard screw</li> <li>delivery in component parts</li> </ul>				<b>Single packaged</b>				Closure with grounding connection	BPZ-FPV	120721	1	<b>200 pcs. loose parts in the box</b>				Closure with grounding connection	BPZ-FPV-E	180441 *)	200	*) Article No. and price per piece			
Description	Type Designation	Article No.	Units per package																														
<b>Front plate screw, BPZ-FPV</b>																																	
<ul style="list-style-type: none"> <li>replacement part</li> <li>plastic part incl. sealing screw and standard screw</li> <li>delivery in component parts</li> </ul>																																	
<b>Single packaged</b>																																	
Closure with grounding connection	BPZ-FPV	120721	1																														
<b>200 pcs. loose parts in the box</b>																																	
Closure with grounding connection	BPZ-FPV-E	180441 *)	200																														
*) Article No. and price per piece																																	

# Distribution Boards

VT00805



VT24806



Width / Height (mm)	Type Designation	Article No.	Units per package
<b>Universal Mounting Plate, BPZ-MPL</b>			
<ul style="list-style-type: none"> <li>• suitable for mounting into flush-, surface- and floorstanding boards</li> <li>• screws included</li> </ul>			
400 / 30	BPZ-MPL30-400	104316	1
600 / 30	BPZ-MPL30-600	104317	1
800 / 30	BPZ-MPL30-800	104318	1
1000 / 30	BPZ-MPL30-1000	104319	1
1200 / 30	BPZ-MPL30-1200	104330	1
400 / 80	BPZ-MPL80-400	286765	1
600 / 80	BPZ-MPL80-600	286766	1
800 / 80	BPZ-MPL80-800	286767	1
1000 / 80	BPZ-MPL80-1000	293609	1
1200 / 80	BPZ-MPL80-1200	293610	1
400 / 100	BPZ-MPL100-400	114799	1
425 / 100 *)	BPZ-MPL100-425	114800	1
600 / 100	BPZ-MPL100-600	114801	1
800 / 100	BPZ-MPL100-800	114802	1
1000 / 100	BPZ-MPL100-1000	114803	1
1200 / 100	BPZ-MPL100-1200	114804	1
400 / 180	BPZ-MPL180-400	102472	1
600 / 180	BPZ-MPL180-600	102473	1
800 / 180	BPZ-MPL180-800	102474	1
1000 / 180	BPZ-MPL180-1000	102475	1
1200 / 180	BPZ-MPL180-1200	102476	1
400 / 200	BPZ-MPL200-400	114805	1
425 / 200 *)	BPZ-MPL200-425	114806	1
600 / 200	BPZ-MPL200-600	114807	1
800 / 200	BPZ-MPL200-800	114808	1
1000 / 200	BPZ-MPL200-1000	114809	1
1200 / 200	BPZ-MPL200-1200	114810	1
400 / 300	BPZ-MPL300-400	114811	1
425 / 300 *)	BPZ-MPL300-425	114812	1
600 / 300	BPZ-MPL300-600	114813	1
800 / 300	BPZ-MPL300-800	114814	1
1000 / 300	BPZ-MPL300-1000	114815	1
1200 / 300	BPZ-MPL300-1200	114816	1
400 / 280	BPZ-MPL350-400	108333	1
600 / 280	BPZ-MPL350-600	108340	1
800 / 280	BPZ-MPL350-800	108347	1
1000 / 280	BPZ-MPL350-1000	153022	1
1200 / 280	BPZ-MPL350-1200	153023	1
400 / 400	BPZ-MPL400-400	114817	1
425 / 400 *)	BPZ-MPL400-425	114818	1
600 / 400	BPZ-MPL400-600	114819	1
800 / 400	BPZ-MPL400-800	114820	1
1000 / 400	BPZ-MPL400-1000	114821	1
1200 / 400	BPZ-MPL400-1200	114822	1
400 / 500	BPZ-MPL500-400	114823	1
425 / 500 *)	BPZ-MPL500-425	114824	1
600 / 500	BPZ-MPL500-600	114825	1
800 / 500	BPZ-MPL500-800	114826	1
1000 / 500	BPZ-MPL500-1000	114827	1
1200 / 500	BPZ-MPL500-1200	114828	1
400 / 580	BPZ-MPL650-400	108334	1
600 / 580	BPZ-MPL650-600	108341	1
800 / 580	BPZ-MPL650-800	108348	1
1000 / 580	BPZ-MPL650-1000	153024	1
1200 / 580	BPZ-MPL650-1200	153025	1
400 / 880	BPZ-MPL950-400	108335	1
600 / 880	BPZ-MPL950-600	108342	1
800 / 880	BPZ-MPL950-800	108349	1
1000 / 880	BPZ-MPL950-1000	153026	1
1200 / 880	BPZ-MPL950-1200	153027	1
400 / 1080	BPZ-MPL1150-400	108336	1
600 / 1080	BPZ-MPL1150-600	108343	1
800 / 1080	BPZ-MPL1150-800	108350	1
1000 / 1080	BPZ-MPL1150-1000	153028	1
1200 / 1080	BPZ-MPL1150-1200	153029	1

\*) only for mounting in XVTL

# Distribution Boards

VT24806



Width / Height (mm)	Type Designation	Article No.	Units per package
400 / 1380	BPZ-MPL1450-400	108337	1
600 / 1380	BPZ-MPL1450-600	108344	1
800 / 1380	BPZ-MPL1450-800	108351	1
1000 / 1380	BPZ-MPL1450-1000	153030	1
1200 / 1380	BPZ-MPL1450-1200	153031	1
400 / 1580	BPZ-MPL1650-400	108338	1
600 / 1580	BPZ-MPL1650-600	108345	1
800 / 1580	BPZ-MPL1650-800	108352	1
1000 / 1580	BPZ-MPL1650-1000	153032	1
1200 / 1580	BPZ-MPL1650-1200	153033	1
400 / 1880	BPZ-MPL1950-400	108339	1
600 / 1880	BPZ-MPL1950-600	108346	1
800 / 1880	BPZ-MPL1950-800	108353	1
1000 / 1880	BPZ-MPL1950-1000	153034	1
1200 / 1880	BPZ-MPL1950-1200	153035	1

Width (mm) / Height (mm)	Type Designation	Article No.	Units per package
--------------------------	------------------	-------------	-------------------

### Mounting-Set for max. Installation depth, BPZ-KIT-MPL-...

- set contains bended mounting plate, bended front plate and screws
- for max. installation depth 224mm
- mounting plate with steel front plate

#### Grey

400 / 300	BPZ-KIT-MPL-400	134210	1
600 / 300	BPZ-KIT-MPL-600	134211	1
800 / 300	BPZ-KIT-MPL-800	134212	1
1000 / 300 *)	BPZ-KIT-MPL-1000	134213	1
1200 / 300 *)	BPZ-KIT-MPL-1200	134214	1

#### White

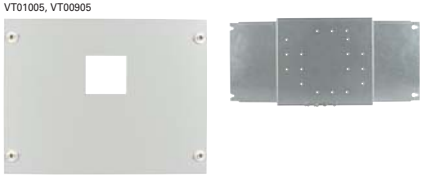

400 / 300	BPZ-KIT-MPL-400-W	134215	1
600 / 300	BPZ-KIT-MPL-600-W	134216	1
800 / 300	BPZ-KIT-MPL-800-W	134217	1
1000 / 300 *)	BPZ-KIT-MPL-1000-W	134218	1
1200 / 300 *)	BPZ-KIT-MPL-1200-W	134219	1

\*) only for installation in the floor-standing distribution board from depth 300 mm









wa\_vt27513








# Distribution Boards

	Width / Height (mm)	Type Designation	Article No.	Units per package
<b>Mounting Set, BPZ-NZM</b>				
• kits for NZM1, 2 and 3 (horizontal or vertical), front plate and screws included				
<b>Vertical - grey</b>				
	400 / 300	BPZ-NZM1-400-MV	286757	1
	400 / 400	BPZ-NZM2-400-MV	286758	1
	400 / 500	BPZ-NZM3-400-MV	286759	1
	600 / 300	BPZ-NZM1-600-MV	286762	1
	600 / 400	BPZ-NZM2-600-MV	286763	1
	600 / 500	BPZ-NZM3-600-MV	286764	1
	800 / 300	BPZ-NZM1-800-MV	293603	1
	800 / 400	BPZ-NZM2-800-MV	293605	1
	800 / 500	BPZ-NZM3-800-MV	293607	1
<b>Vertical - white</b>				
	400 / 300	BPZ-NZM1-400-MV-W	292473	1
	400 / 400	BPZ-NZM2-400-MV-W	292474	1
	400 / 500	BPZ-NZM3-400-MV-W	292475	1
	600 / 300	BPZ-NZM1-600-MV-W	292478	1
	600 / 400	BPZ-NZM2-600-MV-W	292479	1
	600 / 500	BPZ-NZM3-600-MV-W	292480	1
	800 / 300	BPZ-NZM1-800-MV-W	293604	1
	800 / 400	BPZ-NZM2-800-MV-W	293606	1
	800 / 500	BPZ-NZM3-800-MV-W	293608	1
<b>Horizontal - grey</b>				
	400 / 200	BPZ-NZM1-400-MH	173601	1
	400 / 200	BPZ-NZM2-400-MH	173602	1
	600 / 200	BPZ-NZM1-600-MH	286760	1
	600 / 200	BPZ-NZM2-600-MH	286761	1
	600 / 300	BPZ-NZM3-600-MH	120750	1
	800 / 200	BPZ-NZM1-800-MH	293599	1
	800 / 200	BPZ-NZM2-800-MH	293601	1
	800 / 300	BPZ-NZM3-800-MH	120751	1
<b>Horizontal - white</b>				
	600 / 200	BPZ-NZM1-600-MH-W	292476	1
	600 / 200	BPZ-NZM2-600-MH-W	292477	1
	600 / 300	BPZ-NZM3-600-MH-W	120752	1
	800 / 200	BPZ-NZM1-800-MH-W	293600	1
	800 / 200	BPZ-NZM2-800-MH-W	293602	1
	800 / 300	BPZ-NZM3-800-MH-W	120753	1

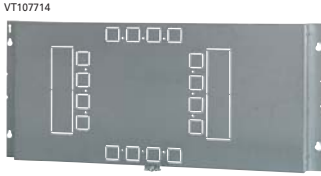


# Distribution Boards

	Width (mm) / Height (mm)	Type Designation	Article No.	Units per package
<b>Mounting-Set for NZM with rotary door handle, BPZ-NZM...-RH</b>				
 v100905	<b>Vertical - grey</b>			
	400 / 300	BPZ-NZM1-400-MV-RH	116679	1
	400 / 400	BPZ-NZM2-400-MV-RH	116680	1
	400 / 500	BPZ-NZM3-400-MV-RH	116681	1
	600 / 300	BPZ-NZM1-600-MV-RH	116682	1
	600 / 400	BPZ-NZM2-600-MV-RH	116683	1
	800 / 300	BPZ-NZM1-800-MV-RH	116684	1
800 / 400	BPZ-NZM2-800-MV-RH	116685	1	
 v103205	<b>Vertical - white</b>			
	400 / 300	BPZ-NZM1-400-MV-RH-W	105217	1
	400 / 400	BPZ-NZM2-400-MV-RH-W	105218	1
	400 / 500	BPZ-NZM3-400-MV-RH-W	105527	1
	600 / 300	BPZ-NZM1-600-MV-RH-W	105219	1
	600 / 400	BPZ-NZM2-600-MV-RH-W	105520	1
	800 / 300	BPZ-NZM1-800-MV-RH-W	105521	1
800 / 400	BPZ-NZM2-800-MV-RH-W	105522	1	
 v100905	<b>Horizontal - grey</b>			
	600 / 200	BPZ-NZM1-600-MH-RH	116686	1
	600 / 200	BPZ-NZM2-600-MH-RH	116687	1
	800 / 200	BPZ-NZM1-800-MH-RH	116688	1
800 / 200	BPZ-NZM2-800-MH-RH	116689	1	
 v103205	<b>Horizontal - white</b>			
	600 / 200	BPZ-NZM1-600-MH-RH-W	105523	1
	600 / 200	BPZ-NZM2-600-MH-RH-W	105524	1
	800 / 200	BPZ-NZM1-800-MH-RH-W	105525	1
800 / 200	BPZ-NZM2-800-MH-RH-W	105526	1	
<b>Mounting-Set NZM for MSW, BPZ-NZM./MSW</b>				
<ul style="list-style-type: none"> <li>• mounting on MSW</li> <li>• mounting with BEL into side wall (MSW)</li> </ul>				
 vt10908, VT01005	<b>Vertical - grey</b>			
	400 / 300	BPZ-NZM1/MSW-400-MV	116923	1
	400 / 400	BPZ-NZM2/MSW-400-MV	116924	1
	600 / 300	BPZ-NZM1/MSW-600-MV	116925	1
	600 / 400	BPZ-NZM2/MSW-600-MV	116926	1
	800 / 300	BPZ-NZM1/MSW-800-MV	116927	1
	800 / 400	BPZ-NZM2/MSW-800-MV	116928	1
 VT10908, VT03205	<b>Vertical - white</b>			
	400 / 300	BPZ-NZM1/MSW-400-MV-W	116929	1
	400 / 400	BPZ-NZM2/MSW-400-MV-W	116930	1
	600 / 300	BPZ-NZM1/MSW-600-MV-W	116931	1
	600 / 400	BPZ-NZM2/MSW-600-MV-W	116932	1
	800 / 300	BPZ-NZM1/MSW-800-MV-W	116933	1
	800 / 400	BPZ-NZM2/MSW-800-MV-W	116934	1
 VT10908, VT03205	<b>Horizontal - grey</b>			
	600 / 200	BPZ-NZM1/MSW-600-MH	116935	1
	600 / 200	BPZ-NZM2/MSW-600-MH	116936	1
	800 / 200	BPZ-NZM1/MSW-800-MH	116937	1
800 / 200	BPZ-NZM2/MSW-800-MH	116938	1	
 VT10908, VT03205	<b>Horizontal - white</b>			
	600 / 200	BPZ-NZM1/MSW-600-MH-W	116939	1
	600 / 200	BPZ-NZM2/MSW-600-MH-W	116940	1
	800 / 200	BPZ-NZM1/MSW-800-MH-W	116941	1
800 / 200	BPZ-NZM2/MSW-800-MH-W	116942	1	

# Distribution Boards

	Width (mm)	Type Designation	Article No.	Units per package	
<b>Mounting Plate for multiple mounting NZM, BPZ-MPL-NZM...-...-MV</b>					
<ul style="list-style-type: none"> <li>• without front plate</li> <li>• for vertical use of NZM switches</li> </ul>					
 vt125114	400	BPZ-MPL-NZM1X-400-MV	120742	1	
	600	BPZ-MPL-NZM1X-600-MV	120743	1	
	800	BPZ-MPL-NZM1X-800-MV	120744	1	
	1000	BPZ-MPL-NZM1X-1000-MV	173619	1	
	1200	BPZ-MPL-NZM1X-1200-MV	173620	1	
	 vt125014	400	BPZ-MPL-NZM2X-400-MV	120745	1
		600	BPZ-MPL-NZM2X-600-MV	120746	1
		800	BPZ-MPL-NZM2X-800-MV	120747	1
		1000	BPZ-MPL-NZM2X-1000-MV	173621	1
		1200	BPZ-MPL-NZM2X-1200-MV	173622	1
	600	BPZ-MPL-NZM3X-600-MV	120748	1	
	800	BPZ-MPL-NZM3X-800-MV	120749	1	
	1000	BPZ-MPL-NZM3X-1000-MV	173623	1	
	1200	BPZ-MPL-NZM3X-1200-MV	173624	1	
	400 *)	BPZ-MPL-NZM4-400-MV-XVTL	182593	1	
600 *)	BPZ-MPL-NZM4-600-MV-XVTL	174586	1		
800 *)	BPZ-MPL-NZM4X-800-MV-XVTL	174587	1		
1000 *)	BPZ-MPL-NZM4X-1000-MV-XVTL	174588	1		
*) only for mounting in the XVTL system					
	Width (mm) / Height (mm) / max. No. of 3-/4-pole NZM	Type Designation	Article No.	Units per package	
<b>Front plate multiple mounting NZM, BPZ-FP</b>					
<ul style="list-style-type: none"> <li>• sheet steel</li> <li>• fastening connected with electrical grounding</li> <li>• prepared cut-outs in the front plate</li> <li>• without mounting plate</li> <li>• incl. cover for not used openings (NZM2, NZM3 and NZM4)</li> <li>• use AP-45 cover strip with NZM1 front plates</li> </ul>					
<b>Vertical - grey</b>					
 VT32014	400 / 200 / 2xNZM1/2xNZM1	BPZ-FP-400/200-45	286680	1	
	600 / 200 / 4xNZM1/3xNZM1	BPZ-FP-600/200-45	286686	1	
	800 / 200 / 7xNZM1/5xNZM1	BPZ-FP-800/200-45	286692	1	
	1000 / 200 / 9xNZM1/6xNZM1	BPZ-FP-1000/200-45	293536	1	
	1200 / 200 / 11xNZM1/8xNZM1	BPZ-FP-1200/200-45	293548	1	
 VT31714	400 / 300 / 2xNZM2/--	BPZ-FP-NZM2X-2/0-400-MV	173607	1	
	600 / 300 / 3xNZM2/2xNZM2	BPZ-FP-NZM2X-3/2-600-MV	173608	1	
	800 / 300 / 4xNZM2/4xNZM2	BPZ-FP-NZM2X-4/4-800-MV	173609	1	
	1000 / 300 / 4xNZM2/4xNZM2	BPZ-FP-NZM2X-4/4-1000-MV	173610	1	
	1200 / 300 / 4xNZM2/4xNZM2	BPZ-FP-NZM2X-4/4-1200-MV	173611	1	
	600 / 500 / 2xNZM3/2xNZM3	BPZ-FP-NZM3X-2/2-600-MV	173612	1	
	800 / 500 / 3xNZM3/3xNZM3	BPZ-FP-NZM3X-3/3-800-MV	173613	1	
	1000 / 500 / 3xNZM3/3xNZM3	BPZ-FP-NZM3X-3/3-1000-MV	173614	1	
	1200 / 500 / 3xNZM3/3xNZM3	BPZ-FP-NZM3X-3/3-1200-MV	173615	1	
	800 / 800 / 2xNZM4/2xNZM4 *)	BPZ-FP-NZM4X-2/2-800-MV-XVTL	173616	1	
	1000 / 800 / 3xNZM4/2xNZM4 *)	BPZ-FP-NZM4X-3/2-1000-MV-XVTL	173617	1	
	1200 / 800 / 3xNZM4/3xNZM4 *)	BPZ-FP-NZM4X-3/3-1200-MV-XVTL	173618	1	
	*) only for mounting in the XVTL system				
	<b>Front plate single mounting NZM4, BPZ-FP-NZM4-...-M.-XVTL</b>				
	<ul style="list-style-type: none"> <li>• sheet steel</li> <li>• fastening connected with electrical grounding</li> <li>• prepared cut-outs in the front plate</li> <li>• without mounting plate</li> <li>• only for mounting in the XVTL system</li> </ul>				
 VT31814	400 / 800 / 1xNZM4 vertical	BPZ-FP-NZM4-400-MV-XVTL	173603	1	
	600 / 800 / 1xNZM4 vertical	BPZ-FP-NZM4-600-MV-XVTL	173604	1	
	800 / 800 / 1xNZM4 vertical	BPZ-FP-NZM4-800-MV-XVTL	173605	1	
	800 / 400 / 1xNZM4 horizontal	BPZ-FP-NZM4-800-MH-XVTL	173606	1	

# Distribution Boards

	Width (mm) / max. No. of NZM	Type Designation	Article No.	Units per package
 <p>VT107714</p>	<b>Mounting Plate NZM symmetrical, prepared for rear connection, BPZ-MPL-NZM...-MX</b> <ul style="list-style-type: none"> <li>without front plate</li> <li>for vertical and horizontal use of NZM switches</li> <li>only 1 NZM with horizontal use</li> </ul>			
	600 / 3xNZM1 vertical	BPZ-MPL-NZM1X-600-MX	174390	1
	800 / 4xNZM1 vertical	BPZ-MPL-NZM1X-800-MX	174399	1
	600 / 2xNZM2 vertical	BPZ-MPL-NZM2X-600-MX	174391	1
	800 / 3xNZM2 vertical	BPZ-MPL-NZM2X-800-MX	174400	1
	600 / 1xNZM3 vertical	BPZ-MPL-NZM3-600-MX	174395	1
	800 / 1xNZM3 vertical	BPZ-MPL-NZM3-800-MX	174404	1
	600 / 1xNZM4 vertical *)	BPZ-MPL-NZM4-600-MX-XVTL	174397	1
	800 / 1xNZM4 vertical *)	BPZ-MPL-NZM4-800-MX-XVTL	174406	1
	*) only for mounting in the XVTL system			
 <p>VT106314</p>	MU / suitable for	Type Designation	Article No.	Units per package
	<b>DIN-Rail for mounting plate NZM1 symmetrical, BPZ-DINR</b> <ul style="list-style-type: none"> <li>installation onto mounting plate BPZ-MPL-NZM1X...-MX</li> <li>in case of use 1xNZM1 vertical</li> </ul>			
	17 / Art.-No. 174390	BPZ-DINR17-MPL-NZM1X-600-MV	174382	10
27 / Art.-No. 174399	BPZ-DINR27-MPL-NZM1X-800-MV	174383	10	
 <p>VT106414</p>		Type Designation	Article No.	Units per package
	<b>Mounting Kit for max. installation depth of the mounting plate NZM symmetrical, BPZ-KIT-MPL-NZMX-XDV/XMV/XR-XVTL</b> <ul style="list-style-type: none"> <li>for mounting of NZM.-XDV, NZM.-XMV or NZM.-XR... onto the mounting plate</li> <li>per mounting plate 1 kit is needed</li> </ul>			
		BPZ-KIT-MPL-NZMX-XDV/XMV/XR-XVTL	174381	1

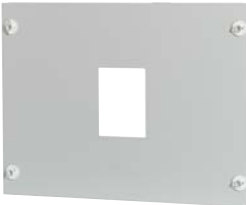
# Distribution Boards

Width (mm) / Height (mm) / max. No. of 4-pole NZM	Type Designation	Article No.	Units per package
<b>Front plate NZM symmetrical, BPZ-FP/S</b>			
<ul style="list-style-type: none"> <li>• sheet steel</li> <li>• fastening connected with electrical grounding</li> <li>• prepared cut-outs in the front plate</li> <li>• without mounting plate</li> <li>• only useful in combination with mounting plate NZM symmetrical</li> </ul>			
<b>Vertical - grey</b>			
600 / 200 / 3xNZM1	BPZ-FP-600/200-45	286686	1
600 / 200 / 1xNZM1+XFI	BPZ-FP-600/200-45	286686	1
600 / 300 / 1xNZM2	BPZ-FP/S-NZM2-600-MV	174392	1
600 / 300 / 2xNZM2	BPZ-FP/S-NZM2X-2/2-600-MV	174393	1
600 / 400 / 1xNZM2+XFI	BPZ-FP/S-NZM2-XFI-600-MV	174394	1
600 / 400 / 1xNZM3	BPZ-FP/S-NZM3-600-MV	174396	1
600 / 400 / 1xNZM3+XDV	BPZ-FP/S-NZM3-XDV-600-MV	177327	1
600 / 600 / 1xNZM4 <sup>*)</sup>	BPZ-FP/S-NZM4-600-MV-XVTL	174398	1
600 / 600 / 1xNZM4+XDV <sup>*)</sup>	BPZ-FP/S-NZM4-XDV-600-MV-XVTL	177328	1
800 / 200 / 4xNZM1	BPZ-FP-800/200-45	286692	1
800 / 200 / 2xNZM1+XFI	BPZ-FP-800/200-45	286692	1
800 / 300 / 1xNZM2	BPZ-FP/S-NZM2-800-MV	174401	1
800 / 300 / 3xNZM2	BPZ-FP/S-NZM2X-3/3-800-MV	174402	1
800 / 400 / 1xNZM2+XFI	BPZ-FP/S-NZM2-XFI-800-MV	174403	1
800 / 400 / 1xNZM3	BPZ-FP/S-NZM3-800-MV	174405	1
800 / 400 / 1xNZM3+XDV	BPZ-FP/S-NZM3-XDV-800-MV	177329	1
800 / 600 / 1xNZM4 <sup>*)</sup>	BPZ-FP/S-NZM4-800-MV-XVTL	174407	1
800 / 600 / 1xNZM4+XDV <sup>*)</sup>	BPZ-FP/S-NZM4-XDV-800-MV-XVTL	177330	1
*) only for mounting in the XVTL system			
<b>Horizontal - grey</b>			
600 / 200 / 1xNZM1	BPZ-FP/S-NZM1-600-MH	174408	1
600 / 200 / 1xNZM2	BPZ-FP/S-NZM2-600-MH	174409	1
600 / 200 / 1xNZM2+XFI	BPZ-FP/S-NZM2-XFI-600-MH	174410	1
600 / 400 / 1xNZM3	BPZ-FP/S-NZM3-600-MH	174411	1
600 / 400 / 1xNZM3+XDV	BPZ-FP/S-NZM3-XDV-600-MH	177331	1
600 / 600 / 1xNZM4 <sup>*)</sup>	BPZ-FP-NZM4-600-MH-XVTL	174375	1
600 / 600 / 1xNZM4+XDV <sup>*)</sup>	BPZ-FP-NZM4-XDV-600-MH-XVTL	177332	1
800 / 200 / 1xNZM1	BPZ-FP/S-NZM1-800-MH	174376	1
800 / 200 / 1xNZM2	BPZ-FP/S-NZM2-800-MH	174377	1
800 / 200 / 1xNZM2+XFI	BPZ-FP/S-NZM2-XFI-800-MH	174378	1
800 / 400 / 1xNZM3	BPZ-FP/S-NZM3-800-MH	174379	1
800 / 400 / 1xNZM3+XDV	BPZ-FP/S-NZM3-XDV-800-MH	177333	1
800 / 600 / 1xNZM4 <sup>*)</sup>	BPZ-FP/S-NZM4-800-MH-XVTL	174380	1
800 / 600 / 1xNZM4+XDV <sup>*)</sup>	BPZ-FP/S-NZM4-XDV-800-MH-XVTL	177334	1
*) only for mounting in the XVTL system			

VT107114



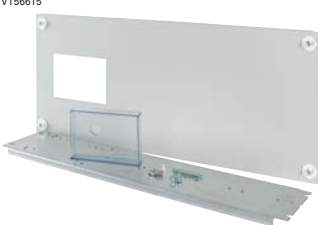


VT107014





# Distribution Boards

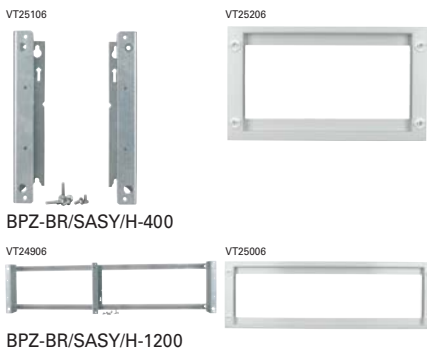
	Width (mm) / Height (mm)	Type Designation	Article No.	Units per package	
 <p>wa_vt11314, wa_vt11414</p>	<b>Mounting Set BZM for multiple mounting, BPZ-BZM1/2</b> <ul style="list-style-type: none"> <li>• for BZM1 and BZM2 mounting (2-, 3- and 4-pole)</li> <li>• mounting plate with steel front plate (300 mm) with cutout (45 mm)</li> </ul>				
	<b>Grey</b>				
	400 / 300	BPZ-BZM1/2-400-MV	144222	1	
	600 / 300	BPZ-BZM1/2-600-MV	144223	1	
	800 / 300	BPZ-BZM1/2-800-MV	144224	1	
	1000 / 300	BPZ-BZM1/2-1000-MV	144225	1	
	1200 / 300	BPZ-BZM1/2-1200-MV	144226	1	
	<b>White</b>				
	400 / 300	BPZ-BZM1/2-400-MV-W	144227	1	
	600 / 300	BPZ-BZM1/2-600-MV-W	144228	1	
	800 / 300	BPZ-BZM1/2-800-MV-W	144229	1	
	1000 / 300	BPZ-BZM1/2-1000-MV-W	144230	1	
	1200 / 300	BPZ-BZM1/2-1200-MV-W	144231	1	
 <p>VT56715</p>	<b>Mounting Set for Dumeco Load Disconnecter, BPZ-DMV</b> <ul style="list-style-type: none"> <li>• for size 160 A to 400 A (3 and 4 poles)</li> <li>• set consisting of mounting plate and steel front panel, with prepared cut-out</li> <li>• rotary handle (not included in the scope of delivery) can directly be fixed at the front panel</li> <li>• with width 600/800 mm additional busbar carriers and terminals can be fixed directly next to the switchgear (incl. prepared mounting holes for BPZ-BBS-4/250)</li> </ul>				
	<b>Grey</b>				
	400 / 300	BPZ-DMV160/400-400-RH	182581	1	
	600 / 300	BPZ-DMV160/400-600-RH	182582	1	
	800 / 300	BPZ-DMV160/400-800-RH	182583	1	
	<b>White</b>				
	400 / 300	BPZ-DMV160/400-400-RH-W	182584	1	
	600 / 300	BPZ-DMV160/400-600-RH-W	182585	1	
	800 / 300	BPZ-DMV160/400-800-RH-W	182586	1	
	 <p>VT56615</p>	<b>Mounting Set for NH Fuse Load Disconnecter QSA, BPZ-QSA</b> <ul style="list-style-type: none"> <li>• for size 63 A to 160 A (3 and 4 poles)</li> <li>• set consisting of mounting plate and steel front panel with prepared cut-out</li> <li>• rotary handle (not included in the scope of delivery) can directly be fixed at the switchgear cover</li> <li>• with width 600/800 mm additional busbar carriers and terminals can be fixed directly next to the switchgear (incl. prepared mounting holes for BPZ-BBS-4/250)</li> </ul>			
		<b>Grey</b>			
		400 / 300	BPZ-QSA63/160-400-RH	182587	1
		600 / 300	BPZ-QSA63/160-600-RH	182588	1
800 / 300		BPZ-QSA63/160-800-RH	182589	1	
<b>White</b>					
400 / 300		BPZ-QSA63/160-400-RH-W	182590	1	
600 / 300		BPZ-QSA63/160-600-RH-W	182591	1	
800 / 300		BPZ-QSA63/160-800-RH-W	182592	1	

xEnergy Basic

# Distribution Boards

Width (mm) / Height (mm) / Max. number of 3 or 4-pole XNH	Type Designation	Article No.	Units per package
<b>Mounting Set for NH Fuse Disconnecter Switches XNH, BPZ-XNH</b>			
<ul style="list-style-type: none"> <li>• For size 160 A to 630 A (3 and 4 poles - of XNH2 only 3-pole version available)</li> <li>• Single and multiple mounting is possible on a mounting plate</li> <li>• Set includes mounting plate and steel front panel with a cut-out prepared at the factory</li> <li>• For multiple mounting or when using 4-pole devices, the holes in the front panel need to be knocked out accordingly, pre-punched areas are available according to the specified maximum number</li> </ul>			
<b>Grey</b>			
400 / 300 / 2xXNH00/1xXNH00	BPZ-XNH00X-2/1-400-MV	184548	1
600 / 300 / 4xXNH00/1xXNH00	BPZ-XNH00X-4/1-600-MV	184549	1
800 / 300 / 6xXNH00/1xXNH00	BPZ-XNH00X-6/1-800-MV	184550	1
400 / 450 / 1xXNH1/-	BPZ-XNH1-1/0-400-MV	184551	1
600 / 450 / 2xXNH1/1xXNH1	BPZ-XNH1X-2/1-600-MV	184552	1
800 / 450 / 3xXNH1/1xXNH1	BPZ-XNH1X-3/1-800-MV	184553	1
400 / 450 / 1xXNH2/-	BPZ-XNH2-1/X-400-MV	184554	1
600 / 450 / 2xXNH2/-	BPZ-XNH2X-2/X-600-MV	184555	1
800 / 450 / 3xXNH2/-	BPZ-XNH2X-3/X-800-MV	184556	1
600 / 450 / 1xXNH3/-	BPZ-XNH3-1/0-600-MV	184557	1
800 / 450 / 2xXNH3/1xXNH3	BPZ-XNH3X-2/1-800-MV	184558	1
<b>White</b>			
400 / 300 / 2xXNH00/1xXNH00	BPZ-XNH00X-2/1-400-MV-W	184559	1
600 / 300 / 4xXNH00/1xXNH00	BPZ-XNH00X-4/1-600-MV-W	184560	1
800 / 300 / 6xXNH00/1xXNH00	BPZ-XNH00X-6/1-800-MV-W	184561	1
400 / 450 / 1xXNH1/-	BPZ-XNH1-1/0-400-MV-W	184562	1
600 / 450 / 2xXNH1/1xXNH1	BPZ-XNH1X-2/1-600-MV-W	184563	1
800 / 450 / 3xXNH1/1xXNH1	BPZ-XNH1X-3/1-800-MV-W	184564	1
400 / 450 / 1xXNH2/-	BPZ-XNH2-1/X-400-MV-W	184565	1
600 / 450 / 2xXNH2/-	BPZ-XNH2X-2/X-600-MV-W	184566	1
800 / 450 / 3xXNH2/-	BPZ-XNH2X-3/X-800-MV-W	184519	1
600 / 450 / 1xXNH3/-	BPZ-XNH3-1/0-600-MV-W	184520	1
800 / 450 / 2xXNH3/1xXNH3	BPZ-XNH3X-2/1-800-MV-W	184521	1

Width (mm) / Height (mm) / Max. number of 3-pole XNH of the same size	Type Designation	Article No.	Units per package
<b>Mounting Set for 3-pole IEC Busbar Support 630A SASY 60i prepared for installation of NH fuse disconnecter switches XNH00 on a 60 mm busbar</b>			
<ul style="list-style-type: none"> <li>• Installation on the base frame</li> <li>• Set includes mounting brackets (carrier rail) and steel front panel with a universal cut-out</li> <li>• Empty-space cover AM-195/54 can be used where necessary</li> <li>• SASY support and copper rail are not included in the scope of delivery</li> </ul>			
400 / 300 / 2xXNH00	BPZ-BR/SASY/H-400	108378	1
600 / 300 / 4xXNH00	BPZ-BR/SASY/H-600	108379	1
800 / 300 / 5xXNH00	BPZ-BR/SASY/H-800	108380	1
1000 / 300 / 6xXNH00	BPZ-BR/SASY/H-1000	108381	1
1200 / 300 / 8xXNH00	BPZ-BR/SASY/H-1200	108382	1



xEnergy Basic

# Distribution Boards

Width (mm) / Height (mm) / Max. number of 3-pole XNH of the same size	Type Designation	Article No.	Units per package
<b>Front Panel for NH Fuse Disconnecter Switches XNH installed on a 60 mm (SASY 60i) busbar at the base frame</b> <ul style="list-style-type: none"> <li>• For size 160 A to 630 A (3-pole)</li> <li>• Installation on the base frame (busbar carriers are directly fixed on the rear set-up struts)</li> <li>• Front panel incl. empty-space cover for installation of devices of the same size</li> <li>• When using devices of different sizes the cover needs to be adjusted individually</li> <li>• SASY support and copper busbar are not included in the scope of delivery</li> </ul>			
400 / 450 / 1xXNH1/1xXNH2	BPZ-FP-XNH1/2/SASY-400-MV	184522	1
600 / 450 / 2xXNH1/2xXNH2/1xXNH3	BPZ-FP-XNH1/2/3/SASY-600-MV	184523	1
800 / 450 / 3xXNH1/3xXNH2/2xXNH3	BPZ-FP-XNH1/2/3/SASY-800-MV	184524	1

Poles / Width / Height (mm)	Type Designation	Article No.	Units per package
<b>Mounting Set for IEC Busbar Support 630A SASY 60i, BPZ-BR/SASY/H-...</b> <ul style="list-style-type: none"> <li>• For MSW application</li> <li>• For the 5-pole version - 2 front panels (300 mm and 150 mm)</li> <li>• 1 to 5 poles available</li> <li>• Set consisting of mounting brackets, SASY support, copper busbar, front panel</li> </ul>			
1 / 400 / 100	BPZ-BR/SASY/MSW/H-1/400	152837	1
1 / 600 / 100	BPZ-BR/SASY/MSW/H-1/600	152838	1
1 / 800 / 100	BPZ-BR/SASY/MSW/H-1/800	152839	1
1 / 1000 / 100	BPZ-BR/SASY/MSW/H-1/1000	153020	1
1 / 1200 / 100	BPZ-BR/SASY/MSW/H-1/1200	153021	1
2 / 400 / 200	BPZ-BR/SASY/MSW/H-2/400	120699	1
2 / 600 / 200	BPZ-BR/SASY/MSW/H-2/600	120700	1
2 / 800 / 200	BPZ-BR/SASY/MSW/H-2/800	120701	1
2 / 1000 / 200	BPZ-BR/SASY/MSW/H-2/1000	120702	1
2 / 1200 / 200	BPZ-BR/SASY/MSW/H-2/1200	120703	1
3 / 400 / 300	BPZ-BR/SASY/MSW/H-3/400	120704	1
3 / 600 / 300	BPZ-BR/SASY/MSW/H-3/600	120705	1
3 / 800 / 300	BPZ-BR/SASY/MSW/H-3/800	120706	1
3 / 1000 / 300	BPZ-BR/SASY/MSW/H-3/1000	120707	1
3 / 1200 / 300	BPZ-BR/SASY/MSW/H-3/1200	120708	1
4 / 400 / 300	BPZ-BR/SASY/MSW/H-4/400	120709	1
4 / 600 / 300	BPZ-BR/SASY/MSW/H-4/600	120710	1
4 / 800 / 300	BPZ-BR/SASY/MSW/H-4/800	120711	1
4 / 1000 / 300	BPZ-BR/SASY/MSW/H-4/1000	120712	1
4 / 1200 / 300	BPZ-BR/SASY/MSW/H-4/1200	120713	1
5 / 400 / 450	BPZ-BR/SASY/MSW/H-5/400	120714	1
5 / 600 / 450	BPZ-BR/SASY/MSW/H-5/600	120715	1
5 / 800 / 450	BPZ-BR/SASY/MSW/H-5/800	120716	1
5 / 1000 / 450	BPZ-BR/SASY/MSW/H-5/1000	120717	1
5 / 1200 / 450	BPZ-BR/SASY/MSW/H-5/1200	120718	1

Width / Height (mm)	Type Designation	Article No.	Units per package
<b>Mounting Plate for IEC Busbar Support 630A SASY 60i, BPZ-MPLSASY</b> <ul style="list-style-type: none"> <li>• With pre-prepared mounting holes for SASY 60i</li> <li>• SASY support and copper busbar to be ordered separately</li> </ul>			
425 / 250 *)	BPZ-MPLSASY-425	114829	1
600 / 250	BPZ-MPLSASY-600	114830	1
800 / 250	BPZ-MPLSASY-800	114831	1
1000 / 250	BPZ-MPLSASY-1000	114832	1
1200 / 250	BPZ-MPLSASY-1200	114833	1

\*) only for mounting in the XVTL system






wa\_vt73913



VT01208



# Distribution Boards

	Width (mm) / Height (mm) / Phases	Type Designation	Article No.	Units per package
	<b>Mounting Set for Disjoncteur d'Abonné, BPZ-KIT-PD</b>			
	<b>Grey</b>			
	600 / 350 / 1	BPZ-KIT-PD-600	293611	1
	600 / 650 / 3	BPZ-KIT-PD3-600	102469	1
	<b>White</b>			
	600 / 350 / 1	BPZ-KIT-PD-600-W	293612	1
600 / 650 / 3	BPZ-KIT-PD3-600-W	102470	1	
	<b>Mounting Set for Yellow Tarification, BPZ-KIT-TJ</b>			
	<ul style="list-style-type: none"> <li>• 250 A and 400 A</li> <li>• prepared for Socomec switch together with NZM2 ("250 A") or NZM3 ("400 A") Socomec lateral to NZM; screws included</li> <li>• for boxes of 600 mm width</li> </ul>			
	<b>Grey</b>			
	250A / 400	BPZ-KIT-TJ-250A-600	286768	1
	400A / 450+500	BPZ-KIT-TJ-400A-600	286769	1
	<b>White</b>			
250A / 400	BPZ-KIT-TJ-250A-600-W	292481	1	
400A / 450+500	BPZ-KIT-TJ-400A-600-W	292482	1	
	<b>Sealing angle, BPZ-PW-...</b>			
	<ul style="list-style-type: none"> <li>• sealing angle for IP30 Surface-Mounting board</li> <li>• set includes 2 angles and 8 screws</li> </ul>			
		BPZ-PW-ZVT	120764	1
	<b>Sealing Set, BPZ-SS</b>			
	<ul style="list-style-type: none"> <li>• for sealing of front plates</li> <li>• set consists of 4 pcs. of sealing strips, 4 pcs. of sealing screws M5 and 1 pc. of taptite screw M5</li> </ul>			
		BPZ-SS	116652	1
	<b>Sealing Screw to seal meter trough, BPZ-S</b>			
	<ul style="list-style-type: none"> <li>• sealing screw</li> </ul>			
		BPZ-S	120765	1

# Distribution Boards

	Width / Height (mm) / Meter Plates	Type Designation	Article No.	Units per package	
 <p>VT25906</p>	<b>Meter Troughs, BPZ-MT-...</b>				
	400 / 400 / 1	BPZ-MT-400/400-1	108383	1	
	600 / 400 / 2	BPZ-MT-600/400-2	108384	1	
	800 / 400 / 3	BPZ-MT-800/400-3	108385	1	
	1000 / 400 / 4	BPZ-MT-1000/400-4	108386	1	
	1200 / 400 / 5	BPZ-MT-1200/400-5	108387	1	
	400 / 450 / 1	BPZ-MT-400/450-1	112293	1	
	600 / 450 / 2	BPZ-MT-600/450-2	112294	1	
	800 / 450 / 3	BPZ-MT-800/450-3	112295	1	
	1000 / 450 / 4	BPZ-MT-1000/450-4	112296	1	
	1200 / 450 / 5	BPZ-MT-1200/450-5	112297	1	
	<b>Accessories</b>				
	DIN-Rail Set instead of Meter Plates left or right				
	for height 400 mm	BPZ-DRS-MT/400-1	108388	1	
for height 450 mm	BPZ-DRS-MT/450-1	116042	1		
Standard Meter Plate 370 x 210 mm	ZBR	279261	1		
 <p>wa_vt14613</p>  <p>wa_vt14613</p>	BPZ-DRS-MT/400-1	ZBR			
 <p>VT25806</p>	<b>Meter Troughs, assembled with Meter Plates, BPZ-MT-...-A</b>				
	400 / 450 / 1	BPZ-MT-400/450-1-A	112298	1	
	600 / 450 / 2	BPZ-MT-600/450-2-A	112299	1	
	800 / 450 / 3	BPZ-MT-800/450-3-A	112340	1	
	1000 / 450 / 4	BPZ-MT-1000/450-4-A	112341	1	
	1200 / 450 / 5	BPZ-MT-1200/450-5-A	112342	1	
 <p>VT25706</p>	<b>Meter Troughs Switzerland, BPZ-MT-...-CH</b>				
	400 / 450 / 1	BPZ-MT-400/450-1-CH	109164	1	
	600 / 450 / 1	BPZ-MT-600/450-1-CH	109165	1	
	800 / 450 / 2	BPZ-MT-800/450-2-CH	109166	1	
	1000 / 450 / 3	BPZ-MT-1000/450-3-CH	109167	1	
	1200 / 450 / 4	BPZ-MT-1200/450-4-CH	109168	1	
 <p>VT25806</p>	<b>Meter Troughs, BPZ-MT-MSW-...</b>				
	400 / 400 / 1	BPZ-MT-MSW-400/400-1-A	120767	1	
	400 / 425 / 1	BPZ-MT-MSW-400/425-1-A	120768	1	
	600 / 400 / 2	BPZ-MT-MSW-600/400-2-A	120769	1	
	600 / 425 / 2	BPZ-MT-MSW-600/425-2-A	120770	1	
	800 / 400 / 3	BPZ-MT-MSW-800/400-3-A	120771	1	
	800 / 425 / 3	BPZ-MT-MSW-800/425-3-A	120772	1	
	1000 / 400 / 4	BPZ-MT-MSW-1000/400-4-A	120773	1	
	1000 / 425 / 4	BPZ-MT-MSW-1000/425-4-A	120774	1	
	1200 / 400 / 5	BPZ-MT-MSW-1200/400-5-A	120775	1	
	1200 / 425 / 5	BPZ-MT-MSW-1200/425-5-A	120776	1	

# Distribution Boards

	Width / Height (mm) / Meter Plates	Type Designation	Article No.	Units per package
<b>Counter Wire Protection, BPZ-ZDS</b>				
• plastic cover (PVC)				
	125 / 425 (400) / 1	BPZ-ZDS-1	144879	1
	335 / 425 (400) / 2	BPZ-ZDS-2	144880	1
	545 / 425 (400) / 3	BPZ-ZDS-3	144881	1
	670 / 425 (400) / 4	BPZ-ZDS-2 (2x)	144880 (2x)	1
	880 / 425 (400) / 5	BPZ-ZDS-2 + BPZ-ZDS-3	144880 +144881	1 1
<hr/>				
	Width / Height (mm) / Meter Plates	Type Designation	Article No.	Units per package
<b>DIN Rail Set, BPZ-DRS-MT-MSW</b>				
	1000 / 400 / 2	BPZ-DRS-MT-MSW-1000/400-2-A	120777	1
	1000 / 425 / 2	BPZ-DRS-MT-MSW-1000/425-2-A	120778	1
	1200 / 400 / 2	BPZ-DRS-MT-MSW-1200/400-2-A	120779	1
	1200 / 425 / 2	BPZ-DRS-MT-MSW-1200/425-2-A	120780	1
	1200 / 400 / 3	BPZ-DRS-MT-MSW-1200/400-3-A	120781	1
	1200 / 425 / 3	BPZ-DRS-MT-MSW-1200/425-3-A	120782	1
<hr/>				
	Width (mm)	Type Designation	Article No.	Units per package
<b>Cable Strain Relief C-Profile, BPZ-KAS</b>				
	400	BPZ-KAS-400	106440	1
	600	BPZ-KAS-600	106441	1
	800	BPZ-KAS-800	106442	1
	1000	BPZ-KAS-1000	106443	1
	1200	BPZ-KAS-1200	106444	1
<hr/>				
	Cable Ø (mm)	Type Designation	Article No.	Units per package
<b>Cable Clamps NWS-K/AC</b>				
• relief of mechanical strain of installed devices (cable strain relief)				
• mounting onto BPZ-KAS				
	12-16	NWS-K/AC16	255197	1
	16-20	NWS-K/AC20	255198	1
	20-24	NWS-K/AC24	255199	1
	24-28	NWS-K/AC28	255200	1
	36-40	NWS-K/AC40	255201	1
	48-52	NWS-K/AC52	255202	1
<hr/>				
	Width (mm)	Type Designation	Article No.	Units per package
<b>Terminal Support Bar, BPZ-TSB</b>				
	400	BPZ-TSB-400	106447	1
	600	BPZ-TSB-600	106448	1
	800	BPZ-TSB-800	106449	1
	1000	BPZ-TSB-1000	106450	1
	1200	BPZ-TSB-1200	106451	1

wa\_vt27413



wa\_vt08913



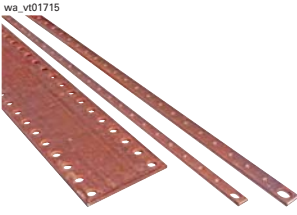




wa\_nt09013








wa\_vt09313



# Distribution Boards

<b>General Accessories</b>				
 <p>wa_vt01715</p>	Height x Thickness x Length (mm)	Type Designation	Article No.	Units per package
	<b>Busbar with Thread, BPZ-BB/T</b>			
	15 x 5 x 1000, M6, 218 A	BPZ-BB/T-15/5/1000	289861	4
	20 x 5 x 1000, M6, 274 A	BPZ-BB/T-20/5/1000	289862	4
	32 x 5 x 1000, M6, 400 A	BPZ-BB/T-32/5/1000	289863	4
	15 x 5 x 2000, M6, 218 A	BPZ-BB/T-15/5/2000	289864	4
	20 x 5 x 2000, M6, 274 A	BPZ-BB/T-20/5/2000	289865	4
	30 x 5 x 2000, M6, 379 A	BPZ-BB/T-30/5/2000	179498	4
30 x 10 x 1000, M8, 573 A	BPZ-BB/T-30/10/1000	289867	4	
 <p>VT30614, VT30514</p>	Rated Current / Rail Dimensions (mm)	Type Designation	Article No.	Units per package
	<b>4-Pole Busbar Support, BPZ-BBS-4</b>			
	160-250 A / 15x5 and 20x5	BPZ-BBS-4/250	289868	10
160-630 A / 15x5 up to 30x10	BPZ-BBS-4/630	289869	2	
 <p>vt05115</p>	Length x Width x Height (mm)	Type Designation	Article No.	Units per package
	<b>Protective Cover for BPZ-BBS-4/250</b>			
<ul style="list-style-type: none"> <li>Material: PVC</li> </ul>				
800 x 160 x 25	BPZ-PC/BBS250/800-160-25	177326	1	
 <p>VT36414</p>	Width (mm)	Type Designation	Article No.	Units per package
	<b>Mounting elements for 4-pole Busbar Support 250 A</b>			
<ul style="list-style-type: none"> <li>Pair</li> <li>horizontal mounting in the 200 mm compartment, vertical busbar</li> </ul>				
200	BPZ-BR/BBS250/V-200	173652	1	
 <p>vt05915</p>	Width (mm)	Type Designation	Article No.	Units per package
	<b>Mounting elements for 4-pole Busbar Support 250/630 A</b>			
<ul style="list-style-type: none"> <li>Pair</li> <li>horizontal mounting in the 400 mm compartment, vertical busbar</li> <li>also for use as cable strain relief rail</li> </ul>				
400	BPZ-BR/BBS630/V-400	177325	1	

# Distribution Boards

	Width (mm)	Type Designation	Article No.	Units per package	
 <p>wa_vt04913</p>	<b>Mounting elements for 4-pole Busbar Support 630 A, BPZ-BR/BBS630/V</b> <ul style="list-style-type: none"> <li>• Pair</li> <li>• horizontal mounting in the 400 mm compartment, vertical busbar</li> </ul>				
	400	BPZ-BR/BBS630/V	104331	1	
 <p>VT36314</p>	<b>Mounting elements for DIN-Rail or DIN-Rail Set, BPZ-BR/DINR/V-200</b> <ul style="list-style-type: none"> <li>• Pair</li> <li>• horizontal mounting in the 200 mm compartment, vertical DIN-Rail</li> <li>• direct mounting of the DIN-Rail or by towers</li> </ul>				
	200	BPZ-BR/DINR/V-200	173651	1	
 <p>wa_vt51613</p>  <p>wa_vt51713</p>  <p>wa_vt04014</p>	<b>DIN-Rail Set, BPZ-DINR</b> <ul style="list-style-type: none"> <li>• sets inclusive of towers and fixing elements (BEL01)</li> </ul>				
	<b>Towers - adjustable</b>				
	400 / 13	BPZ-DINR13-400-T	286751	10	
	600 / 24	BPZ-DINR24-600-T	286753	10	
	800 / 35	BPZ-DINR35-800-T	286755	10	
	1000 / 46	BPZ-DINR46-1000-T	293590	10	
	1200 / 57	BPZ-DINR57-1200-T	293592	10	
	<b>Towers - fixed</b>				
	400 / 13	BPZ-DINR13-400-B	286752	10	
	600 / 24	BPZ-DINR24-600-B	286754	10	
	800 / 35	BPZ-DINR35-800-B	286756	10	
	1000 / 46	BPZ-DINR46-1000-B	293591	10	
1200 / 57	BPZ-DINR57-1200-B	293593	10		
<b>Towers - fixed</b>					
<ul style="list-style-type: none"> <li>• protruding DIN-Rail cutted on both sides</li> <li>• for better mounting of vertical cable ducts</li> </ul>					
600 / 24	BPZ-DINR24S-600-B	174384	10		
800 / 35	BPZ-DINR35S-800-B	174385	10		



# Distribution Boards

 <p>wa_vt08314, wa_vt61413</p>	<table border="1"> <thead> <tr> <th>Description</th> <th>Type Designation</th> <th>Article No.</th> <th>Units per package</th> </tr> </thead> <tbody> <tr> <td colspan="4"><b>Towers, BPZ-T</b></td> </tr> <tr> <td>fixed</td> <td>BPZ-TF/2</td> <td>116651</td> <td>1 pair</td> </tr> <tr> <td>adjustable</td> <td>BPZ-TA/2</td> <td>116650</td> <td>1 pair</td> </tr> </tbody> </table>	Description	Type Designation	Article No.	Units per package	<b>Towers, BPZ-T</b>				fixed	BPZ-TF/2	116651	1 pair	adjustable	BPZ-TA/2	116650	1 pair																																				
Description	Type Designation	Article No.	Units per package																																																		
<b>Towers, BPZ-T</b>																																																					
fixed	BPZ-TF/2	116651	1 pair																																																		
adjustable	BPZ-TA/2	116650	1 pair																																																		
 <p>wa_nt19713</p>  <p>wa_nt19713</p>  <p>wa_nt19713</p>	<table border="1"> <thead> <tr> <th>Description</th> <th>Type Designation</th> <th>Article No.</th> <th>Units per package</th> </tr> </thead> <tbody> <tr> <td colspan="4"><b>Fastening Elements, BEL</b></td> </tr> <tr> <td colspan="4"> <ul style="list-style-type: none"> <li>BEL12 insulated, pre-mounted (grout screws)</li> <li>BEL01 for conductive connection, pre-mounted (grout screws)</li> </ul> </td> </tr> <tr> <td colspan="4"><b>Pairs</b></td> </tr> <tr> <td>white</td> <td>BEL12</td> <td>275199</td> <td>1 pair</td> </tr> <tr> <td>green</td> <td>BEL01</td> <td>275200</td> <td>1 pair</td> </tr> <tr> <td colspan="4"><b>200 pcs. loose parts in the box</b></td> </tr> <tr> <td>white</td> <td>BEL12-E</td> <td>237837 *)</td> <td>200 pcs.</td> </tr> <tr> <td>green</td> <td>BEL01-E</td> <td>237836 *)</td> <td>200 pcs.</td> </tr> <tr> <td colspan="4">*) Article No. and price per piece</td> </tr> <tr> <td colspan="4"> <ul style="list-style-type: none"> <li>BEL12A insulated, delivery in single parts</li> </ul> </td> </tr> <tr> <td colspan="4"><b>Pairs</b></td> </tr> <tr> <td>white</td> <td>BEL12A</td> <td>275201</td> <td>1 pair</td> </tr> </tbody> </table>	Description	Type Designation	Article No.	Units per package	<b>Fastening Elements, BEL</b>				<ul style="list-style-type: none"> <li>BEL12 insulated, pre-mounted (grout screws)</li> <li>BEL01 for conductive connection, pre-mounted (grout screws)</li> </ul>				<b>Pairs</b>				white	BEL12	275199	1 pair	green	BEL01	275200	1 pair	<b>200 pcs. loose parts in the box</b>				white	BEL12-E	237837 *)	200 pcs.	green	BEL01-E	237836 *)	200 pcs.	*) Article No. and price per piece				<ul style="list-style-type: none"> <li>BEL12A insulated, delivery in single parts</li> </ul>				<b>Pairs</b>				white	BEL12A	275201	1 pair
Description	Type Designation	Article No.	Units per package																																																		
<b>Fastening Elements, BEL</b>																																																					
<ul style="list-style-type: none"> <li>BEL12 insulated, pre-mounted (grout screws)</li> <li>BEL01 for conductive connection, pre-mounted (grout screws)</li> </ul>																																																					
<b>Pairs</b>																																																					
white	BEL12	275199	1 pair																																																		
green	BEL01	275200	1 pair																																																		
<b>200 pcs. loose parts in the box</b>																																																					
white	BEL12-E	237837 *)	200 pcs.																																																		
green	BEL01-E	237836 *)	200 pcs.																																																		
*) Article No. and price per piece																																																					
<ul style="list-style-type: none"> <li>BEL12A insulated, delivery in single parts</li> </ul>																																																					
<b>Pairs</b>																																																					
white	BEL12A	275201	1 pair																																																		
 <p>wa_vt39713, wa_vt42813</p>	<table border="1"> <thead> <tr> <th>Description</th> <th>Type Designation</th> <th>Article No.</th> <th>Units per package</th> </tr> </thead> <tbody> <tr> <td colspan="4"><b>Support Plate, STL / Adapter, SAA</b></td> </tr> <tr> <td colspan="4"> <ul style="list-style-type: none"> <li>for mounting LTS-00 type HRC load breakers in series onto mounting support rails of different heights</li> <li>for mounting of PE/PEN busbars and nonstandard components onto fastening elements BEL</li> </ul> </td> </tr> <tr> <td colspan="4"><b>Grey</b></td> </tr> <tr> <td>Support plate (set of 2 pieces)</td> <td>STL-1</td> <td>275427</td> <td>1</td> </tr> <tr> <td>Support plate (set of 2 pieces)</td> <td>STL-2</td> <td>275428</td> <td>1</td> </tr> <tr> <td>Adapter (set of 4 pieces)</td> <td>SAA</td> <td>275429</td> <td>1</td> </tr> </tbody> </table>	Description	Type Designation	Article No.	Units per package	<b>Support Plate, STL / Adapter, SAA</b>				<ul style="list-style-type: none"> <li>for mounting LTS-00 type HRC load breakers in series onto mounting support rails of different heights</li> <li>for mounting of PE/PEN busbars and nonstandard components onto fastening elements BEL</li> </ul>				<b>Grey</b>				Support plate (set of 2 pieces)	STL-1	275427	1	Support plate (set of 2 pieces)	STL-2	275428	1	Adapter (set of 4 pieces)	SAA	275429	1																								
Description	Type Designation	Article No.	Units per package																																																		
<b>Support Plate, STL / Adapter, SAA</b>																																																					
<ul style="list-style-type: none"> <li>for mounting LTS-00 type HRC load breakers in series onto mounting support rails of different heights</li> <li>for mounting of PE/PEN busbars and nonstandard components onto fastening elements BEL</li> </ul>																																																					
<b>Grey</b>																																																					
Support plate (set of 2 pieces)	STL-1	275427	1																																																		
Support plate (set of 2 pieces)	STL-2	275428	1																																																		
Adapter (set of 4 pieces)	SAA	275429	1																																																		
 <p>wa_vt51813</p>	<table border="1"> <thead> <tr> <th>Width (mm) / MU</th> <th>Type Designation</th> <th>Article No.</th> <th>Units per package</th> </tr> </thead> <tbody> <tr> <td colspan="4"><b>DIN-Rail, BPZ-DINR</b></td> </tr> <tr> <td>400 / 13</td> <td>BPZ-DINR13-400</td> <td>293594</td> <td>10</td> </tr> <tr> <td>600 / 24</td> <td>BPZ-DINR24-600</td> <td>293595</td> <td>10</td> </tr> <tr> <td>800 / 35</td> <td>BPZ-DINR35-800</td> <td>293596</td> <td>10</td> </tr> <tr> <td>1000 / 46</td> <td>BPZ-DINR46-1000</td> <td>293597</td> <td>10</td> </tr> <tr> <td>1200 / 57</td> <td>BPZ-DINR57-1200</td> <td>293598</td> <td>10</td> </tr> </tbody> </table>	Width (mm) / MU	Type Designation	Article No.	Units per package	<b>DIN-Rail, BPZ-DINR</b>				400 / 13	BPZ-DINR13-400	293594	10	600 / 24	BPZ-DINR24-600	293595	10	800 / 35	BPZ-DINR35-800	293596	10	1000 / 46	BPZ-DINR46-1000	293597	10	1200 / 57	BPZ-DINR57-1200	293598	10																								
Width (mm) / MU	Type Designation	Article No.	Units per package																																																		
<b>DIN-Rail, BPZ-DINR</b>																																																					
400 / 13	BPZ-DINR13-400	293594	10																																																		
600 / 24	BPZ-DINR24-600	293595	10																																																		
800 / 35	BPZ-DINR35-800	293596	10																																																		
1000 / 46	BPZ-DINR46-1000	293597	10																																																		
1200 / 57	BPZ-DINR57-1200	293598	10																																																		















# Distribution Boards

	Width (mm) / MU / for width of cable duct (mm)	Type Designation	Article No.	Units per package
 <p>VT106214</p>	<b>DIN-Rail, BPZ-TSK</b>			
	<ul style="list-style-type: none"> <li>• DIN-Rail cutted on one side</li> <li>• enable fixing of vertical cable ducts on one side</li> </ul>			
	600 / 23 / 40	BPZ-TSK-600/40	151166	10
	600 / 22 / 60	BPZ-TSK-600/60	151167	10
	600 / 21 / 80	BPZ-TSK-600/80	151168	10
	800 / 34 / 40	BPZ-TSK-800/40	151169	10
	800 / 33 / 60	BPZ-TSK-800/60	151170	10
	800 / 32 / 80	BPZ-TSK-800/80	151171	10
	1000 / 45 / 40	BPZ-TSK-1000/40	151172	10
	1000 / 44 / 60	BPZ-TSK-1000/60	151173	10
	1000 / 43 / 80	BPZ-TSK-1000/80	151174	10
	1200 / 56 / 40	BPZ-TSK-1200/40	151175	10
1200 / 55 / 60	BPZ-TSK-1200/60	151176	10	
1200 / 54 / 80	BPZ-TSK-1200/80	151177	10	
	Type Designation	Article No.	Units per package	
 <p>wa_vt39513</p>	<b>Cable Duct Angles, KKW</b>			
	<ul style="list-style-type: none"> <li>• for MSW mounting</li> <li>• enable fixing of vertical cable ducts</li> <li>• KKW-40 for 60 mm cable ducts</li> <li>• KKW-DIN for 80 mm cable ducts</li> <li>• device rails has to be shortened</li> </ul>			
		KKW-40	275242	1
	KKW-DIN	275243	1	
	Height (mm)	Type Designation	Article No.	Units per package
 <p>wa_vt07013</p>	<b>Fixing Material for Cable Duct, BPZ-CDB</b>			
	<ul style="list-style-type: none"> <li>• mounting on main frame</li> <li>• enable fixing of vertical and horizontal cable ducts</li> <li>• for boards of width 400,600</li> </ul>			
	8	BPZ-CDB	102471	1
	23	BPZ-CDB23	105216	1
58	BPZ-CDB58	109169	1	
	Height (mm)	Type Designation	Article No.	Units per package
 <p>VT11108</p> <p>VT106614</p> <p>VT106514</p> <p>BPZ-CDB08/CP</p> <p>BPZ-CDB49/CP</p>	<b>Fixing Material for Cable Duct C-profile, BPZ-CDB../CP</b>			
	<ul style="list-style-type: none"> <li>• mounting on main frame</li> <li>• enable fixing of vertical and horizontal cable ducts</li> <li>• for boards of width 600, 800, 1000, 1200</li> <li>• in combination with C-Profil Rail BPZ-CP...</li> </ul>			
	8	BPZ-CDB8/CP	116915	1
	23	BPZ-CDB23/CP	116916	1
	58	BPZ-CDB58/CP	116917	1
	<ul style="list-style-type: none"> <li>• for better mounting of vertical cable ducts</li> <li>• in combination with DIN-Rail Set BPZ-DINR..S-...-B (DIN-Rail shortened)</li> </ul>			
	8	BPZ-CDB08/CP	174386	1
	49	BPZ-CDB49/CP	174387	1





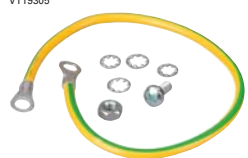
# Distribution Boards

 <p>VT11008</p>	Width (mm)	Type Designation	Article No.	Units per package		
	<b>C-Profil Rail for Cable Duct Angles, BPZ-CP</b>					
	400	BPZ-CP-400	116918	10		
	600	BPZ-CP-600	116919	10		
	800	BPZ-CP-800	116920	10		
	1000	BPZ-CP-1000	116921	10		
1200	BPZ-CP-1200	116922	10			
 <p>wa_vt11014</p>	Width (mm)	Type Designation	Article No.	Units per package		
	<b>Aluminum Rail for vertical interior fittings, BPZ-MAH</b>					
	• enable fixing of busbar support and other devices					
	400	BPZ-MAH-400	154953	10		
	600	BPZ-MAH-600	154954	10		
	800	BPZ-MAH-800	154955	10		
1000	BPZ-MAH-1000	154956	10			
1200	BPZ-MAH-1200	154957	10			
 <p>wa_vt16514</p>	Outputs	Type Designation	Article No.	Units per package		
	<b>4-Phase Busbar, BPZ-KB-24/250</b>					
	12 outputs per phase, neutral wiring 24 outputs		BPZ-KB-24/250	289971	1	
 <p>VT07805</p>	<b>Mounting elements for 4-Phase Busbar, BPZ-BR/KB24</b>					
	• pair					
	• for distributor width 600, 800					
		BPZ-BR/KB24	102477	1		
 <p>VT18705</p>	Colour	Length	Type Designation	Article No.	Units per package	
	<b>Flexible Connector for 4-Phase Busbar, BPZ-P</b>					
	• 6 mm <sup>2</sup>					
	black	120 mm	BPZ-P/L-6/120	102692	10	
	blue	120 mm	BPZ-P/N-6/120	102693	10	
	black	320 mm	BPZ-P/L-6/320	102696	10	
	blue	320 mm	BPZ-P/N-6/320	102697	10	
	• 10 mm <sup>2</sup>					
	black	120 mm	BPZ-P/L-10/120	102694	10	
	blue	120 mm	BPZ-P/N-10/120	102695	10	
	black	320 mm	BPZ-P/L-10/320	102698	10	
	blue	320 mm	BPZ-P/N-10/320	102699	10	
	 <p>wa_vt15114, wa_vt15014, wa_vt15214</p>	Cross section (mm <sup>2</sup> )	Type Designation	Article No.	Units per package	
<b>Connector with Insulated Crimp, BPZ-P/C</b>						
1.5 - 2.5		BPZ-P/C-1.5/2.5	178396	1		
4 - 6		BPZ-P/C-4/6	102700	1		
6 - 10	BPZ-P/C-6/10	178397	1			

# Distribution Boards

	Rated current	Output Terminals	Type Designation	Article-No.	Units per package	
<b>1-Pole Terminal Blocks, BPZ-KB</b>						
• Mounting onto DIN-rail and mounting plate						
 BPZ-KB-4/80  BPZ-KB-2/11/160  BPZ-KB-6/400	80 A	6	BPZ-KB-4/80	289969	1	
	125 A	6	BPZ-KB-6/125	102714	1	
	125 A	8	BPZ-KB-2/8/125	178398	1	
	160 A	6	BPZ-KB-6/160	289970	1	
	160 A	11	BPZ-KB-2/11/160	178399	1	
	175 A	10	BPZ-KB-10/175	102715	1	
	250 A	11	BPZ-KB-11/250	289967	1	
	400 A	2	BPZ-KB-2/400	178401	1	
	400 A	6	BPZ-KB-6/400	178400	1	
400 A	11	BPZ-KB-11/400	102713	1		
• Mounting onto DIN-Rail and mounting plate, type aluminium						
 BPZ-KB-6/80-ALU  BPZ-KB-10/175-ALU  BPZ-KB-2/400-ALU	80 A	6	BPZ-KB-6/80-ALU	102702	1	
	125 A	6	BPZ-KB-6/125-ALU	102703	1	
	160 A	6	BPZ-KB-6/160-ALU	102704	1	
	175 A	1	BPZ-KB-1/175-ALU	102709	1	
	175 A	10	BPZ-KB-10/175-ALU	102707	1	
	250 A	11	BPZ-KB-11/250-ALU	102705	1	
	400 A	1	BPZ-KB-1/400-ALU	102710	1	
	400 A	2	BPZ-KB-2/400-ALU	178403	1	
	400 A	6	BPZ-KB-6/400-ALU	178402	1	
	400 A	11	BPZ-KB-11/400-ALU	102706	1	
 BPZ-KB-11/400-ALU  BPZ-KB-1/2/800-ALU  BPZ-KB-2/1100-ALU	800 A	2	BPZ-KB-1/2/800-ALU	102712	1	
	800 A	2	BPZ-KB-2/2/800-ALU	102711	1	
	1100 A	2	BPZ-KB-2/1100-ALU	178404	1	
<b>Connection Latch for 1-Pole Terminal Block, BPZ-CL</b>						
 wa_vt14714	7x65x25	289967	BPZ-CL-65/25	102720	10	
	9x70x30	102713	BPZ-CL-70/30	102721	10	
<b>Connection Bar 27 mm for 1-Pole Terminal Block, BPZ-CB</b>						
 wa_vt08313	16x44x14	102714	BPZ-CB-44/14	102722	10	
<b>3-Pole Terminal Block, BPZ-KB/6/175</b>						
• Mounting onto DIN-rail and mounting plate						
 wa_vt13514	175 A	1	6	BPZ-KB-6/175	102717	1
	• Mounting onto DIN-rail and mounting plate, aluminium					
	175 A	1	6	BPZ-KB-6/175-ALU	102708	1
<b>4-Pole Terminal Blocks, BPZ-KB</b>						
 BPZ-KB-8/125  BPZ-KB-11/160	125A,			BPZ-KB-8/125	289968	1
	in: 1x(L1/L2/L3/N), out: 7x(L1/L2/L3), 10xN					
	125 A			BPZ-KB-9/125	102718	1
	125 A			BPZ-KB-13/125	102719	1
	160A,			BPZ-KB-11/160	102716	1
in: 1x(L1/L2/L3/N), out: 11x(L1/L2/L3/N)						


# Distribution Boards

 <p>VT28610</p>	<table border="1"> <thead> <tr> <th>Description</th> <th>Type Designation</th> <th>Article No.</th> <th>Units per package</th> </tr> </thead> <tbody> <tr> <td> <b>Wall Angle Bracket Set, for Floor-Standing boards</b> <ul style="list-style-type: none"> <li>for IP30 and IP54 Floor-Standing boards</li> <li>one set includes 2 angles plus mounting accessories</li> </ul> </td> <td>BPZ-WW</td> <td>142474</td> <td>1</td> </tr> </tbody> </table>	Description	Type Designation	Article No.	Units per package	<b>Wall Angle Bracket Set, for Floor-Standing boards</b> <ul style="list-style-type: none"> <li>for IP30 and IP54 Floor-Standing boards</li> <li>one set includes 2 angles plus mounting accessories</li> </ul>	BPZ-WW	142474	1												
Description	Type Designation	Article No.	Units per package																		
<b>Wall Angle Bracket Set, for Floor-Standing boards</b> <ul style="list-style-type: none"> <li>for IP30 and IP54 Floor-Standing boards</li> <li>one set includes 2 angles plus mounting accessories</li> </ul>	BPZ-WW	142474	1																		
 <p>VT03010</p>	<table border="1"> <thead> <tr> <th>Description</th> <th>Type Designation</th> <th>Article No.</th> <th>Units per package</th> </tr> </thead> <tbody> <tr> <td> <b>Wall Angle Bracket Set, for Moisture Proof-Surface Mounting Installation Board</b> <ul style="list-style-type: none"> <li>for IP54 Surface mounting boards</li> <li>for fixing the enclosures on the wall</li> <li>vertical or horizontal mounting</li> <li>galvanized shett steel 3 mm</li> <li>one set includes 4 wall-mounting angles plus mounting accessories</li> </ul> </td> <td>WFB-SET-CS</td> <td>112639</td> <td>1</td> </tr> </tbody> </table>	Description	Type Designation	Article No.	Units per package	<b>Wall Angle Bracket Set, for Moisture Proof-Surface Mounting Installation Board</b> <ul style="list-style-type: none"> <li>for IP54 Surface mounting boards</li> <li>for fixing the enclosures on the wall</li> <li>vertical or horizontal mounting</li> <li>galvanized shett steel 3 mm</li> <li>one set includes 4 wall-mounting angles plus mounting accessories</li> </ul>	WFB-SET-CS	112639	1												
Description	Type Designation	Article No.	Units per package																		
<b>Wall Angle Bracket Set, for Moisture Proof-Surface Mounting Installation Board</b> <ul style="list-style-type: none"> <li>for IP54 Surface mounting boards</li> <li>for fixing the enclosures on the wall</li> <li>vertical or horizontal mounting</li> <li>galvanized shett steel 3 mm</li> <li>one set includes 4 wall-mounting angles plus mounting accessories</li> </ul>	WFB-SET-CS	112639	1																		
 <p>VT1698</p>	<table border="1"> <thead> <tr> <th>Type Designation</th> <th>Article No.</th> <th>Units per package</th> </tr> </thead> <tbody> <tr> <td><b>Lifting-Eye Bolt, BPZ-LE</b></td> <td>BPZ-LE</td> <td>286770</td> <td>1</td> </tr> </tbody> </table>	Type Designation	Article No.	Units per package	<b>Lifting-Eye Bolt, BPZ-LE</b>	BPZ-LE	286770	1													
Type Designation	Article No.	Units per package																			
<b>Lifting-Eye Bolt, BPZ-LE</b>	BPZ-LE	286770	1																		
 <p>VT09405      VT12208</p>	<table border="1"> <thead> <tr> <th>Colour</th> <th>Type Designation</th> <th>Article No.</th> <th>Units per package</th> </tr> </thead> <tbody> <tr> <td colspan="4"><b>Flask with Brush Applicator, BPZ-CPS, PAINT-RAL; Spray BPZ-SPRAY-7035</b></td> </tr> <tr> <td>RAL 7035, 30ml</td> <td>BPZ-CPS-7035</td> <td>286771</td> <td>1</td> </tr> <tr> <td>RAL 9016, 30ml</td> <td>PAINT-RAL9016</td> <td>288948</td> <td>1</td> </tr> <tr> <td>Spray RAL 7035, 400ml</td> <td>BPZ-SPRAY-7035</td> <td>116678</td> <td>1</td> </tr> </tbody> </table>	Colour	Type Designation	Article No.	Units per package	<b>Flask with Brush Applicator, BPZ-CPS, PAINT-RAL; Spray BPZ-SPRAY-7035</b>				RAL 7035, 30ml	BPZ-CPS-7035	286771	1	RAL 9016, 30ml	PAINT-RAL9016	288948	1	Spray RAL 7035, 400ml	BPZ-SPRAY-7035	116678	1
Colour	Type Designation	Article No.	Units per package																		
<b>Flask with Brush Applicator, BPZ-CPS, PAINT-RAL; Spray BPZ-SPRAY-7035</b>																					
RAL 7035, 30ml	BPZ-CPS-7035	286771	1																		
RAL 9016, 30ml	PAINT-RAL9016	288948	1																		
Spray RAL 7035, 400ml	BPZ-SPRAY-7035	116678	1																		
 <p>VT19305</p>	<table border="1"> <thead> <tr> <th>Cross-section (mm<sup>2</sup>) / Length (mm)</th> <th>Type Designation</th> <th>Article No.</th> <th>Units per package</th> </tr> </thead> <tbody> <tr> <td colspan="4"><b>Door Grounding Set, BFZ-DES</b></td> </tr> <tr> <td>6 / 300</td> <td>BFZ-DES</td> <td>101665</td> <td>1</td> </tr> </tbody> </table>	Cross-section (mm <sup>2</sup> ) / Length (mm)	Type Designation	Article No.	Units per package	<b>Door Grounding Set, BFZ-DES</b>				6 / 300	BFZ-DES	101665	1								
Cross-section (mm <sup>2</sup> ) / Length (mm)	Type Designation	Article No.	Units per package																		
<b>Door Grounding Set, BFZ-DES</b>																					
6 / 300	BFZ-DES	101665	1																		

# Distribution Boards

	Description	Type Designation	Article No.	Units per package
 <small>wa_vt38713</small>	<b>Fixing Material, EGM, KM-6</b>			
	Fixing cage (set of 100 pieces)	EGM-F	275417	1
	Slide nut M4 (set of 100 pieces)	EGM-4	275418	1
	Slide nut M5 (set of 100 pieces)	EGM-5	275419	1
 <small>wa_vt10103.eps</small>	<b>Screws, BPZ-S-...</b>			
	<ul style="list-style-type: none"> <li>• M5x12 (standard screw of the board)</li> <li>• M4x8 (flange plate)</li> </ul>			
	M5 / 12	BPZ-S-M5x12	120719	20
	M4 / 8	BPZ-S-M4x8	120720	20
 <small>VT01705, VT01805</small> KT-3      KT-5	<b>Terminal Supports, KT</b>			
	horizontal	KT-3	275445	1
	vertical	KT-5	275447	1
 <small>VT28015</small>   <small>VT24715</small>	<b>Terminal Strips, KL</b>			
	4	KL-4	219723	1
	7	KL-7	219724	1
	11	KL-11	219725	1
	15	KL-15	219726	1
	25	KL-25	219727	1
	29	KL-29	275449	1
	45	KL-45	275450	1
	60	KL-60	275451	1
	76	KL-76	102066	1
	1 meter	KLM	275452	1
	Connection terminal for 35 mm <sup>2</sup> KLA		275453	1

# Distribution Boards

	Description	Type Designation	Article No.	Units per package	
 <p>wa_v136813</p>	<b>Locks, 61005</b>				
 <p>VT12108</p>	<ul style="list-style-type: none"> <li>Type SS-KS-61005: lock and key set 61005</li> <li>Number of locks required per door in the technic part!</li> </ul>				
	Lock and key set 61005 Metal key 61005 Plastic key 61005	SS-KS-61005 MS-61005 KS-61005	275422 275423 275424	1 1 1	
	Clip-down handle Softline short Clip-down handle Softline long (overview scheme at the technical specifications)	BPZ-SH BPZ-SH-L	116690 131560	1 1	
	<b>Replacement Hinge, BPZ-MH</b>				
	<ul style="list-style-type: none"> <li>replacement for all IP43-Enclosures (type BPA-...) and IP54-Enclosures (type BPM-...)</li> <li>1 hinge bracket incl. hinge pin</li> </ul>	BPZ-MH	166660	1	
	<b>Locks, BPZ-LOCK</b>				
 <p>VT12010</p>	<ul style="list-style-type: none"> <li>Replacement part for all enclosures with rotary door lock or dual-bit lock</li> <li>Number of locks required per door in the technic part!</li> </ul>				
 <p>VT11808</p>	<b>For IP30/IP54, Surface-Mounting and Floor-Standing Distribution Boards</b>	Dual-bit 3 mm inclusive 1 key	BPZ-LOCK/DBIT3	178405	1
 <p>VT11908</p>	Simultaneous lock cylinder inclusive 2 keys	BPZ-LOCK	102467	1	
	<b>For IP30, Surface-Mounting and Floor-Standing Distribution Boards</b>	Lock SH6 Key SH6	BPZ-LOCK/SH6METAL BPZ-KEY/SH6	116913 116674	1 1
	Lock DH Key DH	BPZ-LOCK/DHMETAL BPZ-KEY/DH	116914 116676	1 1	

# Distribution Boards

## Profile Half-Cylinder for diverse Handles

- For rotary and clip-down ease-of-use handles
- Lock-cylinder finish according to DIN 18252 and DIN EN 1303
- Profile half-cylinder 10/30 with pin closures made of nickel silver
- 8-fold adjustable lock bit, 5 pairs of pins
- Identical or different locking
- Number of locks required per door in the technic part!

VT33610



Description	Type Designation	Article No.	Units per Package
1 Key included, keyed alike	PHZ-E10/30-GS	138574	1
3 Keys included, keyed different	PHZ-E10/30-VS	138575	1

## Spare Key for Profile Half-Cylinder

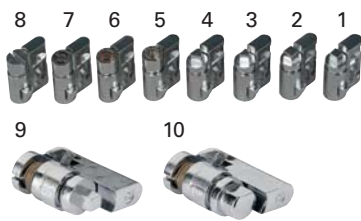
- For profile half-cylinder PHZ-E...-GS

VT12510



Description	Type Designation	Article No.	Units per Package
Identical locking	KEY-E10/30-GS	138576	4

wa\_nt08913 , VT11608, VT11708



No. of Photo / Version	Type Designation	Article No.	Units per package	
<b>Lock inserts for mounting in Clip-down handles</b>				
1	7mm square lock insert	NWS-SHE/4K/7	255306	1
2	8mm square lock insert	NWS-SHE/4K/8	255307	1
3	7mm triangular lock insert	NWS-SHE/3K/7	255304	1
4	8mm triangular lock insert	NWS-SHE/3K/8	255305	1
5	Two-way key bit, 3mm pin	NWS-SHE/DLB/DN3	255309	1
6	Two-way key bit, 5mm pin	NWS-SHE/DLB/DN5	255310	1
7	Daimler-Benz insert	NWS-SHE/DB	255308	1
8	Screw driver-type insert	NWS-SHE/SZ	255311	1
9	Lock SH6	BPZ-LOCK/SH6	116673	1
10	Lock DH	BPZ-LOCK/DH	116675	1
-	Z-Lock incl. 2 keys	BPZ-LOCK/Z	120766	1

N8299



No. of Photo / Version	Type Designation	Article No.	Units per package	
<b>Keys for Lock Inserts</b>				
1	7mm square lock insert	NWS-SL/4K/7	255314	1
2	8mm square lock insert	NWS-SL/4K/8	255315	1
3	7mm triangular lock insert	NWS-SL/3K/7	255312	1
4	8mm triangular lock insert	NWS-SL/3K/8	255313	1
5	Two-way key bit, 3mm pin	NWS-SL/DLB/3	255317	1
6	Two-way key bit, 5mm pin	NWS-SL/DLB/5	255318	1
7	Daimler-Benz	NWS-SL/DB	255316	1
-	Key SH6	BPZ-KEY/SH6	116674	1
-	Key DH	BPZ-KEY/DH	116676	1



# Distribution Boards

<b>Inscription Strip LAB-BAR</b>				
Module units (MU)	Type Designation	Article No.	Units per package	
<b>Holder for Inscription Strip, LAB-BAR</b>				
13	LAB-BAR_13TE	107884	10	
24	LAB-BAR_24TE	107901	10	
35	LAB-BAR_35TE	107903	10	
46	LAB-BAR_46TE	107906	10	
57	LAB-BAR_57TE	107909	10	
<b>Holder for Inscription Strip universal, LAB-BAR</b>				
Length	Type Designation	Article No.	Units per package	
1 m	LAB-BAR_1000	107911	10	
3 m	LAB-BAR_3000	107912	10	
<b>Accessories Inscription Strip LAB</b>				
	Type Designation	Article No.	Units per package	
<b>Enclosure leaves for the inscription strips, LAB-TAPE_A4</b>				
empty	LAB-TAPE_A4_BLANK	107952	10	
imprint	LAB-TAPE_A4_PRINT	107953	10	
<b>Circuit Diagram Bag, LAB-BAG_A4</b>				
Size A4	LAB-BAG_A4	107913	1	
<b>XAB4 Circuit Diagram Box</b>				
Description	Type Designation	Article No.	Units per package	
A4 panel format, self-adhesive	XAB4	283482	1	

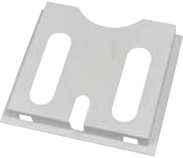
wa\_vt14413



wa\_vt14513



wa\_vt08413



# Distribution Boards

	Supplied in lengths of mm	Cable carrying capacity. Max. no. of cables (approximate)	Type and cross-section H 0... V-K    H 0... V-K mm <sup>2</sup> AWG		Designation	Article No.	Units per package
<b>Cable ducts</b>							
<b>Screw fixing</b>							
<p>00006555_0, VT08709, VT08609</p>	1500	60	0.75	–	KL25/35	012531	60
		40	1.5	14			
		25	2.5	10			
		15	4	–			
<p>00006558_0, VT08709, VT08509</p>	1500	100	0.75	–	KL25/60	017277	40
		70	1.5	14			
		45	2.5	10			
		30	4	–			
		25	6	–			
<p>00006558_0, VT08409, VT08309</p>	1500	260	0.75	–	KL60/60	029142	20
		180	1.5	14			
		120	2.5	10			
		80	4	–			
		65	6	–			
<b>Self-adhesive</b>							
• Max. ambient temperature +55°C							
<p>00006555_0, VT08709, VT08609</p>	650	60	0.75	–	KL25/35K	014904	50
		40	1.5	2			
		25	2.5	10			
<b>Cable duct cover</b>							
• Supplied as spares							
<p>00008397_0, VT08709</p>	1500	–	–	–	KD25	019649	1
<p>00025953_0, VT08409</p>	1500	–	–	–	KD60	024395	1

# Add-On Distribution Boards

## xEnergy Light Add-On Distribution Boards

- Floor-standing enclosure (with removable bottom, top, side and rear panels)
- IP40 or IP55
- Protection class I
- Easy-to-take-apart
- Add-on design
- Accessories are delivered with screws and connecting material
- Compatible with the Profi+ installation system
- Compatible with the IVS installation system
- Compatible with xEnergy
- Compatible with EP installation system
- 2500 A rated current
- Delivery pre-assembled or in single parts (flatpack)

VT13610



Power  
Distribution  
Boards

VT29210



VT29310



Sub Distribution Boards  
Profi+

wa\_vt28213



Sub Distribution Boards  
IVS

wa\_vt28413



Sub Distribution Boards  
EP

wa\_vt27913



Control Enclosures

wa\_vt28613



# Add-On Distribution Boards

## xEnergy Light Add-On Distribution Boards – Universal Mounting System

Side / rear panels  
 XVTL-(S)/R (IP40),  
 XVTL-MP(S)/R (IP55)



XVTL-BRA brackets for fixing vertical profiles and mounting plates



Detail



XVTL-BRA

XVTL-VP

BPZ-MPL mounting plates  
 100, 200, 300, 400, 500 mm high



XVTL-IZM  
 transverse support for IZM



XVTL-MP.-MIB horizontal profile



XVTL-HP, XVTL-HP/L  
 horizontal profiles

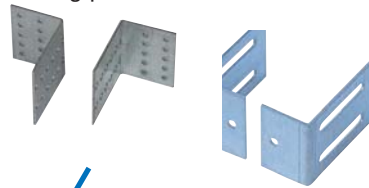


XSFH  
 vertical profiles



XVTL-BRA/IC250  
 bracket for fixing the BPZ-MPLSASY  
 mounting plate

XVTL-BRA/M, XVTL-BRA/L brackets used for  
 fixing vertical profiles and for fixing the  
 mounting plate in the middle



Detail



XVTL-VP vertical  
 profiles  
 475, 975 and  
 1850 mm high



XVTL-SO..., XAP plinth  
 100 and 200 mm high



Front panels  
 XVTL-SO100/F.  
 XVTL-SO200/F.

Side panels  
 XVTL-SO100/S., XVTL-SO200/S..  
 Side panels (with cut-out)  
 XVTL-SO100/EF/S, XVTL-SO200/EF/S

# Add-On Distribution Boards

## xEnergy Light Add-On Distribution Boards – Universal Mounting System

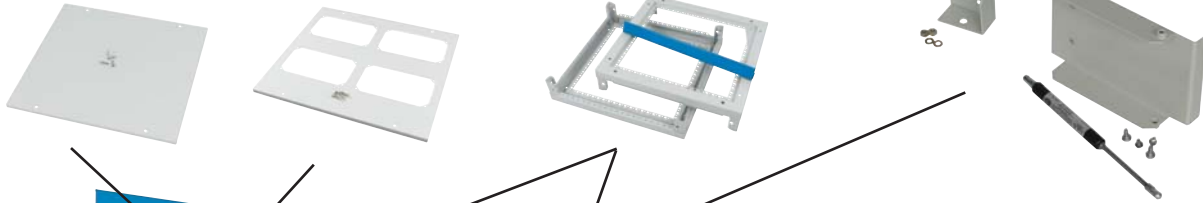
### Top covers

XVTL-MP/T.. (IP55)  
Top cover

XVTL-MP/T/EF (IP55)  
Top cover with cut-outs  
prepared for F3A cable  
insertion flanges

XSFB  
Frames

XVTL-DA  
Door arrester set



**Lock**  
3-point door lock thanks to a clip-down handle with rod lock.  
XVTL-MP/BX.. handle: XALP  
XVTL-MP/BF.. handle: BPZ-SH-L  
To equip the XALP with a semi-cylinder lock, the adapter kit XALA is needed.

**Hinge**  
Opening angle larger than 105°  
Quick mounting and removing of doors



**Cable strain relief rails**  
XAR... C-Profile  
XVTL-AB... L-Profile



### Bottom cover panels

XSPBAC  
Without shift-back flange,  
35 or 110 mm deep

XSPBA  
With shift-back flange,  
60 - 75 mm deep, for thin cables

XVTL-BP/JL...  
With shift-back flange,  
90 - 105 mm deep, for thick cables



# Add-On Distribution Boards

## Delivery pre-assembled or in single parts (flatpack)

Ordering example

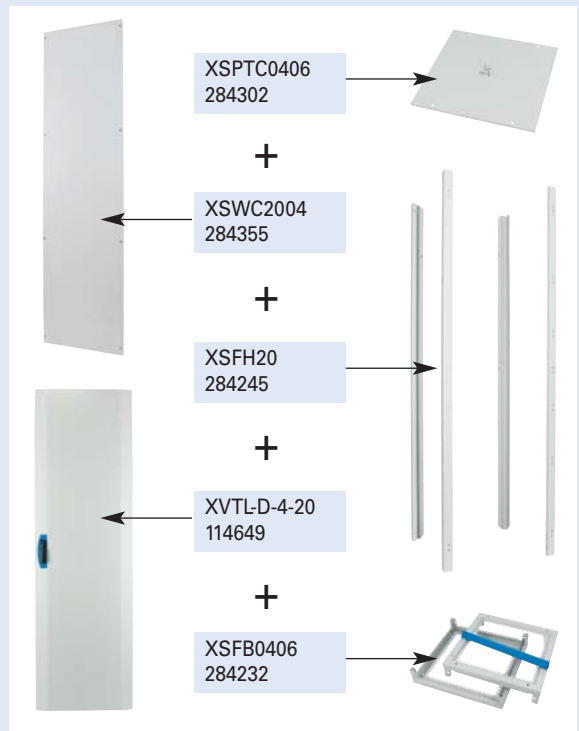
### Pre-assembled enclosure

XVTL-MP/BF-4/6/20  
114528



≡  
equals

### Flatpack



# Add-On Distribution Boards

wa\_v128513



## xEnergy Light Add-On Distribution Board, IP40<sup>1)</sup> Degree of Protection

- PRE-ASSEMBLED
- Width 1000 and 1200 use double-wing door

Width (mm) / Depth (mm)	Type Designation	Article No.	Units per package
-------------------------	------------------	-------------	-------------------

XVTL-BF Basic Fragmentary Equipment (IP40)<sup>1)</sup> consisting of Frame, Rear Panel, Door (xEnergy Light Design-door) and Top Cover

### Height 1400 mm

600/300	XVTL-BF-6/3/14	114385	1
---------	----------------	--------	---

### Height 1600 mm

425/300	XVTL-BF-4/3/16	114386	1
600/300	XVTL-BF-6/3/16	114387	1
600/400	XVTL-BF-6/4/16	114388	1
600/600	XVTL-BF-6/6/16	114389	1
800/300	XVTL-BF-8/3/16	114390	1
800/400	XVTL-BF-8/4/16	114391	1
800/600	XVTL-BF-8/6/16	114392	1
1000/300	XVTL-BF-10/3/16	114393	1
1000/400	XVTL-BF-10/4/16	114394	1
1000/600	XVTL-BF-10/6/16	114395	1
1200/300	XVTL-BF-12/3/16	114396	1
1200/400	XVTL-BF-12/4/16	114397	1
1200/600	XVTL-BF-12/6/16	114398	1

### Height 1800 mm

600/300	XVTL-BF-6/3/18	114399	1
600/400	XVTL-BF-6/4/18	114400	1
600/500	XVTL-BF-6/5/18	114401	1
600/600	XVTL-BF-6/6/18	114402	1
800/300	XVTL-BF-8/3/18	114403	1
800/400	XVTL-BF-8/4/18	114404	1
800/500	XVTL-BF-8/5/18	114405	1
800/600	XVTL-BF-8/6/18	114406	1
1000/300	XVTL-BF-10/3/18	114407	1
1000/400	XVTL-BF-10/4/18	114408	1
1000/500	XVTL-BF-10/5/18	114409	1
1000/600	XVTL-BF-10/6/18	114410	1
1200/300	XVTL-BF-12/3/18	114411	1
1200/400	XVTL-BF-12/4/18	114412	1
1200/500	XVTL-BF-12/5/18	114413	1
1200/600	XVTL-BF-12/6/18	114414	1

### Height 2000 mm

425/300	XVTL-BF-4/3/20	114415	1
425/400	XVTL-BF-4/4/20	114416	1
425/500	XVTL-BF-4/5/20	114417	1
425/600	XVTL-BF-4/6/20	114418	1
425/800	XVTL-BF-4/8/20	114419	1
600/300	XVTL-BF-6/3/20	114420	1
600/400	XVTL-BF-6/4/20	114421	1
600/500	XVTL-BF-6/5/20	114422	1
600/600	XVTL-BF-6/6/20	114423	1
600/800	XVTL-BF-6/8/20	114424	1
800/300	XVTL-BF-8/3/20	114425	1
800/400	XVTL-BF-8/4/20	114426	1
800/500	XVTL-BF-8/5/20	114427	1
800/600	XVTL-BF-8/6/20	114428	1
800/800	XVTL-BF-8/8/20	114429	1
1000/300	XVTL-BF-10/3/20	114430	1
1000/400	XVTL-BF-10/4/20	114431	1
1000/500	XVTL-BF-10/5/20	114432	1
1000/600	XVTL-BF-10/6/20	114433	1
1000/800	XVTL-BF-10/8/20	114434	1
1200/300	XVTL-BF-12/3/20	114435	1
1200/400	XVTL-BF-12/4/20	114436	1
1200/500	XVTL-BF-12/5/20	114437	1
1200/600	XVTL-BF-12/6/20	114438	1
1200/800	XVTL-BF-12/8/20	114439	1

**Note:** <sup>1)</sup> sealing set XAC and section connection clip XACC as well as section connection bracket XACB are to be ordered for add-on connection always separately.

# Add-On Distribution Boards

wa\_vt25213



## XVTL-S Side Panel (IP40) 1 Pair – incl. Screws

- Scope of delivery: 1 pair

For Depth (mm)	For Height (mm)	Type Designation	Article No.	Units per package
300	1400	XVTL-S-3/14-PAIR	116166	1
300	1600	XVTL-S-3/16-PAIR	116167	1
300	1800	XVTL-S-3/18-PAIR	116168	1
300	2000	XVTL-S-3/20-PAIR	116169	1
400	1600	XVTL-S-4/16-PAIR	116171	1
400	1800	XVTL-S-4/18-PAIR	116172	1
400	2000	XVTL-S-4/20-PAIR	116173	1
500	1800	XVTL-S-5/18-PAIR	116176	1
500	2000	XVTL-S-5/20-PAIR	116177	1
600	1600	XVTL-S-6/16-PAIR	116179	1
600	1800	XVTL-S-6/18-PAIR	116180	1
600	2000	XVTL-S-6/20-PAIR	116181	1
800	2000	XVTL-S-8/20-PAIR	116185	1

## XVTL-R Rear Panel (IP40) – incl. Screws

wa\_vt25213

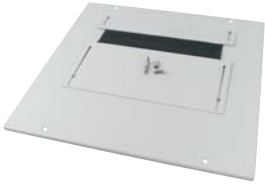


For Width (mm)	For Height (mm)	Type Designation	Article No.	Units per package
425	1600	XVTL-R-4/16	116186	1
425	2000	XVTL-R-4/20	116187	1
600	1400	XVTL-R-6/14	116188	1
600	1600	XVTL-R-6/16	116189	1
600	1800	XVTL-R-6/18	116190	1
600	2000	XVTL-R-6/20	116191	1
800	1600	XVTL-R-8/16	116192	1
800	1800	XVTL-R-8/18	116193	1
800	2000	XVTL-R-8/20	116194	1
1000	1600	XVTL-R-10/16	116195	1
1000	1800	XVTL-R-10/18	116196	1
1000	2000	XVTL-R-10/20	116197	1
1200	1600	XVTL-R-12/16	116198	1
1200	1800	XVTL-R-12/18	116199	1
1200	2000	XVTL-R-12/20	116200	1



# Add-On Distribution Boards

wa\_vt25313



XSPBM Top- or Bottom Cover (IP30) split – incl. Screws				
Width (mm) / Depth (mm)	Type Designation	Article No.	Units per package	
425/300	XSPBM0403	132953	1	
425/400	XSPBM0404	284286	1	
425/500	XSPBM0405	132954	1	
425/600	XSPBM0406	284287	1	
425/800	XSPBM0408	284288	1	
600/300	XSPBM0603	132955	1	
600/400	XSPBM0604	284289	1	
600/500	XSPBM0605	132956	1	
600/600	XSPBM0606	284290	1	
600/800	XSPBM0608	284291	1	
800/300	XSPBM0803	132957	1	
800/400	XSPBM0804	284292	1	
800/500	XSPBM0805	132958	1	
800/600	XSPBM0806	284293	1	
800/800	XSPBM0808	284294	1	
850/300	XSPBM08503	143364	1	
850/400	XSPBM08504	143365	1	
850/500	XSPBM08505	143366	1	
850/600	XSPBM08506	143367	1	
850/800	XSPBM08508	143368	1	
1000/300	XSPBM1003	132959	1	
1000/400	XSPBM1004	284295	1	
1000/500	XSPBM1005	132960	1	
1000/600	XSPBM1006	284296	1	
1000/800	XSPBM1008	104530	1	
1100/300	XSPBM1103	143369	1	
1100/400	XSPBM1104	143370	1	
1100/500	XSPBM1105	143371	1	
1100/600	XSPBM1106	143372	1	
1100/800	XSPBM1108	133008	1	
1200/300	XSPBM1203	132961	1	
1200/400	XSPBM1204	132962	1	
1200/500	XSPBM1205	132963	1	
1350/300	XSPBM13503	143373	1	
1350/400	XSPBM13504	143374	1	
1350/500	XSPBM13505	143375	1	
1350/600	XSPBM13506	143376	1	
1350/800	XSPBM13508	133009	1	

# Add-On Distribution Boards

wa\_vt08713



XADTop Cover (IP31) protective shield – incl. Screws				
Width (mm) / Depth (mm)	Type Designation	Article No.	Units per package	
425/400	XAD0404	283484	1	
425/500	XAD0405	143286	1	
425/600	XAD0406	283485	1	
425/800	XAD0408	283486	1	
600/400	XAD0604	283487	1	
600/500	XAD0605	143287	1	
600/600	XAD0606	283488	1	
600/800	XAD0608	283489	1	
800/400	XAD0804	283810	1	
800/500	XAD0805	143288	1	
800/600	XAD0806	283811	1	
800/800	XAD0808	283812	1	
850/400	XAD08504	143289	1	
850/500	XAD08505	143290	1	
850/600	XAD08506	143291	1	
850/800	XAD08508	143292	1	
1000/400	XAD1004	283813	1	
1000/500	XAD1005	143293	1	
1000/600	XAD1006	283814	1	
1000/800	XAD1008	283815	1	
1100/400	XAD1104	143294	1	
1100/500	XAD1105	143295	1	
1100/600	XAD1106	143296	1	
1100/800	XAD1108	133010	1	
1200/400	XAD1204	143297	1	
1200/500	XAD1205	143298	1	
1200/600	XAD1206	283816	1	
1200/800	XAD1208	283817	1	
1350/400	XAD13504	143299	1	
1350/500	XAD13505	143300	1	
1350/600	XAD13506	143301	1	
1350/800	XAD13508	133011	1	

# Add-On Distribution Boards

wa\_v128513



## xEnergy Light Add-On Distribution Board, IP55<sup>1)</sup> Degree of Protection

- PRE-ASSEMBLED
- Width 1000 and 1200 use double-wing door

Width (mm) / Depth (mm)	Type Designation	Article No.	Units per package
XVTL-MP/BF Basic Fragmentary Equipment (IP55) <sup>1)</sup> consisting of Frame, Rear Panel, Door (xEnergy Light Design-door) and Top Cover			
<b>Height 1400 mm</b>			
600/300	XVTL-MP/BF-6/3/14	114495	1
<b>Height 1600 mm</b>			
425/300	XVTL-MP/BF-4/3/16	114496	1
600/300	XVTL-MP/BF-6/3/16	114497	1
600/400	XVTL-MP/BF-6/4/16	114498	1
600/600	XVTL-MP/BF-6/6/16	114499	1
800/300	XVTL-MP/BF-8/3/16	114500	1
800/400	XVTL-MP/BF-8/4/16	114501	1
800/600	XVTL-MP/BF-8/6/16	114502	1
1000/300	XVTL-MP/BF-10/3/16	114503	1
1000/400	XVTL-MP/BF-10/4/16	114504	1
1000/600	XVTL-MP/BF-10/6/16	114505	1
1200/300	XVTL-MP/BF-12/3/16	114506	1
1200/400	XVTL-MP/BF-12/4/16	114507	1
1200/600	XVTL-MP/BF-12/6/16	114508	1
<b>Height 1800 mm</b>			
600/300	XVTL-MP/BF-6/3/18	114509	1
600/400	XVTL-MP/BF-6/4/18	114510	1
600/500	XVTL-MP/BF-6/5/18	114511	1
600/600	XVTL-MP/BF-6/6/18	114512	1
800/300	XVTL-MP/BF-8/3/18	114513	1
800/400	XVTL-MP/BF-8/4/18	114514	1
800/500	XVTL-MP/BF-8/5/18	114515	1
800/600	XVTL-MP/BF-8/6/18	114516	1
1000/300	XVTL-MP/BF-10/3/18	114517	1
1000/400	XVTL-MP/BF-10/4/18	114518	1
1000/500	XVTL-MP/BF-10/5/18	114519	1
1000/600	XVTL-MP/BF-10/6/18	114520	1
1200/300	XVTL-MP/BF-12/3/18	114521	1
1200/400	XVTL-MP/BF-12/4/18	114522	1
1200/500	XVTL-MP/BF-12/5/18	114523	1
1200/600	XVTL-MP/BF-12/6/18	114524	1
<b>Height 2000 mm</b>			
425/300	XVTL-MP/BF-4/3/20	114525	1
425/400	XVTL-MP/BF-4/4/20	114526	1
425/500	XVTL-MP/BF-4/5/20	114527	1
425/600	XVTL-MP/BF-4/6/20	114528	1
425/800	XVTL-MP/BF-4/8/20	114529	1
600/300	XVTL-MP/BF-6/3/20	114530	1
600/400	XVTL-MP/BF-6/4/20	114531	1
600/500	XVTL-MP/BF-6/5/20	114532	1
600/600	XVTL-MP/BF-6/6/20	114533	1
600/800	XVTL-MP/BF-6/8/20	114534	1
800/300	XVTL-MP/BF-8/3/20	114535	1
800/400	XVTL-MP/BF-8/4/20	114536	1
800/500	XVTL-MP/BF-8/5/20	114537	1
800/600	XVTL-MP/BF-8/6/20	114538	1
800/800	XVTL-MP/BF-8/8/20	114539	1
1000/300	XVTL-MP/BF-10/3/20	114540	1
1000/400	XVTL-MP/BF-10/4/20	114541	1
1000/500	XVTL-MP/BF-10/5/20	114542	1
1000/600	XVTL-MP/BF-10/6/20	114543	1
1000/800	XVTL-MP/BF-10/8/20	114544	1
1200/300	XVTL-MP/BF-12/3/20	114545	1
1200/400	XVTL-MP/BF-12/4/20	114546	1
1200/500	XVTL-MP/BF-12/5/20	114547	1
1200/600	XVTL-MP/BF-12/6/20	114548	1
1200/800	XVTL-MP/BF-12/8/20	114549	1

**Note:** <sup>1)</sup> sealing set XAC55 and section connection clip XACC as well as section connection bracket XACB are to be ordered for add-on connection always separately.

# Add-On Distribution Boards

## xEnergy Light Add-On Control Enclosures, IP55<sup>1)</sup> Degree of Protection

- PRE-ASSEMBLED
- Width 1000 and 1200 use double-wing door
- Delivered with flat door

wa\_v128613



Width (mm) / Depth (mm)	Type Designation	Article No.	Units per package
<b>XVTL-MP/BX/IC Basic Fragmentary Equipment consisting of Frame, Rear Panel, Door and Top Cover, Mounting Plates 3 mm + set of angles</b>			
<b>Height 1400 mm</b>			
600/300	XVTL-MP/BX/IC-6/3/14	114550	1
<b>Height 1600 mm</b>			
425/300	XVTL-MP/BX/IC-4/3/16	114551	1
600/300	XVTL-MP/BX/IC-6/3/16	114552	1
600/400	XVTL-MP/BX/IC-6/4/16	114553	1
600/600	XVTL-MP/BX/IC-6/6/16	114554	1
800/300	XVTL-MP/BX/IC-8/3/16	114555	1
800/400	XVTL-MP/BX/IC-8/4/16	114556	1
800/600	XVTL-MP/BX/IC-8/6/16	114557	1
1000/300	XVTL-MP/BX/IC-10/3/16	114558	1
1000/400	XVTL-MP/BX/IC-10/4/16	114559	1
1000/600	XVTL-MP/BX/IC-10/6/16	114560	1
1200/300	XVTL-MP/BX/IC-12/3/16	114561	1
1200/400	XVTL-MP/BX/IC-12/4/16	114562	1
1200/600	XVTL-MP/BX/IC-12/6/16	114563	1
<b>Height 1800 mm</b>			
600/300	XVTL-MP/BX/IC-6/3/18	114564	1
600/400	XVTL-MP/BX/IC-6/4/18	114565	1
600/500	XVTL-MP/BX/IC-6/5/18	114566	1
600/600	XVTL-MP/BX/IC-6/6/18	114567	1
800/300	XVTL-MP/BX/IC-8/3/18	114568	1
800/400	XVTL-MP/BX/IC-8/4/18	114569	1
800/500	XVTL-MP/BX/IC-8/5/18	114570	1
800/600	XVTL-MP/BX/IC-8/6/18	114571	1
1000/300	XVTL-MP/BX/IC-10/3/18	114572	1
1000/400	XVTL-MP/BX/IC-10/4/18	114573	1
1000/500	XVTL-MP/BX/IC-10/5/18	114574	1
1000/600	XVTL-MP/BX/IC-10/6/18	114575	1
1200/300	XVTL-MP/BX/IC-12/3/18	114576	1
1200/400	XVTL-MP/BX/IC-12/4/18	114577	1
1200/500	XVTL-MP/BX/IC-12/5/18	114578	1
1200/600	XVTL-MP/BX/IC-12/6/18	114579	1
<b>Height 2000 mm</b>			
425/300	XVTL-MP/BX/IC-4/3/20	114580	1
425/400	XVTL-MP/BX/IC-4/4/20	114581	1
425/500	XVTL-MP/BX/IC-4/5/20	114582	1
425/600	XVTL-MP/BX/IC-4/6/20	114583	1
425/800	XVTL-MP/BX/IC-4/8/20	114584	1
600/300	XVTL-MP/BX/IC-6/3/20	114585	1
600/400	XVTL-MP/BX/IC-6/4/20	114586	1
600/500	XVTL-MP/BX/IC-6/5/20	114587	1
600/600	XVTL-MP/BX/IC-6/6/20	114588	1
600/800	XVTL-MP/BX/IC-6/8/20	114589	1
800/300	XVTL-MP/BX/IC-8/3/20	114590	1
800/400	XVTL-MP/BX/IC-8/4/20	114591	1
800/500	XVTL-MP/BX/IC-8/5/20	114592	1
800/600	XVTL-MP/BX/IC-8/6/20	114593	1
800/800	XVTL-MP/BX/IC-8/8/20	114594	1
1000/300	XVTL-MP/BX/IC-10/3/20	114595	1
1000/400	XVTL-MP/BX/IC-10/4/20	114596	1
1000/500	XVTL-MP/BX/IC-10/5/20	114597	1
1000/600	XVTL-MP/BX/IC-10/6/20	114598	1
1000/800	XVTL-MP/BX/IC-10/8/20	114599	1
1200/300	XVTL-MP/BX/IC-12/3/20	114600	1
1200/400	XVTL-MP/BX/IC-12/4/20	114601	1
1200/500	XVTL-MP/BX/IC-12/5/20	114602	1
1200/600	XVTL-MP/BX/IC-12/6/20	114603	1
1200/800	XVTL-MP/BX/IC-12/8/20	114604	1

**Note:** <sup>1)</sup> sealing set XAC55 and section connection clip XACC as well as section connection bracket XACB are to be ordered for add-on connection always separately.

# Add-On Distribution Boards

wa\_v28313



XSFB Frames, top and bottom part including design strip				
Width (mm) / Depth (mm)	Type Designation	Article No.	Units per package	
425/300	XSFB0403	132926	1	
425/400	XSFB0404	284231	1	
425/500	XSFB0405	132927	1	
425/600	XSFB0406	284232	1	
425/800	XSFB0408	284233	1	
600/300	XSFB0603	132928	1	
600/400	XSFB0604	284234	1	
600/500	XSFB0605	132929	1	
600/600	XSFB0606	284235	1	
600/800	XSFB0608	284236	1	
650/300	XSFB06503	174269	1	
650/400	XSFB06504	174270	1	
650/600	XSFB06506	174271	1	
800/300	XSFB0803	132930	1	
800/400	XSFB0804	284237	1	
800/500	XSFB0805	132931	1	
800/600	XSFB0806	284238	1	
800/800	XSFB0808	284239	1	
850/300	XSFB08503	143342	1	
850/400	XSFB08504	143343	1	
850/500	XSFB08505	143344	1	
850/600	XSFB08506	143345	1	
850/800	XSFB08508	143346	1	
1000/300	XSFB1003	132932	1	
1000/400	XSFB1004	284240	1	
1000/500	XSFB1005	132933	1	
1000/600	XSFB1006	284241	1	
1000/800	XSFB1008	284242	1	
1100/300	XSFB1103	143347	1	
1100/400	XSFB1104	143348	1	
1100/500	XSFB1105	143349	1	
1100/600	XSFB1106	143350	1	
1100/800	XSFB1108	132991	1	
1200/300	XSFB1203	132934	1	
1200/400	XSFB1204	132935	1	
1200/500	XSFB1205	132936	1	
1200/600	XSFB1206	284243	1	
1200/800	XSFB1208	284244	1	
1350/300	XSFB13503	143351	1	
1350/400	XSFB13504	143352	1	
1350/500	XSFB13505	143353	1	
1350/600	XSFB13506	143354	1	
1350/800	XSFB13508	132992	1	

## XSFH Vertical Profiles

- Scope of delivery: 2 pieces in front and 2 pieces in rear, incl. Screws

VT10109



Height (mm)	Type Designation	Article No.	Units per package	
1400	XSFH14	132937	1	
1600	XSFH16	132938	1	
1800	XSFH18	132939	1	
2000	XSFH20	284245	1	

# Add-On Distribution Boards

VT13110



## XVTL-D Door (IP40/IP55) – incl. Hinges and Clip-Down Handle Lock

- Width 425, 600, 800 use a single-wing door
- Width 1000, 1200 use a double-wing door

Width (mm)	Type Designation	Article No.	Units per package
<b>Height 1400 mm</b>			
600	XVTL-D-6-14	114635	1
<b>Height 1600 mm</b>			
425	XVTL-D-4-16	114636	1
600	XVTL-D-6-16	114637	1
800	XVTL-D-8-16	114638	1
1000 right	XVTL-D-10-16-R	114639	1
1000 left	XVTL-D-10-16-L	114640	1
1100 right	XVTL-D-11-16-R	153548	1
1100 left	XVTL-D-11-16-L	163548	1
1200 right	XVTL-D-12-16-R	114641	1
1200 left	XVTL-D-12-16-L	114642	1
1350 right	XVTL-D-135-16-R	153551	1
1350 left	XVTL-D-135-16-L	135550	1
<b>Height 1800 mm</b>			
600	XVTL-D-6-18	114643	1
800	XVTL-D-8-18	114644	1
1000 right	XVTL-D-10-18-R	114645	1
1000 left	XVTL-D-10-18-L	114646	1
1200 right	XVTL-D-12-18-R	114647	1
1200 left	XVTL-D-12-18-L	114648	1
<b>Height 2000 mm</b>			
425	XVTL-D-4-20	114649	1
600	XVTL-D-6-20	114650	1
800	XVTL-D-8-20	114651	1
850 (single-wing door)	XVTL-D-85-20	143238	1
1000 right	XVTL-D-10-20-R	114652	1
1000 left	XVTL-D-10-20-L	114653	1
1100 right	XVTL-D-11-20-R	143235	1
1100 left	XVTL-D-11-20-L	143234	1
1200 right	XVTL-D-12-20-R	114654	1
1200 left	XVTL-D-12-20-L	114655	1
1350 right	XVTL-D-135-20-R	143237	1
1350 left	XVTL-D-135-20-L	143236	1

# Add-On Distribution Boards

VT13210



## XVTL-D Glass Door (IP40/IP55) – incl. Hinges and Clip-Down Handle Lock

- 4 mm safety glass
- Width 425, 600, 800 use a single-wing door
- Width 1000, 1200 use a double-wing door

Width (mm)	Type Designation	Article No.	Units per package
<b>Height 1400 mm</b>			
600	XVTL-DG-6-14	114656	1
<b>Height 1600 mm</b>			
425	XVTL-DG-4-16	114657	1
600	XVTL-DG-6-16	114658	1
800	XVTL-DG-8-16	114659	1
1000 right	XVTL-DG-10-16-R	114660	1
1000 left	XVTL-DG-10-16-L	114661	1
1200 right	XVTL-DG-12-16-R	114662	1
1200 left	XVTL-DG-12-16-L	114663	1
<b>Height 1800 mm</b>			
600	XVTL-DG-6-18	114664	1
800	XVTL-DG-8-18	114665	1
1000 right	XVTL-DG-10-18-R	114666	1
1000 left	XVTL-DG-10-18-L	114667	1
1200 right	XVTL-DG-12-18-R	114668	1
1200 left	XVTL-DG-12-18-L	114669	1
<b>Height 2000 mm</b>			
425	XVTL-DG-4-20	114670	1
600	XVTL-DG-6-20	114671	1
800	XVTL-DG-8-20	114672	1
850 (single-wing door)	XVTL-DG-85-20	143243	1
1000 right	XVTL-DG-10-20-R	114673	1
1000 left	XVTL-DG-10-20-L	114674	1
1100 right	XVTL-DG-11-20-R	143240	1
1100 left	XVTL-DG-11-20-L	143239	1
1200 right	XVTL-DG-12-20-R	114675	1
1200 left	XVTL-DG-12-20-L	114676	1
1350 right	XVTL-DG-11-20-R	143241	1
1350 left	XVTL-DG-11-20-L	143242	1

## XSDMD Door (IP55) use for control enclosures (xEnergy door) – incl. hinges, two-way key bit and guide rods

wa\_vt65113



For Width (mm)	Type Designation	Article No.	Units per package
<b>Height 1400 mm</b>			
650	XSDMD14065	174297	1
850	XSDMD14085	174301	1
<b>Height 1600 mm</b>			
650	XSDMD16065	174298	1
850	XSDMD16085	174302	1
<b>Height 1800 mm</b>			
650	XSDMD18065	174299	1
850	XSDMD18085	174303	1
<b>Height 2000 mm</b>			
425	XSDMD2004	284203	1
600	XSDMD2006	284204	1
650	XSDMD20065	174300	1
800	XSDMD2008	284701	1
850	XSDMD20085	143333	1
1000	XSDMD2010-S	143334	1
1100	XSDMD2011-S	143335	1
1200	XSDMD2012-S	143336	1
1350	XSDMD20135-S	143337	1

# Add-On Distribution Boards

wa\_v125713



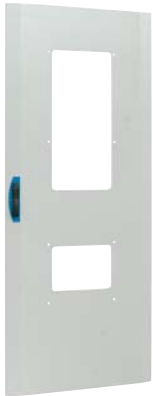
XSDMC Door (IP55) use for control enclosures (xEnergy door) – incl. hinges, two-way key bit and guide rods

For Width (mm)	Type Designation	Article No.	Units per package
<b>Height 1400 mm</b>			
425	XSDMC1404	174295	1
600	XSDMC1406	132940	1
650	XSDMC14065	174304	1
850	XSDMC14085	174308	1
<b>Height 1600 mm</b>			
425	XSDMC1604	132941	1
600	XSDMC1606	132942	1
650	XSDMC16065	174305	1
800	XSDMC1608	132943	1
850	XSDMC16085	174309	1
1000 (single-wing door)	XSDMC1610	132944	1
1000 (double-wing door)	XSDMC1610-S	132945	1
1100 (double-wing door)	XSDMC1611-S	153552	1
1200 (double-wing door)	XSDMC1612-S	132946	1
1350 (double-wing door)	XSDMC16135-S	153553	1
<b>Height 1800 mm</b>			
425	XSDMC1804	174296	1
600	XSDMC1806	132947	1
650	XSDMC18065	174306	1
800	XSDMC1808	132948	1
850	XSDMC18085	174310	1
1000 (single-wing door)	XSDMC1810	132949	1
1000 (double-wing door)	XSDMC1810-S	132950	1
1200 (double-wing door)	XSDMC1812	132951	1
<b>Height 2000 mm</b>			
425	XSDMC2004	284198	1
600	XSDMC2006	284199	1
650	XSDMC20065	174307	1
800	XSDMC2008	284200	1
850 (single-wing door)	XSDMC20085	143330	1
1000 (single-wing door)	XSDMC2010	284201	1
1000 (double-wing door)	XSDMC2010-S	132952	1
1100 (double-wing door)	XSDMC2011-S	143331	1
1200 (double-wing door)	XSDMC2012-S	284202	1
1350 (double-wing door)	XSDMC20135-S	143332	1



# Add-On Distribution Boards

VT13410



VT12610



VT12710



## XVTL-D/AC Door (IP55) with cut outs prepared for air conditioner product Pfannenberg

Width (mm) / Hight (mm)	Type Designation	Article No.	Units per package
for air conditioner Pfannenberg: (build-up) DTS 6401 (2000 W) DTS 6501 (2500 W)			
800/2000	XVTL-D/AC-DTS-8-20	119946	1
for air conditioner Pfannenberg: (partly sunk-in) DTI 6301 (1500 W) DTI 6401 (2000 W) DTI 6501 (2500 W)			
800/2000	XVTL-D/AC-DTI-8-20	119947	1
for air conditioner Pfannenberg: DTFI 9021			
600/1400	XVTL-D/AC300-6-14	119971	1
600/1600	XVTL-D/AC300-6-16	119972	1
600/1800	XVTL-D/AC300-6-18	119973	1
600/2000	XVTL-D/AC300-6-20	119974	1
800/1600	XVTL-D/AC300-8-16	119975	1
800/1800	XVTL-D/AC300-8-18	119976	1
1000/1600	XVTL-D/AC300-10-16-L	119977	1
1000/1800	XVTL-D/AC300-10-18-L	119978	1
1000/2000	XVTL-D/AC300-10-20-L	119979	1
1200/1600	XVTL-D/AC300-12-16-L	119980	1
1200/1800	XVTL-D/AC300-12-18-L	119981	1
1200/2000	XVTL-D/AC300-12-20-L	119982	1

# Add-On Distribution Boards

wa\_vt25213



## XVTL-MP/S, XAW Side Panel (IP55) 1 Pair - incl. Screws

- Scope of delivery: 1 pair

For Depth (mm)	For Height (mm)	Type Designation	Article No.	Units per package
300	1400	XVTL-MP/S-3/14-PAIR	114717	1
300	1600	XVTL-MP/S-3/16-PAIR	114718	1
300	1800	XVTL-MP/S-3/18-PAIR	114719	1
300	2000	XVTL-MP/S-3/20-PAIR	114720	1
400	1600	XVTL-MP/S-4/16-PAIR	114722	1
400	1800	XVTL-MP/S-4/18-PAIR	114723	1
400	2000	XAW2004	283856	1
500	1800	XVTL-MP/S-5/18-PAIR	114726	1
500	2000	XVTL-MP/S-5/20-PAIR	114727	1
600	1600	XVTL-MP/S-6/16-PAIR	114729	1
600	1800	XVTL-MP/S-6/18-PAIR	114730	1
600	2000	XAW2006	283857	1
800	2000	XAW2008	283858	1

## XVTL-MP/S/AC Side Panel (IP55) with cut outs prepared for air conditioner product Pfannenberg - incl. Screws

VT00410



VT00310



For Width (mm) / For Height (mm)	Type Designation	Article No.	Units per package
for air conditioner Pfannenberg: (build-up) DTS 6301 (1500 W) DTS 6401 (2000 W) DTS 6501 (2500 W)			
600/2000	XVTL-MP/S/AC-DTS-6/20	119948	1
800/2000	XVTL-MP/S/AC-DTS-8/20	119949	1
for air conditioner Pfannenberg: DTFI 9021 (320 W)			
600/1600	XVTL-MP/S/AC300-6/16	119954	1
600/1800	XVTL-MP/S/AC300-6/18	119955	1
600/2000	XVTL-MP/S/AC300-6/20	119956	1
800/2000	XVTL-MP/S/AC300-8/20	119957	1

## XVTL-MP/S/V Side Panel with cut outs for fan product Eaton - incl. Screws

VT00510



For Width (mm) / For Height (mm)	Type Designation	Article No.	Units per package
for fan Eaton: E-FAN4 No. 167290 (IP54) EX-FILT4-5 No. 167295 (IP54) E-FAN4-55 No. 167298 (IP55) EX-FILT2-5-55 No. 167302 (IP55)			
600/1600	XVTL-MP/S/V-6/16	119983	1
600/1800	XVTL-MP/S/V-6/18	119984	1
600/2000	XVTL-MP/S/V-6/20	119985	1
800/2000	XVTL-MP/S/V-8/20	119986	1

# Add-On Distribution Boards

wa\_vt25213



## XVTL-MP/R, XSWC Rear Panel (IP55) – incl. Screws

For Width (mm)	For Height (mm)	Type Designation	Article No.	Units per package
425	1400	XVTL-MP/R-4/14	174293	1
425	1600	XVTL-MP/R-4/16	114751	1
425	1800	XVTL-MP/R-4/18	174294	1
425	2000	XSWC2004	284355	1
600	1400	XVTL-MP/R-6/14	114752	1
600	1600	XVTL-MP/R-6/16	114753	1
600	1800	XVTL-MP/R-6/18	114754	1
600	2000	XSWC2006	284356	1
650	1400	XVTL-MP/R-65/14	174286	1
650	1600	XVTL-MP/R-65/16	174287	1
650	1800	XVTL-MP/R-65/18	174288	1
650	2000	XVTL-MP/R-65/20	174289	1
800	1600	XVTL-MP/R-8/16	114755	1
800	1800	XVTL-MP/R-8/18	114756	1
800	2000	XSWC2008	284357	1
850	1400	XVTL-MP/R-85/14	174290	1
850	1600	XVTL-MP/R-85/16	174291	1
850	1800	XVTL-MP/R-85/18	174292	1
850	2000	XSWC20085	143416	1
1000	1600	XVTL-MP/R-10/16	114757	1
1000	1800	XVTL-MP/R-10/18	114758	1
1000	2000	XSWC2010	284358	1
1100	1600	XSWC1611	153546	1
1100	2000	XSWC2011	133000	1
1200	1600	XVTL-MP/R-12/16	114759	1
1200	1800	XVTL-MP/R-12/18	114760	1
1200	2000	XSWC2012	284359	1
1350	1600	XSWC16135	153553	1
1350	2000	XSWC20135	133001	1

## XVTL-MP/R/AC Rear Panel (IP55) with cut outs prepared for air conditioner product Pfannenberg – incl. Screws

For Width (mm) / For Height (mm)	Type Designation	Article No.	Units per package
for air conditioner Pfannenberg: (build-up) DTS 6301 (1500 W) DTS 6401 (2000 W) DTS 6501 (2500 W)			
600/2000	XVTL-MP/R/AC-DTS-6/20	119950	1
800/2000	XVTL-MP/R/AC-DTS-8/20	119951	1
1000/2000	XVTL-MP/R/AC-DTS-10/20	119952	1
1200/2000	XVTL-MP/R/AC-DTS-12/20	119953	1
for air conditioner Pfannenberg: DTFI 9021 (320 W)			
600/1400	XVTL-MP/R/AC300-6/14	119958	1
600/1600	XVTL-MP/R/AC300-6/16	119959	1
600/1800	XVTL-MP/R/AC300-6/18	119960	1
600/2000	XVTL-MP/R/AC300-6/20	119961	1
800/1600	XVTL-MP/R/AC300-8/16	119962	1
800/1800	XVTL-MP/R/AC300-8/18	119963	1
800/2000	XVTL-MP/R/AC300-8/20	119964	1
1000/1600	XVTL-MP/R/AC300-10/16	119965	1
1000/1800	XVTL-MP/R/AC300-10/18	119966	1
1000/2000	XVTL-MP/R/AC300-10/20	119967	1
1200/1600	XVTL-MP/R/AC300-12/16	119968	1
1200/1800	XVTL-MP/R/AC300-12/18	119969	1
1200/2000	XVTL-MP/R/AC300-12/20	119970	1

VT00410



VT00310



# Add-On Distribution Boards

VT00510



## XVTL-MP/R/V Rear Panel with cut outs for fan product Eaton - incl. Screws

For Width (mm) / For Height (mm)	Type Designation	Article No.	Units per package
for fan Eaton: E-FAN4 No. 167290 (IP54) EX-FILT4-5 No. 167295 (IP54) E-FAN4-55 No. 167298 (IP55) EX-FILT2-5-55 No. 167302 (IP55)			
600/1400	XVTL-MP/R/V-6/14	119987	1
600/1600	XVTL-MP/R/V-6/16	119988	1
600/1800	XVTL-MP/R/V-6/18	119989	1
600/2000	XVTL-MP/R/V-6/20	119990	1
800/1600	XVTL-MP/R/V-8/16	119991	1
800/1800	XVTL-MP/R/V-8/18	119992	1
800/2000	XVTL-MP/R/V-8/20	119993	1
1000/1600	XVTL-MP/R/V-10/16	119994	1
1000/1800	XVTL-MP/R/V-10/18	119995	1
1000/2000	XVTL-MP/R/V-10/20	119996	1
1200/1600	XVTL-MP/R/V-12/16	119997	1
1200/1800	XVTL-MP/R/V-12/18	119998	1
1200/2000	XVTL-MP/R/V-12/20	119999	1

## XVTL-PV Separation Panel (galvanised)

- Without press cut

VT07906



For Depth (mm)	For Height (mm)	Type Designation	Article No.	Units per package
300	1400	XVTL-MP/PV-3/14	114734	1
300	1600	XVTL-MP/PV-3/16	114735	1
300	1800	XVTL-MP/PV-3/18	114736	1
300	2000	XVTL-MP/PV-3/20	114737	1
400	1600	XVTL-MP/PV-4/16	114739	1
400	1800	XVTL-MP/PV-4/18	114740	1
400	2000	XVTL-MP/PV-4/20	116526	1
500	1800	XVTL-MP/PV-5/18	114743	1
500	2000	XVTL-MP/PV-5/20	114744	1
600	1600	XVTL-MP/PV-6/16	114746	1
600	1800	XVTL-MP/PV-6/18	114747	1
600	2000	XVTL-MP/PV-6/20	116527	1
800	2000	XVTL-MP/PV-8/20	116528	1

## XVTL-CF/S, XSC Corner Frame

- Generally delivered with top cover (IP55) and side panels
- Height 2000 mm

VT10309



For Depth (mm) Side A	For Depth (mm) Side B	Type Designation	Article No.	Units per package
400	400	XVTL-CF/S-4/4-20	114795	1
500	500	XVTL-CF/S-5/5-20	114796	1
600	600	XSC200606	286388	1
800	800	XSC200808	288867	1

# Add-On Distribution Boards

wa\_vt25513



XVTL-MP/T, XSPTC Bottom Top Cover (IP55) – incl. Screws				
Width (mm) / Depth (mm)	Type Designation	Article No.	Units per package	
425/300	XVTL-MP/T-4/3	114677	1	
425/400	XSPTC0404	284301	1	
425/500	XVTL-MP/T-4/5	114678	1	
425/600	XSPTC0406	284302	1	
425/800	XSPTC0408	284303	1	
600/300	XVTL-MP/T-6/3	114679	1	
600/400	XSPTC0604	284304	1	
600/500	XVTL-MP/T-6/5	114680	1	
600/600	XSPTC0606	284305	1	
600/800	XSPTC0608	284306	1	
650/300	XSPTC06503	174272	1	
650/400	XSPTC06504	174273	1	
650/600	XSPTC06506	174274	1	
800/300	XVTL-MP/T-8/3	114681	1	
800/400	XSPTC0804	284307	1	
800/500	XVTL-MP/T-8/5	114682	1	
800/600	XSPTC0806	284308	1	
800/800	XSPTC0808	284309	1	
850/300	XSPTC08503	143390	1	
850/400	XSPTC08504	143391	1	
850/500	XSPTC08505	143392	1	
850/600	XSPTC08506	143393	1	
850/800	XSPTC08508	143394	1	
1000/300	XVTL-MP/T-10/3	114683	1	
1000/400	XSPTC1004	284310	1	
1000/500	XVTL-MP/T-10/5	114684	1	
1000/600	XSPTC1006	284311	1	
1000/800	XSPTC1008	284312	1	
1100/300	XSPTC1103	143395	1	
1100/400	XSPTC1104	143396	1	
1100/500	XSPTC1105	143397	1	
1100/600	XSPTC1106	143398	1	
1100/800	XSPTC1108	133004	1	
1200/300	XVTL-MP/T-12/3	114685	1	
1200/400	XSPTC1204	284313	1	
1200/500	XVTL-MP/T-12/5	114686	1	
1200/600	XSPTC1206	284314	1	
1200/800	XSPTC1208	284315	1	
1350/300	XSPTC13503	143399	1	
1350/400	XSPTC13504	143400	1	
1350/500	XSPTC13505	143401	1	
1350/600	XSPTC13506	143402	1	
1350/800	XSPTC13508	133005	1	

# Add-On Distribution Boards

wa\_v125613



## XVTL-MP/T/EF, XSPTF Bottom Top Cover (IP55) with cut-outs prepared for the F3A cable insertion flange - incl. Screws

Width (mm) / Depth (mm) / Cut-out(s)	Type Designation	Article No.	Units per package
425/300 1	XVTL-MP/T/EF-4/3	114687	1
425/400 1	XSPTF0404	284316	1
425/500 2	XVTL-MP/T/EF-4/5	114688	1
425/600 2	XSPTF0406	284317	1
425/800 3	XSPTF0408	284318	1
600/300 2	XVTL-MP/T/EF-6/3	114689	1
600/400 2	XSPTF0604	284319	1
600/500 4	XVTL-MP/T/EF-6/5	114690	1
600/600 4	XSPTF0606	284320	1
600/800 6	XSPTF0608	284321	1
650/300 2	XSPTF06503	174275	1
650/400 2	XSPTF06504	174276	1
650/600 4	XSPTF06506	174277	1
800/300 3	XVTL-MP/T/EF-8/3	114691	1
800/400 3	XSPTF0804	284322	1
800/500 6	XVTL-MP/T/EF-8/5	114692	1
800/600 6	XSPTF0806	284323	1
800/800 9	XSPTF0808	284324	1
850/300 3	XSPTF08503	143403	1
850/400 3	XSPTF08504	143404	1
850/500 6	XSPTF08505	143405	1
850/600 6	XSPTF08506	143406	1
850/800 9	XSPTF08508	143407	1
1000/300 3	XVTL-MP/T/EF-10/3	114693	1
1000/400 3	XSPTF1004	284325	1
1000/500 6	XVTL-MP/T/EF-10/5	114694	1
1000/600 6	XSPTF1006	284326	1
1000/800 9	XSPTF1008	284327	1
1100/300 3	XSPTF1103	143408	1
1100/400 3	XSPTF1104	143409	1
1100/500 6	XSPTF1105	143410	1
1100/600 6	XSPTF1106	143411	1
1100/800 9	XSPTF1108	133006	1
1200/300 4	XVTL-MP/T/EF-12/3	114695	1
1200/400 4	XSPTF1204	284328	1
1200/500 8	XVTL-MP/T/EF-12/5	114696	1
1200/600 8	XSPTF1204	284329	1
1200/800 12	XSPTF1204	284330	1
1350/300 4	XSPTF13503	143412	1
1350/400 4	XSPTF13504	143413	1
1350/500 8	XSPTF13505	143414	1
1350/600 8	XSPTF13506	143415	1
1350/800 12	XSPTF13508	133007	1

## XVTL-MP/T/AC Top Cover (IP55) with cut outs prepared for air conditioner product Pfannenberg – incl. Screws

wa\_v127313



For Width (mm) / For Depth (mm)	Type Designation	Article No.	Units per package
for air conditioner Pfannenberg: DTD 5501 (3000 W)			
800/600	XVTL-MP/T/AC-8/6	119940	1
1000/600	XVTL-MP/T/AC-10/6	119941	1
1200/600	XVTL-MP/T/AC-12/6	119942	1
800/800	XVTL-MP/T/AC-8/8	119943	1
1000/800	XVTL-MP/T/AC-10/8	119944	1
1200/800	XVTL-MP/T/AC-12/8	119945	1

# Add-On Distribution Boards

xEnergy Light Add-On Distribution Board Accessories						
<b>Plinth</b>						
XVTL-SO.../S Side Panels						
<ul style="list-style-type: none"> <li>• Scope of delivery: 1 pair</li> <li>• For total weight &lt; 300 kg</li> </ul>						
<p>WA_VT08302</p>	For Depth (mm) / For Plinth Height (mm)	Type Designation	Article No.	Units per package		
	300 100	XVTL-SO100/S-3	114605	1		
	400 100	XVTL-SO100/S-4	114606	1		
	500 100	XVTL-SO100/S-5	114607	1		
	600 100	XVTL-SO100/S-6	114608	1		
	800 100	XVTL-SO100/S-8	114609	1		
	300 200	XVTL-SO200/S-3	114610	1		
	400 200	XVTL-SO200/S-4	114611	1		
	500 200	XVTL-SO200/S-5	114612	1		
	600 200	XVTL-SO200/S-6	114613	1		
	800 200	XVTL-SO200/S-8	114614	1		
	XVTL-SO.../EF/S Side Panels with cut-out for cable insertion (individual part)					
	<ul style="list-style-type: none"> <li>• Scope of delivery: 1 pair</li> </ul>					
	<p>WA_VT11303</p>	For Depth (mm) / For Plinth Height (mm)	Type Designation	Article No.	Units per package	
300 100		XVTL-SO100/EF/S-3	114615	1		
400 100		XVTL-SO100/EF/S-4	114616	1		
500 100		XVTL-SO100/EF/S-5	114617	1		
600 100		XVTL-SO100/EF/S-6	114618	1		
800 100		XVTL-SO100/EF/S-8	114619	1		
300 200		XVTL-SO200/EF/S-3	114620	1		
400 200		XVTL-SO200/EF/S-4	114621	1		
500 200		XVTL-SO200/EF/S-5	114622	1		
600 200		XVTL-SO200/EF/S-6	114623	1		
800 200		XVTL-SO200/EF/S-8	114624	1		
XVTL-SO.../F Front Panels						
<ul style="list-style-type: none"> <li>• In case of heavy-weight equipment inside the distribution board we recommend you use 2 pcs. of the XVTL-SO.../F front panels (front and rear position) or the xEnergy XAP... plinth</li> </ul>						
<p>WA_VT08202</p> <p>vI02315</p>		For Width (mm) / For Plinth Height (mm)	Type Designation	Article No.	Units per package	
	425 100	XVTL-SO100/F-4	114625	1		
	600 100	XVTL-SO100/F-6	114626	1		
	650 100	XVTL-SO100/F-65	174318	1		
	800 100	XVTL-SO100/F-8	114627	1		
	850 100	XVTL-SO100/F-85	143276	1		
	1000 100	XVTL-SO100/F-10	114628	1		
	1100 100	XVTL-SO100/F-11	143274	1		
	1200 100	XVTL-SO100/F-12	114629	1		
	1350 100	XVTL-SO100/F-135	143275	1		
	425 200	XVTL-SO200/F-4	114630	1		
	600 200	XVTL-SO200/F-6	114631	1		
	800 200	XVTL-SO200/F-8	114632	1		
	850 200	XVTL-SO200/F-85	143279	1		
	1000 200	XVTL-SO200/F-10	114633	1		
	1100 200	XVTL-SO200/F-11	143277	1		
	1200 200	XVTL-SO200/F-12	114634	1		
	1350 200	XVTL-SO200/F-135	143278	1		
	XVTL-SO.../CF, XAP...C Plinth for Corner Frame					
	<p>wa_vt66713</p>	For Depth (mm) / For Plinth Height (mm)	Type Designation	Article No.	Units per package	
400 100		XVTL-SO100/CF-4	116201	1		
500 100		XVTL-SO100/CF-5	116202	1		
600 100		XAP010606C	288868	1		
800 100		XAP010808C	288869	1		
400 200		XVTL-SO200/CF-4	116205	1		
500 200		XVTL-SO200/CF-5	116206	1		
600 200		XAP020606C	288890	1		
800 200		XAP020808C	288892	1		

# Add-On Distribution Boards

## XVTL-SO, XAP Plinth 100 mm

- For total weight > 300 kg

VT08106



Depth (mm) / Width (mm)		Type Designation	Article No.	Units per package
<b>100 mm high</b>				
300	425	XVTL-SO100/SS-4/3	116534	1
300	600	XVTL-SO100/SS-6/3	116535	1
300	650	XAP0106503	174311	1
300	800	XVTL-SO100/SS-8/3	116536	1
300	850	XAP0108503	143302	1
300	1000	XVTL-SO100/SS-10/3	116537	1
300	1100	XAP011103	143307	1
300	1200	XVTL-SO100/SS-12/3	116538	1
300	1350	XAP0113503	143311	1
400	425	XAP010404	283822	1
400	600	XAP010604	283825	1
400	650	XAP0106504	174312	1
400	800	XAP010804	283828	1
400	850	XAP0108504	143303	1
400	1000	XAP011004	283831	1
400	1100	XAP011104	143308	1
400	1200	XVTL-SO100/SS-12/4	119698	1
400	1350	XAP0113504	143312	1
500	425	XVTL-SO100/SS-4/5	116539	1
500	600	XVTL-SO100/SS-6/5	116540	1
500	800	XVTL-SO100/SS-8/5	116541	1
500	850	XAP0108505	143304	1
500	1000	XVTL-SO100/SS-10/5	116542	1
500	1100	XAP011105	143309	1
500	1200	XVTL-SO100/SS-12/5	116543	1
500	1350	XAP0113505	143313	1
600	425	XAP010406	283823	1
600	600	XAP010606	283826	1
600	650	XAP0106506	174313	1
600	800	XAP010806	283829	1
600	850	XAP0108506	143305	1
600	1000	XAP011006	283832	1
600	1100	XAP011106	143310	1
600	1200	XAP011206	283834	1
600	1350	XAP0113506	143314	1
800	425	XAP010408	283824	1
800	600	XAP010608	283827	1
800	800	XAP010808	283830	1
800	850	XAP0108508	143306	1
800	1000	XAP011008	283833	1
800	1100	XAP011108	133012	1
800	1200	XAP011208	283835	1
800	1350	XAP0113508	133013	1



# Add-On Distribution Boards

## XVTL-SO, XAP Plinth 200 mm

- For total weight > 300 kg

VT08106



Depth (mm) / Width (mm)		Type Designation	Article No.	Units per package
<b>200 mm high</b>				
300	425	XVTL-SO200/SS-4/3	116544	1
300	600	XVTL-SO200/SS-6/3	116545	1
300	800	XVTL-SO200/SS-8/3	116546	1
300	850	XAP0208503	143315	1
300	1000	XVTL-SO200/SS-10/3	116547	1
300	1100	XAP021103	143320	1
300	1200	XVTL-SO200/SS-12/3	116548	1
300	1350	XAP0213503	143324	1
400	425	XAP020404	283836	1
400	600	XAP020604	283839	1
400	800	XAP020804	283842	1
400	850	XAP0208504	143316	1
400	1000	XAP021004	283845	1
400	1100	XAP021104	143321	1
400	1200	XVTL-SO200/SS-12/4	119699	1
400	1350	XAP0213504	143325	1
500	425	XVTL-SO200/SS-4/5	116549	1
500	600	XVTL-SO200/SS-6/5	116550	1
500	800	XVTL-SO200/SS-8/5	116551	1
500	850	XAP0208505	143317	1
500	1000	XVTL-SO200/SS-10/5	116552	1
500	1100	XAP021105	143322	1
500	1200	XVTL-SO200/SS-12/5	116553	1
500	1350	XAP0213505	143326	1
600	425	XAP020406	283837	1
600	600	XAP020606	283840	1
600	800	XAP020806	283843	1
600	850	XAP0208506	143318	1
600	1000	XAP021006	283846	1
600	1100	XAP021106	143323	1
600	1200	XAP021206	283848	1
600	1350	XAP0213506	143327	1
800	425	XAP020408	283838	1
800	600	XAP020608	283841	1
800	800	XAP020808	283844	1
800	850	XAP0208508	143319	1
800	1000	XAP021008	283847	1
800	1100	XAP021108	133014	1
800	1200	XAP021208	283849	1
800	1350	XAP0213508	133015	1

## Cable Interconnect Angle for XVTL-SO/AT Plinth

- For the heavy-duty version of the plinth only
- XAR.. cable strain relief rail needs to be ordered separately

wa\_vt23513



wa\_vt23213



Depth (mm)	Type Designation	Article No.	Units per package
300	XVTL-SO/AT-3	116554	1
400	XVTL-SO/AT-4	116555	1
500	XVTL-SO/AT-5	116556	1
600	XVTL-SO/AT-6	116557	1
800	XVTL-SO/AT-8	116558	1

# Add-On Distribution Boards

## XSFDR Green Design Strip

- For fixing on the xEnergy Light enclosure

v101508



For Width (mm)	Type Designation	Article No.	Units per package
425	XSFDR04	101667	1
600	XSFDR06	101668	1
800	XSFDR08	101669	1
1000	XSFDR10	101670	1
1200	XSFDR12	101671	1
for Corner Frame	XSFDC	134483	1

## XSFDR Blue Design Strip

- For fixing on the xEnergy Light enclosure

VT12910



v102415



For Width (mm)	Type Designation	Article No.	Units per package
425	XSFDR04-B	143201	1
600	XSFDR06-B	143202	1
650	XSFDR065-B	174326	1
800	XSFDR08-B	143204	1
850	XSFDR085-B	143203	1
1000	XSFDR10-B	143205	1
1100	XSFDR11-B	143206	1
1200	XSFDR12-B	143207	1
1350	XSFDR135-B	143208	1
for Corner Frame	XSFDC-B	143200	1

## BPZ-SH-L, DH-COMF Clip-down Handle Lock

wa\_v104905



BPZ-SH-L

wa\_v127813



DH-COMF

Description	Type Designation	Article No.	Units per package
Softline long	BPZ-SH-L	131560	1
Click-comfort handle	DH-COMF	133107	1

## BPZ-CP-TP1,2 C-Sectional Strip





- Horizontal
- For subsequent installation on door profiles

wa\_v151913



Length (mm)	Type Designation	Article No.	Units per package
1200	BPZ-CP-TP1,2	119223	1

# Add-On Distribution Boards

		<b>Mounting Plates</b>			
		<b>XVTL-IC Mounting Plates</b>			
		<ul style="list-style-type: none"> <li>• Mounting plate with perforations, 2 mm thick</li> </ul>			
	For Width (mm) / For Height (mm)	Type Designation	Article No.	Units per package	
	425 / 1600	XVTL-IC-4/16	114761	1	
	425 / 2000	XVTL-IC-4/20	114762	1	
	600 / 1400	XVTL-IC-6/14	114763	1	
	600 / 1600	XVTL-IC-6/16	114764	1	
	600 / 1800	XVTL-IC-6/18	114765	1	
	600 / 2000	XVTL-IC-6/20	114766	1	
	800 / 1600	XVTL-IC-8/16	114767	1	
	800 / 1800	XVTL-IC-8/18	114768	1	
	800 / 2000	XVTL-IC-8/20	114769	1	
	1000 / 1600	XVTL-IC-10/16	114770	1	
	1000 / 1800	XVTL-IC-10/18	114771	1	
	1000 / 2000	XVTL-IC-10/20	114772	1	
	1200 / 1600	XVTL-IC-12/16	114773	1	
1200 / 1800	XVTL-IC-12/18	114774	1		
1200 / 2000	XVTL-IC-12/20	114775	1		
		<b>XVTL-IC/S Mounting Plates</b>			
		<ul style="list-style-type: none"> <li>• Enhanced mounting plate, 3 mm thick</li> </ul>			
	For Width (mm) / For Height (mm)	Type Designation	Article No.	Units per package	
	425 / 1600	XVTL-IC/S-4/16	114776	1	
	425 / 2000	XVTL-IC/S-4/20	114777	1	
	600 / 1400	XVTL-IC/S-6/14	114778	1	
	600 / 1600	XVTL-IC/S-6/16	114779	1	
	600 / 1800	XVTL-IC/S-6/18	114780	1	
	600 / 2000	XVTL-IC/S-6/20	114781	1	
	800 / 1600	XVTL-IC/S-8/16	114782	1	
	800 / 1800	XVTL-IC/S-8/18	114783	1	
	800 / 2000	XVTL-IC/S-8/20	114784	1	
	1000 / 1600	XVTL-IC/S-10/16	114785	1	
	1000 / 1800	XVTL-IC/S-10/18	114786	1	
	1000 / 2000	XVTL-IC/S-10/20	114787	1	
	1200 / 1600	XVTL-IC/S-12/16	114788	1	
1200 / 1800	XVTL-IC/S-12/18	114789	1		
1200 / 2000	XVTL-IC/S-12/20	114790	1		
		<b>XVTL-IC/BRA/SET Brackets for XVTL-IC Mounting Plates</b>			
		<ul style="list-style-type: none"> <li>• Set consisting of XVTL-BRA brackets (2 pairs) and XVTL-BRA/M brackets (1 pair)</li> </ul>			
	Description	Type Designation	Article No.	Units per package	
	Set of brackets for fixing XVTL-IC mounting plates	XVTL-IC/BRA/SET	116893	1	
		<b>XVTL-FITUP Mounting Aid</b>			
		<ul style="list-style-type: none"> <li>• Is used to make it easy to install pre-equipped XVTL-IC full-height mounting plates in the xEnergy Light, with direct fixing on the frame</li> <li>• Installation without screws, removable (aid for panel builders only)</li> <li>• Scope of delivery: 1 pair</li> </ul>			
	For Depth	Type Designation	Article No.	Units per package	
	300	XVTL-FITUP-3	116209	1	
	400	XVTL-FITUP-4	116210	1	
	500	XVTL-FITUP-5	116211	1	
	600	XVTL-FITUP-6	116212	1	
	800	XVTL-FITUP-8	116213	1	

# Add-On Distribution Boards

## XVTL-FITUP/BRA Mounting Aid

- Is used to make it easy to install pre-equipped XVTL-IC full-height mounting plates in the xEnergy Light, with fixing on XVTL-BRA
- Installation without screws, removable (aid for panel builders only)
- Universal type for all depths (400, 500, 600, 800 mm)
- Scope of delivery: 1 pair

wa\_vt01107



For Depth	Type Designation	Article No.	Units per package
400, 500, 600, 800	XVTL-FITUP/BRA	115136	1

## BPZ-MPL Mounting Plates

- Width of 400 mm is only suitable for fixing it on the Xboard Profi+ XVTL-BP-F mounting frame
- Width of 425 mm is only suitable for fixing it in xEnergy Light add-on distribution board or on XVTL-VP vertical profiles
- Widths of 600, 800, 1000, 1200 mm can be fixed both ways

WA\_VT07302



For Height (mm) / For Width (mm)	Type Designation	Article No.	Units per package
100 400	BPZ-MPL100-400	114799	1
100 425	BPZ-MPL100-425	114800	1
100 600	BPZ-MPL100-600	114801	1
100 800	BPZ-MPL100-800	114802	1
100 1000	BPZ-MPL100-1000	114803	1
100 1200	BPZ-MPL100-1200	114804	1
200 400	BPZ-MPL200-400	114805	1
200 425	BPZ-MPL200-425	114806	1
200 600	BPZ-MPL200-600	114807	1
200 800	BPZ-MPL200-800	114808	1
200 1000	BPZ-MPL200-1000	114809	1
200 1200	BPZ-MPL200-1200	114810	1
300 400	BPZ-MPL300-400	114811	1
300 425	BPZ-MPL300-425	114812	1
300 600	BPZ-MPL300-600	114813	1
300 800	BPZ-MPL300-800	114814	1
300 1000	BPZ-MPL300-1000	114815	1
300 1200	BPZ-MPL300-1200	114816	1
400 400	BPZ-MPL400-400	114817	1
400 425	BPZ-MPL400-425	114818	1
400 600	BPZ-MPL400-600	114819	1
400 800	BPZ-MPL400-800	114820	1
400 1000	BPZ-MPL400-1000	114821	1
400 1200	BPZ-MPL400-1200	114822	1
500 400	BPZ-MPL500-400	114823	1
500 425	BPZ-MPL500-425	114824	1
500 600	BPZ-MPL500-600	114825	1
500 800	BPZ-MPL500-800	114826	1
500 1000	BPZ-MPL500-1000	114827	1
500 1200	BPZ-MPL500-1200	114828	1

## BPZ-MPLSASY Mounting Plates

- With holes prepared for mounting SASY 60i
- Can be mounted on XVTL-VP or XVTL-BRA/IC250

VT01208



For Height (mm) / For Width (mm)	Type Designation	Article No.	Units per package
250 425	BPZ-MPLSASY-425	114829	1
250 600	BPZ-MPLSASY-600	114830	1
250 800	BPZ-MPLSASY-800	114831	1
250 1000	BPZ-MPLSASY-1000	114832	1
250 1200	BPZ-MPLSASY-1200	114833	1

## XVTL-IC-Z Connecting Piece between Mounting Plates

- Can be mounted on XVTL-VP or XVTL-BRA/IC250

For Height (mm)	Type Designation	Article No.	Units per package
1400	XVTL-IC-Z-14	114791	1
1600	XVTL-IC-Z-16	114792	1
1800	XVTL-IC-Z-18	114793	1
2000	XVTL-IC-Z-20	114794	1




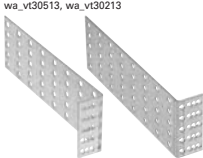

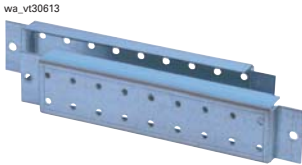
# Add-On Distribution Boards

VT105914



XVTL-MP/PH Separating Plates horizontal			
Width (mm)	Type Designation	Article No.	Units per package
650	XVTL-MP/PH-6/3	174319	1
850	XVTL-MP/PH-8/3	174322	1

# Add-On Distribution Boards

		<b>XVTL-BRA Brackets</b>			
		<ul style="list-style-type: none"> <li>• Scope of delivery: 1 pair</li> </ul>			
		Used with	Type Designation	Article No.	Units per package
 <p>wa_vt30313</p> <p>WA_VT07502</p> <p>XVTL-BRA</p> <p>XVTL-BRA/M</p>  <p>wa_vt00607</p> <p>XVTL-BRA/L</p>  <p>wa_vt30413</p> <p>XVTL-BRA/IC250</p>  <p>wa_vt30513, wa_vt30213</p> <p>XVTL-BRA/DIN</p>	XVTL-IC, -HP, -VP	XVTL-BRA	115132	1	
	XVTL-IC, -HP, -VP as additional support in the middle	XVTL-BRA/M	115134	1	
	XVTL-HP, -VP, adjustable, for light-weight equipment or front plate fixing	XVTL-BRA/L	116214	1	
	For XVTL-IC with heavy-weight equipment	XVTL-BRA/IC250	115133	1	
	DIN-rails (e.g. for TSA, TSC), universal use	XVTL-BRA/DIN	116215	1	
XVTL-VP	XVTL-BRA/VP	177613	1		
		<b>Profiles</b> <b>XVTL-HP Horizontal Profiles</b> <ul style="list-style-type: none"> <li>• Set consisting of 2 units</li> <li>• Universal use</li> <li>• Designed for heavy mechanical loads (with XVTL-CAGENUTS-M8)</li> <li>• XVTL-BRA/L and XVTL-BRA/M are easy to mount on the horizontal profile</li> </ul>			
 <p>WA_VT07502</p>	For Depth (mm)	Type Designation	Article No.	Units per package	
	300	XVTL-HP-3	115137	1	
	400	XVTL-HP-4	115138	1	
	500	XVTL-HP-5	115139	1	
	600	XVTL-HP-6	115140	1	
	800	XVTL-HP-8	115141	1	
		<b>XVTL-HP/L Horizontal Profiles</b> <ul style="list-style-type: none"> <li>• Set consisting of 2 units</li> <li>• Universal use</li> <li>• Designed for light mechanical loads up to 30 kg/bracket</li> <li>• XVTL-BRA/L and XVTL-BRA/M are easy to mount on the horizontal profile</li> </ul>			
 <p>wa_vt30613</p>	For Depth (mm)	Type Designation	Article No.	Units per package	
	300	XVTL-HP/L-3	115144	1	
	400	XVTL-HP/L-4	115145	1	
	500	XVTL-HP/L-5	115146	1	
	600	XVTL-HP/L-6	115147	1	
	800	XVTL-HP/L-8	115148	1	

# Add-On Distribution Boards

## XBBB Transversal support for divers fixtures (e.g.: XBSP, XBSN,...)

- set consists of 1 pc.

wa\_vt68713



For Depth (mm)	Type Designation	Article No.	Units per package
425	XBBB04	283859	1
600	XBBB06	283860	1
650	XBBB065	177319	1
800	XBBB08	283861	1
850	XBBB085	143187	1
1000	XBBB10	283862	1
1100	XBBB11	133098	1
1200	XBBB12	283863	1
1350	XBBB135	133099	1

## XBBB..-1 Transversal support for bus bar holder XVTL-BSB

- set consists of 1 pc.

VT28110



For Depth (mm) / Fixation	Type Designation	Article No.	Units per package
425 / left and right	XBBB04-1	143184	1
600 / left and right	XBBB06-1	143185	1
650 / left and right	XBBB065-1	177320	1
800 / left and right	XBBB08-1	143186	1
850 / left and right	XBBB085-1	143188	1
1000 / left and right	XBBB10-1	143189	1
1100 / left and right	XBBB11-1	143190	1
1200 / left and right	XBBB12-1	143191	1
1350 / left and right	XBBB135-1	143192	1

## XBBB..-2 Transversal support

- set consists of 1 pc.

vt05715



For Depth (mm) / Fixation	Type Designation	Article No.	Units per package
650 / links und rechts	XBBB065-2	177321	1
850 / links und rechts	XBBB085-2	177322	1

## XSFS Depth Mounting Rail for bus bar holder XVTL-BSB

- in order to adapt the mounting depth of the bus bar system
- set consists of 2 pcs.

VT28310



For Depth (mm)	Type Designation	Article No.	Units per package
400	XSFS04-1	143209	1
500	XSFS05-1	143210	1
600	XSFS06-1	143211	1
800	XSFS08-1	143212	1

## XSFS06-2 Mounting Rail

- Depth profile with hole pattern 5mm-displacement

vt05815



Depth (mm)	Type Designation	Article No.	Units per package
600	XSFS06-2	177323	1

# Add-On Distribution Boards

## XVTL-HP...-MIB Horizontal Profiles

- Set consisting of 2 units
- Used for XVTL-IZM13 and XVTL-IZM58 mounting plates
- Designed for heavy mechanical loads

VT01308



For Depth (mm)	Type Designation	Article No.	Units per package
600	XVTL-HP-6-MIB	115142	1
800	XVTL-HP-8-MIB	115143	1

## XVTL-IZM Mounting Plate for IZM13, IZM58, IZMX16, IZMX40 and IZM26

- For fixing the mounting plate you need to order the XVTL-HP...-MIB horizontal profiles according to the respective cabinet depth (one switch per mounting plate)

VT01408



For Width (mm)	Type Designation	Article No.	Units per package
<b>IZM13</b>			
600	XVTL-IZM-6	115149	1
800	XVTL-IZM-8	115150	1
1000	XVTL-IZM-10	115151	1
1200	XVTL-IZM-12	115152	1
<b>IZMX16, IZMX40 and IZM26</b>			
425	XVTL-IZM26-4	132964	1
600	XVTL-IZM26-6	132965	1
800	XVTL-IZM26-8	132966	1
1000	XVTL-IZM26-10	132967	1
1200	XVTL-IZM26-12	132968	1

## XMPIX16MW Mounting Plate for IZMX16

combinable with Profi+ Mounting Frame and MSW

- for single switch, 3- and 4-pole, fixed and withdrawable
- For fixing the mounting plate you need to order the XVTL-HP...-MIB horizontal profiles according to the respective cabinet depth (one switch per mounting plate)

VT125414



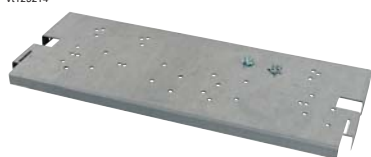
Width (mm)	Type Designation	Article No.	Units per package
600	XMPIX16MW600	174573	1

## XMPIX16\_40MW Mounting Plate for IZMX16 and IZMX40

combinable with Profi+ Mounting Frame and MSW

- for max. two IZMX16, 3- and 4-pole, fixed and withdrawable or for single IZMX40, 3- and 4-pole, fixed and withdrawable
- For fixing the mounting plate you need to order the XVTL-HP...-MIB horizontal profiles according to the respective cabinet depth (one switch per mounting plate)

vt125214



Width (mm)	Type Designation	Article No.	Units per package
800	XMPIX16_40MW800	174574	1
1000	XMPIX16_40MW1000	174575	1

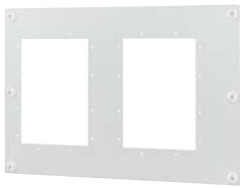


# Add-On Distribution Boards

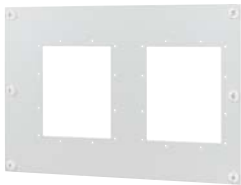
## XMPIX Front Plate for IZMX16

- only in combination with Profi+ MSW or Front Plate Support
- suitable for 3- and 4-pole type

v1124114



v1123914



Height/Width (mm)	Type Designation	Article No.	Units per package
-------------------	------------------	-------------	-------------------

### Withdrawable

500/600	XMPIX16W-C-H500W600	174576	1
500/800	XMPIX2X16W-C-H500W800	174577	1
500/1000	XMPIX2X16W-C-H500W1000	174578	1

### Fixed

500/600	XMPIX16F-C-H500W600	174579	1
500/800	XMPIX2X16F-C-H500W800	174580	1
500/1000	XMPIX2X16F-C-H500W1000	174581	1

## XMPIX40 Front Plate for IZMX40

- only in combination with Profi+ MSW or Front Plate Support
- suitable for 3- and 4-pole type

VT124414



v1124514



Height/Width (mm)	Type Designation	Article No.	Units per package
-------------------	------------------	-------------	-------------------

### Withdrawable

600/800	XMPIX40W-C-H600W800	174582	1
600/1000	XMPIX40W-C-H600W1000	174583	1

### Fixed

600/800	XMPIX40F-C-H600W800	174584	1
600/1000	XMPIX40F-C-H600W1000	174585	1

# Add-On Distribution Boards

## XVTL-VP Vertical Profiles

- Set consisting of 2 units of XVTL-VP vertical profiles, depending on the height either of 2 or 4 units of XVTL-BRA brackets and/or 2 units of XVTL-BRA/M brackets for additional support in the middle

WA\_VT08102



XVTL-VP...

wa\_vt01207



XVTL-VP.../SET

For Height (mm)	Type Designation	Article No.	Units per package
600	XVTL-VP6	115157	1
1000	XVTL-VP10	115158	1
1400	XVTL-VP14	115159	1
1600	XVTL-VP16	115160	1
1800	XVTL-VP18	115161	1
2000	XVTL-VP20	115162	1
600	XVTL-VP6/SET	115163	1
1000	XVTL-VP10/SET	115164	1
1400	XVTL-VP14/SET	115165	1
1600	XVTL-VP16/SET	115166	1
1800	XVTL-VP18/SET	115167	1
2000	XVTL-VP20/SET	115168	1

## XSPBA, XVTL-BP/JL Bottom Covers

- Type XSPBA with shift-back flange, 60 - 75 mm deep, adjustable, for thin cables
- Type XVTL-BP/JL with shift-back flange, 90 - 105 mm deep, adjustable, for thick cables

wa\_vt14213



wa\_vt14113



wa\_vt14313


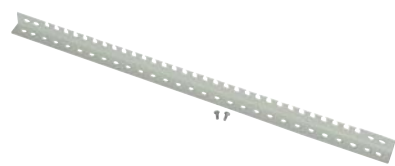




WA\_VT06702







For Depth (mm) / For Width (mm) / Cables	Type Designation	Article No.	Units per package
35 425	XSPBAC0401	107687	1
35 600	XSPBAC0601	107688	1
35 800	XSPBAC0801	107689	1
35 850	XSPBAC08501	143358	1
35 1000	XSPBAC01001	107690	1
35 1100	XSPBAC1101	143360	1
35 1200	XSPBAC01201	107691	1
35 1350	XSPBAC13501	143362	1
110 425	XSPBAC0402	107692	1
110 600	XSPBAC0602	107693	1
110 800	XSPBAC0802	107694	1
110 850	XSPBAC08502	143359	1
110 1000	XSPBAC01002	107695	1
110 1100	XSPBAC1102	143361	1
110 1200	XSPBAC01202	107696	1
110 1350	XSPBAC13502	143363	1
60-75 425 < Ø 50 mm	XSPBA0401	107679	1
60-75 600 < Ø 50 mm	XSPBA0601	107680	1
60-75 800 < Ø 50 mm	XSPBA0801	107681	1
60-75 850 < Ø 50 mm	XSPBA08501	143355	1
60-75 1000 < Ø 50 mm	XSPBA1001	107682	1
60-75 1100 < Ø 50 mm	XSPBA1101	143356	1
60-75 1200 < Ø 50 mm	XSPBA1201	107683	1
60-75 1350 < Ø 50 mm	XSPBA13501	143357	1
90-105 425 Ø 50-80 mm	XVTL-BP/JL-4	115237	1
90-105 600 Ø 50-80 mm	XVTL-BP/JL-6	115238	1
90-105 800 Ø 50-80 mm	XVTL-BP/JL-8	115239	1
90-105 850 Ø 50-80 mm	XVTL-BP/JL-85	143233	1
90-105 1000 Ø 50-80 mm	XVTL-BP/JL-10	115240	1
90-105 1100 Ø 50-80 mm	XVTL-BP/JL-11	143231	1
90-105 1200 Ø 50-80 mm	XVTL-BP/JL-12	115241	1
90-105 1350 Ø 50-80 mm	XVTL-BP/JL-135	143232	1

# Add-On Distribution Boards

<b>Cable Strain Relief Rails</b>					
XAR incl. Screws					
 wa_vt15013	For Width (mm) / Profile		Type Designation	Article No.	Units per package
	425	C	XAR04	283850	1
	600	C	XAR06	283851	1
	800	C	XAR08	283852	1
	850	C	XAR085	143183	1
	1000	C	XAR10	283853	1
	1100	C	XAR11	133076	1
	1200	C	XAR12	283854	1
	1350	C	XAR135	133077	1
Length (mm)		Type Designation	Article No.	Units per package	
2000		XAR2000	174589	1	
XNNGP-M Threaded Plates for Cable Strain Relief Rails					
Size of thread		Type Designation	Article No.	Units per package	
M6		XNNGP-M6	174591	1	
M8		XNNGP-M8	174590	1	
XVTL-AB incl. Screws					
 wa_vt29513	For Width (mm) / Profile		Type Designation	Article No.	Units per package
	425	L	XVTL-AB-4	115242	1
	600	L	XVTL-AB-6	115243	1
	650	L	XVTL-AB-65	174325	1
	800	L	XVTL-AB-8	115244	1
	850	L	XVTL-AB-85	143230	1
	1000	L	XVTL-AB-10	115245	1
	1100	L	XVTL-AB-11	143228	1
	1200	L	XVTL-AB-12	115246	1
1350	L	XVTL-AB-135	143229	1	
<b>XAB4, XVTL-SPT6 Wiring Diagram Pocket</b>					
 wa_vt08413	Description		Type Designation	Article No.	Units per package
	Plastic, self-adhesive		XAB4	283482	1
	Metal, to be fixed on the door XVTL-SPT6 profile using M5 screws			115247	1
<b>XVTL-DA Door Arrester Set</b>					
• Stop angle suitable for curved door (Design Door)					
 wa_vt29013			Type Designation	Article No.	Units per package
	Door arrester in 90° position, with pneumatic shock absorber		XVTL-DA	116216	1

# Add-On Distribution Boards

	<b>XVTL-DA-F Door Arrester Set</b> <ul style="list-style-type: none"> <li>• Stop angle suitable for flat door</li> </ul>			
	Type Designation	Article No.	Units per package	
	Door arrester in 90° position, with pneumatic shock absorber	XVTL-DA-F 178127	1	
	<b>Busbar Support up to 2500 A for Installation of Equipment</b> <ul style="list-style-type: none"> <li>• Designed for universal use with 10 mm flat busbars L1, L2, L3, N</li> <li>• 125 mm distance between the busbars</li> <li>• Rated operating current acc. to type max. 1250, 1600, 2000, 2500 A</li> <li>• Scope of delivery includes the screws</li> </ul>			
 <p>wa_vt01607</p>	Dimensions of Busbars (mm) I <sub>n</sub> (A)	Type Designation	Article No.	Units per package
	2x40x10	1250 XBST12	283874	1
	2x60x10	1600 XBST16	283876	1
	2x80x10	2000 XBST20	283878	1
	2x100x10	2500 XBST25	283879	1
	<b>XVTL-BSB Busbar holder to be mounted in the back side of the section</b> <ul style="list-style-type: none"> <li>• for flat copper</li> <li>• 185 mm phase to phase distance</li> <li>• rated current 2500 A</li> <li>• rated short-time withstand current I<sub>cw</sub> (0,1 s) = 80 kA<sub>rms</sub>; I<sub>cw</sub> (1s) = 65 kA<sub>rms</sub></li> <li>• rated peak withstand current I<sub>pk</sub> = 176 kA</li> <li>• surface insulation resistance 1010 Ω/cm</li> <li>• max. operating temperature 130°C</li> <li>• incl. metal support and screws</li> <li>• middle bus bar support XVTL-BSB-M is used starting from section width 800 mm in order to reach the necessary short circuit strength</li> </ul>			
 <p>VT28010</p>	Mounting	Type Designation	Article No.	Units per package
	left/right	XVTL-BSB	116890	1
	middle	XVTL-BSB-M	116891	1
	<b>XBSN Bus bar holder for N-conductor</b> <ul style="list-style-type: none"> <li>• for flat copper 10 mm</li> <li>• incl. sheet steel angle</li> <li>• incl. screws</li> </ul>			
 <p>wa_vt08813</p>	Busbar / Rated current (A)	Type Designation	Article No.	Units per package
	2x40x10 1600	XBSN16	284747	1
	2x60x10 2000	XBSN20	284748	1
	2x80x10 2500	XBSN32	284749	1
	3x80x10 3200	XBSN32	284749	1
	<b>XBSP Bus bar holder for PE/PEN-conductor</b> <ul style="list-style-type: none"> <li>• for flat copper 10 mm</li> <li>• incl. screws</li> </ul>			
 <p>VT27209</p>	Busbar / Rated current (A)	Type Designation	Article No.	Units per package
	1x40x10 1600	XBSP	283872	1
	1x60x10 2000	XBSP	283872	1
	1x80x10 2500	XBSP	283872	1
	1x100x10 3200	XBSP	283872	1

# Add-On Distribution Boards

## Mounting Angle for SASY60i Rail Support

- Fitting for SASY60i Rail Support BBS-3/FL+BBS-1/FL
- Fitting for 3 and 4 pole
- To mount onto XBBB..
- For horizontal mounting (H = 13 mm)
- For vertical mounting (H = 43 mm)

Description	Type Designation	Article No.	Units per package
vertical	XVTL-SASY60-HORIZONTAL	180583	1
horizontal	XVTL-SASY60-VERTICAL	180584	1

## PHZ-E10/30 Semi-Cylinder Lock with Key, KEY-E10/30-GS Reserve Key

N8199



N8199



Description	Type Designation	Article No.	Units per package
Profile semi-cylinder 10/30, single-door locking, incl. 1 key	PHZ-E10/30-GS	138574	1
Profile semi-cylinder 10/30, multi-door locking, incl. 3 keys	PHZ-E10/30-VS	138575	1
Reserve key single-door locking	KEY-E10/30-GS	138576	3

## NWS-SHE Lock Inserts

wa\_nt08913



Description	Type Designation	Article No.	Units per package
1 7mm square lock insert	NWS-SHE/4K/7	255306	1
2 8mm square lock insert	NWS-SHE/4K/8	255307	1
3 7mm triangular lock insert	NWS-SHE/3K/7	255304	1
4 8mm triangular lock insert	NWS-SHE/3K/8	255305	1
5 Two-way key bit, 3mm pin	NWS-SHE/DLB/DN3	255309	1
6 Two-way key bit, 5mm pin	NWS-SHE/DLB/DN5	255310	1
7 Daimler-Benz insert	NWS-SHE/DB	255308	1
8 Screwdriver-type insert	NWS-SHE/SZ	255311	1

## XAT Eye Bolts (for Transportation by Crane)

wa\_vt01707



Description	Type Designation	Article No.	Units per package
M 12	XAT	283855	4

## XVTL-SCREW-SET - Spare Screws

- Set of spare screws including different xEnergy Light screws

N05204







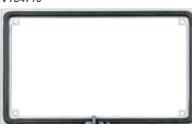


Type Designation	Article No.	Units per package
XVTL-SCREW-SET	116894	1



# Add-On Distribution Boards

		<b>XAC Sealing Set</b>				
		Description	Type Designation	Article No.	Units per package	
 <p>WA_VT10603</p> <p>WA_VT10603</p> <p>XAC</p> <p>XAC55</p>	Sealing set for add-on of cabinets (IP55)	XAC55	284793	1		
	Set for add-on of cabinets (IP40)	XAC	283483	1		
		<b>XACB Section Connection Bracket</b>				
		• added to XAC or XAC55				
				Type Designation	Article No.	Units per package
 <p>wa_vt27213</p>			XACB	134484	2	
			<b>XACC Section Connection Clip</b>			
		• added to XAC or XAC55				
				Type Designation	Article No.	Units per package
 <p>wa_vt272613</p>			XACC	126859	4	
			<b>XVTL-WFB Wall Angle Bracket</b>			
				Type Designation	Article No.	Units per package
 <p>vt06015</p>			XVTL-WFB	177324	1	
			<b>XVTL-CLIPSNUT-M8 Clips Nut, KM-6 Cage Nut</b>			
		Description	Type Designation	Article No.	Units per package	
 <p>vt10515</p> <p>wa_vt29413</p>	M8 clips nut for mounting different components on the frame	XVTL-CLIPSNUT-M8	115250	10		
	M6 cage nut for mounting different components on the frame	KM-6	275420	20		

# Add-On Distribution Boards

		<b>F3A Flanges</b>			
		Type Designation	Article No.	Units per package	
<p>VT17407, VT09208, VT17507, VT17307, VT17607, VT17707, VT17807, VT17207, VT28210</p> 		Blind flange	F3A-0	074182	1
		Blind flange, sheet steel	F3A-XP	113426	1
		4xM16, 6xM25/16, 8xM32/20	F3A-4	081301	1
		2xM20, 8xM25/16, 4xM32/20, 1xM50/32	F3A-8	091468	1
		2xM16, 12xM20, 2xM40/25, 2xM50/32	F3A-12	076555	1
		24xM16, 13xM20	F3A-34	078928	1
		2 Grommets for cables up to Ø 70mm	F3A-KTD	083674	1
	Cellular rubber pass-through flange 40 cables Ø 10-13mm 4 cables Ø 17-21mm 2 cables Ø 27-30mm	F3A-D	010145	1	
	Sheet steel flange plate as ventilation shroud	F3A-V	149194	1	
		<b>UFK Pass-through Flanges</b>			
		Description	Type Designation	Article No.	Units per package
<p>VT35010, VT34810, VT35110, VT34910</p> <p>1)  2) </p> <p>3)  4) </p>		1) 8xM20, 6xM25, 5xM32, 7xM40	UFK1	150661	1
		2) 4xM16, 32xM20, 4xM25, 3xM40	UFK2	150662	1
		3) 6xM16, 12xM20, 15xM25, 3xM32, 3xM40	UFK3	150663	1
		4) 6xM16, 1xM20, 4xM25, 5xM32, 3xM50/63	UFK4	150664	1
		<b>Lock set for UFK flanges</b>			
		Type Designation	Article No.	Units per package	
<p>VT34510</p> 		XBUFK	150665	1	
			<b>Adaptor Frame - F3A/UFK flanges</b>		
		Description	Type Designation	Article No.	Units per package
<p>VT34710</p> 		Adaptor frame to mount UFK flanges into a cut-out for F3A flanges	UFK-AFP-F3A	150642	1

# Add-On Distribution Boards

	<p><b>TS35 DIN Rail</b></p> <ul style="list-style-type: none"> <li>• TS35x7,5: The short-circuit strength as PE conductor conform to Cu conductor 16 mm<sup>2</sup></li> <li>• TS35x15: The short-circuit strength as PE conductor conform to Cu conductor 50 mm<sup>2</sup></li> </ul>			
 <p>VT07310</p>	Length (m)	Type Designation	Article No.	Units per package
	2	TS35x7,5	53030	20
	2	TS35x15	50657	10
	<p><b>TS1-BRA-CS Mounting Bracket addicted</b></p> <ul style="list-style-type: none"> <li>• For mounting of DIN Rail TS35x7,5/15</li> <li>• Steel sheet zinc coated</li> </ul>			
 <p>VT16310</p>			Type Designation	Article No. Units per package
			TS1-BRA-CS	138772 100



# Add-On Distribution Boards

<b>Lighting</b>				
Version / Power consumption	Type Designation	Article No.	Units per package	
 <p>NT01412</p>	LED Cabinet Lamp with Proximity-Sensor and Switch, magnet strip DNW-SIL/LED/IR/S/MG			
	SlimLine LED 4W @ 24VDC	DNW-SIL/LED/IR/S/MG	170125	1
 <p>NT01312</p>	LED Converter for Cabinet Lamp SlimLine LED, DNW-CON/LED/...			
	5W (1 SlimLine LED)	DNW-CON/LED/5W	170126	1
	15W (up to 3 SlimLine LEDs)	DNW-CON/LED/15W	170127	1
 <p>N03006</p>	Door Contact NWS-TKT			
	Accessory	NWS-TKT	255420	1
	Assembled (onto angle for door contact)	NWS-TKT/M	285046	1
<b>Door Grounding Set BFZ-DES</b>				
Version	Type Designation	Article No.	Units per package	
6 mm <sup>2</sup> , length 300 mm	BFZ-DES	101665	1	
 <p>VT19305</p>				
<b>XAFL Flask with Brush Applicator, XAFS Spray</b>				
Paint Colour	Type Designation	Article No.	Units per package	
Flask RAL 7035	XAFL7035	101402	1	
Spray RAL 7035	XAFS7035	101401	1	
 <p>VT09405</p>  <p>VT12208</p>				

# Add-On Distribution Boards

## XVTL-BP-F Profi+ Mounting Frame

- Not suitable for a depth of 300 mm
- Installation units see in catalogue Profi+

wa\_vt08513



Width/ Height	Type Designation	Article No.	Units per package
425 / 1600	XVTL-BP-F-4/16	115172	1
425 / 2000	XVTL-BP-F-4/20	115173	1
600 / 1400	XVTL-BP-F-6/14	115177	1
600 / 1600	XVTL-BP-F-6/16	115178	1
600 / 1800	XVTL-BP-F-6/18	115179	1
600 / 2000	XVTL-BP-F-6/20	115180	1
800 / 1600	XVTL-BP-F-8/16	115184	1
800 / 1800	XVTL-BP-F-8/18	115185	1
800 / 2000	XVTL-BP-F-8/20	115186	1
1000 / 1600	XVTL-BP-F-10/16	115190	1
1000 / 1800	XVTL-BP-F-10/18	115191	1
1000 / 2000	XVTL-BP-F-10/20	115192	1
1200 / 1600	XVTL-BP-F-12/16	115196	1
1200 / 1800	XVTL-BP-F-12/18	115197	1
1200 / 2000	XVTL-BP-F-12/20	115198	1

## XVTL-BP-F Profi+ Mounting Frame and Assembly Frame

- For all depths of Distribution Boards (300, 400, 600 mm)
- Section width 650 and 850 mm
- Consisting of Mounting Frame and Assembly Frame
- Installation units see in catalogue Profi+

VT105314



Width/ Height	Type Designation	Article No.	Units per package
650 / 1400	XVTL-BP-F-65/14	174278	1
650 / 1600	XVTL-BP-F-65/16	174279	1
650 / 1800	XVTL-BP-F-65/18	174280	1
650 / 2000	XVTL-BP-F-65/20	174281	1
850 / 1400	XVTL-BP-F-85/14	174282	1
850 / 1600	XVTL-BP-F-85/16	174283	1
850 / 1800	XVTL-BP-F-85/18	174284	1
850 / 2000	XVTL-BP-F-85/20	174285	1

## XVTL-BP-F Profi+ Mounting Frame (only for depth of 300 mm)

- Only for installation in Distribution Boards with a depth of 300 mm
- Installation units see in catalogue Profi+

VT33114



Height	Type Designation	Article No.	Units per package
1400	XVTL-BP-F-14/3	173653	1
1600	XVTL-BP-F-16/3	173654	1
1800	XVTL-BP-F-18/3	173655	1
2000	XVTL-BP-F-20/3	173656	1

# Add-On Distribution Boards

<b>XVTL-BP-W Profi+ Built-in Frame for Installation Outgoers</b> <ul style="list-style-type: none"> <li>• Distance from front plate to door = 135 mm</li> <li>• Installation units see in catalogue Profi+</li> </ul>				
Width/ Height	Type Designation	Article No.	Units per package	
425 / 1600	XVTL-BP-W-4/16	115202	1	
425 / 2000	XVTL-BP-W-4/20	115203	1	
600 / 1400	XVTL-BP-W-6/14	115207	1	
600 / 1600	XVTL-BP-W-6/16	115208	1	
600 / 1800	XVTL-BP-W-6/18	115209	1	
600 / 2000	XVTL-BP-W-6/20	115210	1	
800 / 1600	XVTL-BP-W-8/16	115214	1	
800 / 1800	XVTL-BP-W-8/18	115215	1	
800 / 2000	XVTL-BP-W-8/20	115216	1	
1000 / 1600	XVTL-BP-W-10/16	115220	1	
1000 / 1800	XVTL-BP-W-10/18	115221	1	
1000 / 2000	XVTL-BP-W-10/20	115222	1	
1200 / 1600	XVTL-BP-W-12/16	115226	1	
1200 / 1800	XVTL-BP-W-12/18	115227	1	
1200 / 2000	XVTL-BP-W-12/20	115228	1	

<b>XVTL-BP-W Profi+ Built-in Frame for Installation Outgoers with installation depth 185 mm</b> <ul style="list-style-type: none"> <li>• Distance from front plate to door = 185 mm</li> <li>• Installation units see in catalogue Profi+</li> </ul>				
Width/ Height	Type Designation	Article No.	Units per package	
425 / 1600	XVTL-BP-W-4/16-185	120623	1	
425 / 2000	XVTL-BP-W-4/20-185	120624	1	
600 / 1400	XVTL-BP-W-6/14-185	120625	1	
600 / 1600	XVTL-BP-W-6/16-185	120626	1	
600 / 1800	XVTL-BP-W-6/18-185	120627	1	
600 / 2000	XVTL-BP-W-6/20-185	120628	1	
800 / 1600	XVTL-BP-W-8/16-185	120629	1	
800 / 1800	XVTL-BP-W-8/18-185	120630	1	
800 / 2000	XVTL-BP-W-8/20-185	120631	1	
1000 / 1600	XVTL-BP-W-10/16-185	120632	1	
1000 / 1800	XVTL-BP-W-10/18-185	120633	1	
1000 / 2000	XVTL-BP-W-10/20-185	120634	1	
1200 / 1600	XVTL-BP-W-12/16-185	120635	1	
1200 / 1800	XVTL-BP-W-12/18-185	120636	1	
1200 / 2000	XVTL-BP-W-12/20-185	120637	1	

<b>XVTL-SF-../3 Set for splitted composition (only for depth of 300 mm)</b> <ul style="list-style-type: none"> <li>• Only for installation in Distribution Boards with a depth of 300 mm</li> <li>• For instance splitting of 400/400 mm, 400/600 mm, 600/600 mm</li> </ul>				
Height	Type Designation	Article No.	Units per package	
1600	XVTL-SF-16/3	173657	1	
1800	XVTL-SF-18/3	173658	1	
2000	XVTL-SF-20/3	173659	1	

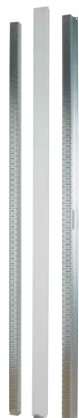
wa\_vt08613



wa\_vt08613



VT33214



# Add-On Distribution Boards

## XVTL-SF-...-200 Set for splitted composition with cable area 200 mm

(only for depth of 300 mm)

- Only for installation in Distribution Boards with a depth of 300 mm
- With 200 mm compartment for cable duct with door inside for cable area cover
- Internal door is accessory of Profi+

VT33314



Height	Type Designation	Article No.	Units per package
1600	XVTL-SF-16/3-200	173660	1
1800	XVTL-SF-18/3-200	173661	1
2000	XVTL-SF-20/3-200	173662	1

## XVTL-SF Set for splitted composition

- For all depths of Distribution Boards except 300 mm
- For instance splitting of 400/400 mm, 400/600 mm, 600/600 mm

VT33014



Height	Type Designation	Article No.	Units per package
1600	XVTL-SF-16	173663	1
1800	XVTL-SF-18	173664	1
2000	XVTL-SF-20	173665	1

## XVTL-SF-...-200 Set for splitted composition with cable area 200 mm

- For all depths of Distribution Boards except 300 mm
- With 200 mm compartment for cable duct with door inside for cable area cover
- Internal door is accessory of Profi+

VT33814



Height	Type Designation	Article No.	Units per package
1600	XVTL-SF-16-200	173666	1
1800	XVTL-SF-18-200	173667	1
2000	XVTL-SF-20-200	173668	1

# Add-On Distribution Boards

## XVTL-ICD Set for splitted composition (nur für Breite 850 mm)

- Only for Distribution Boards with width 850 mm
- For all depths of Distribution Boards
- With 200 mm compartment for cable duct with door inside for cable area cover
- With door inside for cable area cover

VT104814

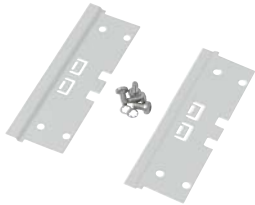


Height	Type Designation	Article No.	Units per package
1400	XVTL-ICD-14	174314	1
1600	XVTL-ICD-16	174315	1
1800	XVTL-ICD-18	174316	1
2000	XVTL-ICD-20	174317	1

## XVTL-BP-W Profi+ Frame Cover horizontal (for height 1600 and 1800 mm)

- Front part - above/below

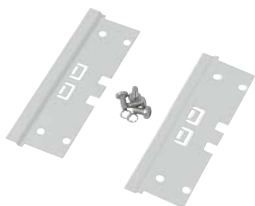
VT36514



Width	Type Designation	Article No.	Units per package
200	XVTL-BP-W-2/16/18-TB	173669	2
400	XVTL-BP-W-4/16/18-TB	173670	2
600	XVTL-BP-W-6/16/18-TB	173671	2
800	XVTL-BP-W-8/16/18-TB	173672	2
1000	XVTL-BP-W-10/16/18-TB	173673	2

## XVTL-BP-W Profi+ Frame Cover horizontal (for height 2000 mm)

VT36514



Width	Type Designation	Article No.	Units per package
200	XVTL-BP-W-2/20-TB	173674	2
400	XVTL-BP-W-4/20-TB	173675	2
600	XVTL-BP-W-6/20-TB	173676	2
800	XVTL-BP-W-8/20-TB	173677	2
1000	XVTL-BP-W-10/20-TB	173678	2

# Add-On Distribution Boards

<b>KSX Connection System without drilling up to 2500 A</b>					
	Description	Type Designation	Article No.	Units per package	
	Busbar Support outer 3+4-pole	KSX-34P-EXT	138268	2	
	Busbar Support central 3+4-pole	KSX-34P-MID	138269	1	
	Busbar Support central 3-pole	KSX-3P-MID	138360	1	

<b>CU-BAR Busbar</b>					
	Description	Type Designation	Article No.	Units per package	
	Double-T-Profile tin-plated up to 1250 A <sup>1)</sup> length 2,4 m	CU-BAR-500/T	107166	1	
	Double-T-Profile tin-plated up to 1600 A <sup>1)</sup> length 2,4 m	CU-BAR-720/T	107167	1	
Triple-T-Profile tin-plated up to 2500 A <sup>1)</sup> length 2,4 m	CU-BAR-1140/T	107168	1		

<sup>1)</sup> At temperature of 87,5°C and an ambient temperature of 35°C, please refer to the current load diagram in the Technical Data section for further values.

<b>AKP Profile Terminal</b> for the connection to the Double-T or Triple-T-Profile					
Max. rated operating current (A)	Description	Type Designation	Article No.	Units per package	
1600	Terminal space 41 x 20-42 mm for Double-T-Profile	AKP800	107198	3	
1600	Terminal space 51 x 5-28 mm for Double-T-Profile	AKP750	138364	3	
1600	Terminal space 51 x 20-42 mm for Double-T-Profile	AKP1000	107199	3	
1600	Terminal space 64 x 5-28 mm for Double-T-Profile	AKP900	138365	3	
2000	Terminal space 64 x 20-42 mm for Double-T-Profile	AKP1200	138366	3	
2500	Terminal space 81 x 20-42 mm for Double-T-Profile	AKP1600	138367	3	
3000	Terminal space 101 x 20-42 mm for Double-T-Profile	AKP2000	138368	3	
3200	Terminal space 101 x 23-45 mm for Triple-T-Profile	AKP3600	138369	1	

# Add-On Distribution Boards

## AKU Universal Conductor Terminal for busbars 10 mm

VT13806



Max. rated operating current I <sub>e</sub> (A)	Description <sup>1)</sup>	Type Designation	Article No.	Units per package
180	1,5 - 16mm <sup>2</sup> , AWG 14 - AWG 6. ⊗ directly terminated, ○ ⊙ ▨ 8x6x0.5	AKU16/10	107191	100
270	4 - 35mm <sup>2</sup> , AWG 10 - AWG 2. ⊗ directly terminated, ○ ⊙ ▨ 3x9x0.8 or 6x9x0.8	AKU35/10	107192	50
400	16 - 70mm <sup>2</sup> , AWG 4 - AWG 2/0. ⊗ directly terminated, ○ ⊙ ▨ 2x(3x9x0.8) or 6x9x0.8	AKU70/10	107193	25
440	16 - 120mm <sup>2</sup> , AWG 4 - MCM 250. ⊗ directly terminated, ○ ⊙ ▨ 4x16x0.8 or 6x16x0.8 or 10x16x0.8	AKU120/10	107194	25

- <sup>1)</sup>
- Round conductor, single-wired
  - ⊗ Round conductor, fine-wired with expertly pressed wire end ferrule
  - ⊙ Round conductor, multi-wired
  - ◊ Sector conductor, single-wired
  - ◊ Sector conductor, multi-wired
  - ▨ Cu band
  - Cu bar

# Add-On Distribution Boards

## AK(S) Base Terminal for Double-T or Triple-T-Profile

VT13306



Max. rated operating current I <sub>e</sub> (A)	Description <sup>1)</sup>	Type Designation	Article No.	Units per package
500	95 - 185mm <sup>2</sup> , AWG 3/0 - MCM 350. ⊗ directly terminated, ⊙ ◇	AKS185	107195	6
600	150 - 300mm <sup>2</sup> , MCM 300 - MCM 600. ⊗ directly terminated, ⊙ ◇	AKS300	107196	6
630	95 - 300mm <sup>2</sup> , AWG 3/0 - MCM 600. ⊗ directly terminated, ⊙ ◇	AK300	138363	3

- <sup>1)</sup>
- Round conductor, single-wired
  - ⊗ Round conductor, fine-wired with expertly pressed wire end ferrule
  - ⊙ Round conductor, multi-wired
  - ◇ Sector conductor, single-wired
  - ◇ Sector conductor, multi-wired
  - ▬ Cu band
  - Cu bar

## AKU-M Stud-type Terminal

- For connection with cable lug on busbars 10 mm, Double-T and Triple-T-Profile

wa\_vt73513



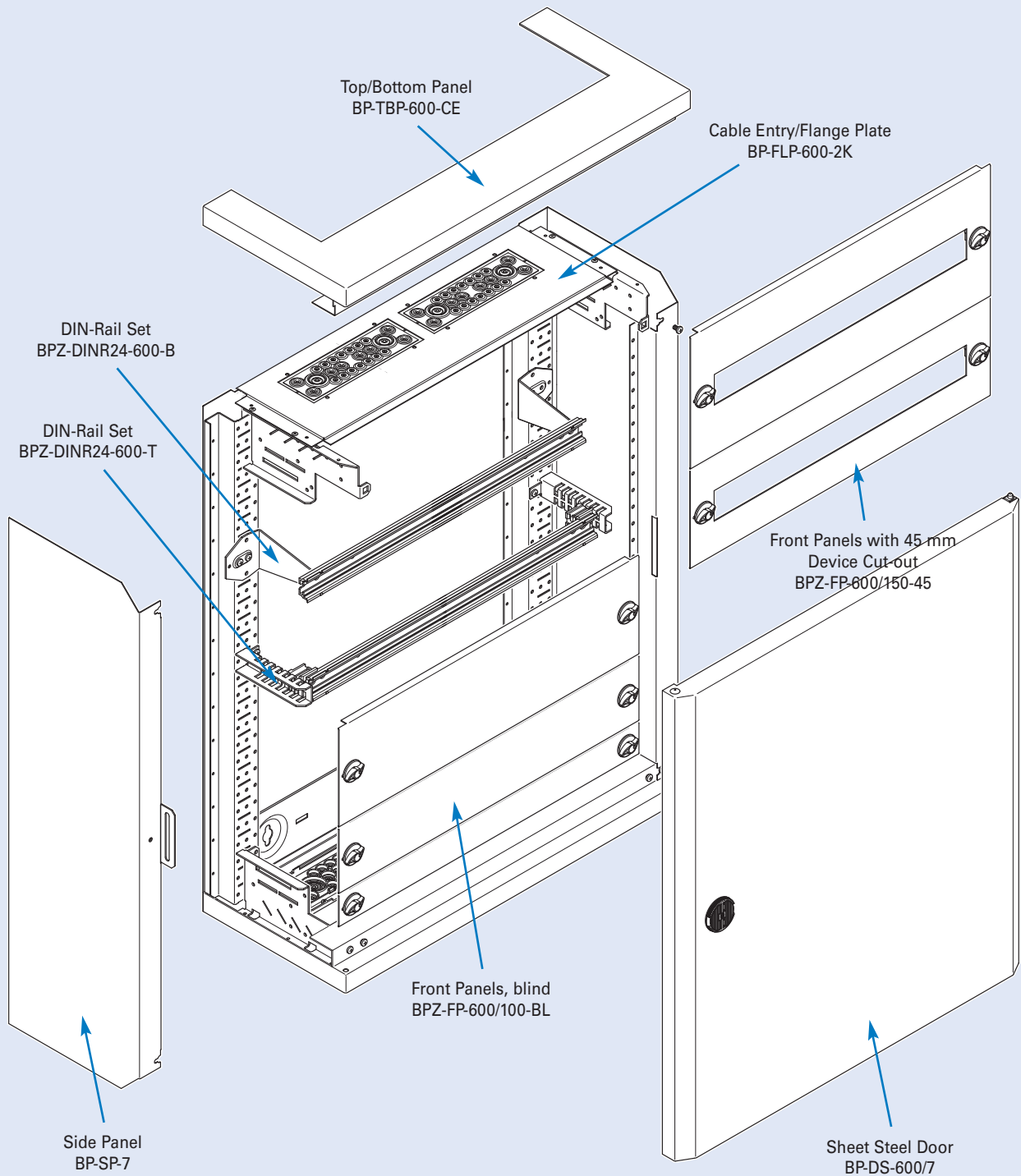
Max. rated operating current I <sub>e</sub> (A)	Description	Type Designation	Article No.	Units per package
490	for cable lug M8	AKU-M8/10	138362	20
630	for cable lug M10	AKU-M10/10	138361	6



# Distribution Boards

## Wall-Mounted Surface Mounting Distribution Boards BP-O...(-C)

### System Overview



xEnergy  
Basic

# Distribution Boards

## Surface-Mounting Installation Distribution Boards, BP-O...(-C) (EW)

- Modular design
- Grounded metal covers
- Flat-pack or fully assembled
- Add-on options
- Generous wiring space
- Variable interior layout with/without removable mounting frame
- Structured, multilayer construction for easy accessible installation: base frame - DIN-rails ... - enclosure
- Reversible door hinging
- Type BP-O...-EW is equipped with a fireproof door (metal hinges and lock)

### Technical Data

#### Electrical

Design according to	IEC/EN 61439-1/3, IEC/EN 62208
Protection class	I
Degree of protection	IP30
Rated voltage	415 VAC / 50Hz
Rated current	630 A
depending on the busbar support system	

#### Earth connections

Base frame	M5 earthing point screw
Side wall, top/bottom panel	M5 tapping screw
Door	M6 welding bolt

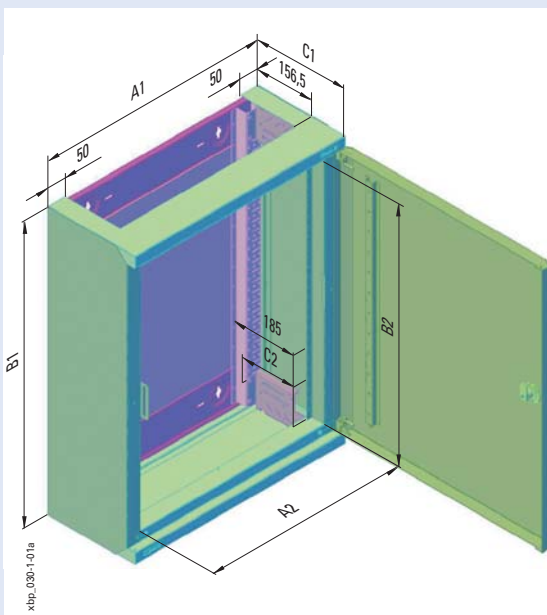
Max. power loss (W) for all devices in the dist. board at 35° C ambient temperature:

Height \ Width (mm)	400	600	800	1000	1200
460	74	101	129	-	-
760	104	137	156	-	-
1060	133	147	203	264	-
1260	118	170	232	302	374
1560	144	207	281	364	429

#### Mechanical

Material	Sheet steel
Paint coat	Phosphatised and polyester-powder-coated
Colour	Grey RAL 7035, white RAL 9016
Door	Doors with covered hinges, can be unhinged at an angle of more than 90° Opening angle: 167° (ca. 100° in case of several distribution boards mounted next to each other)
Door lock	Hinged handle with rotary lock; cylinder lock; 3-point lock with clip down handle
Cable entry	Different covers permit cable entry from below and/or above
Shock resistant	IK08

### Dimensions (mm)



Type	Outside dimensions				Inside dimensions (front plate)			Number of locks <sup>2)</sup>
	Width A1	Height B1	Depth C1 Total <sup>1)</sup>	Without door	Width A2	Height B2	Depth C2	
BP-...-400/4	400	460	262,5	249	320	350	153	1
BP-...-400/7	400	760	262,5	249	320	650	153	1
BP-...-400/10	400	1060	262,5	249	320	950	153	1
BP-...-400/12	400	1260	262,5	249	320	1150	153	1
BP-...-400/15	400	1560	262,5	249	320	1450	153	1
BP-...-600/4	600	460	262,5	249	520	350	153	1
BP-...-600/7	600	760	262,5	249	520	650	153	1
BP-...-600/10	600	1060	262,5	249	520	950	153	1
BP-...-600/12	600	1260	262,5	249	520	1150	153	1
BP-...-600/15	600	1560	262,5	249	520	1450	153	1
BP-...-800/4	800	460	262,5	249	720	350	153	1
BP-...-800/7	800	760	262,5	249	720	650	153	1
BP-...-800/10	800	1060	262,5	249	720	950	153	1
BP-...-800/12	800	1260	262,5	249	720	1150	153	1
BP-...-800/15	800	1560	262,5	249	720	1450	153	1
BP-...-1000/10	1000	1060	262,5	249	920	950	153	1 <sup>3)</sup>
BP-...-1000/12	1000	1260	262,5	249	920	1150	153	1 <sup>3)</sup>
BP-...-1000/15	1000	1560	262,5	249	920	1450	153	1 <sup>3)</sup>
BP-...-1200/12	1200	1260	262,5	249	1120	1150	153	1 <sup>3)</sup>
BP-...-1200/15	1200	1560	262,5	249	1120	1450	153	1 <sup>3)</sup>

<sup>1)</sup> Door lock +8 mm

<sup>2)</sup> Number of hinge cut-outs for rotary handles. doors with clip down handle also available.

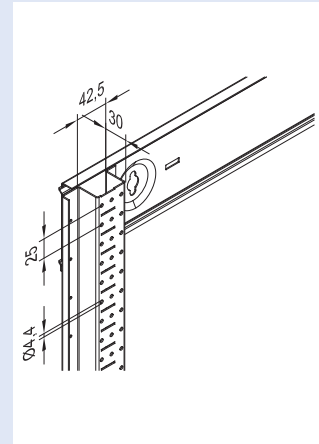
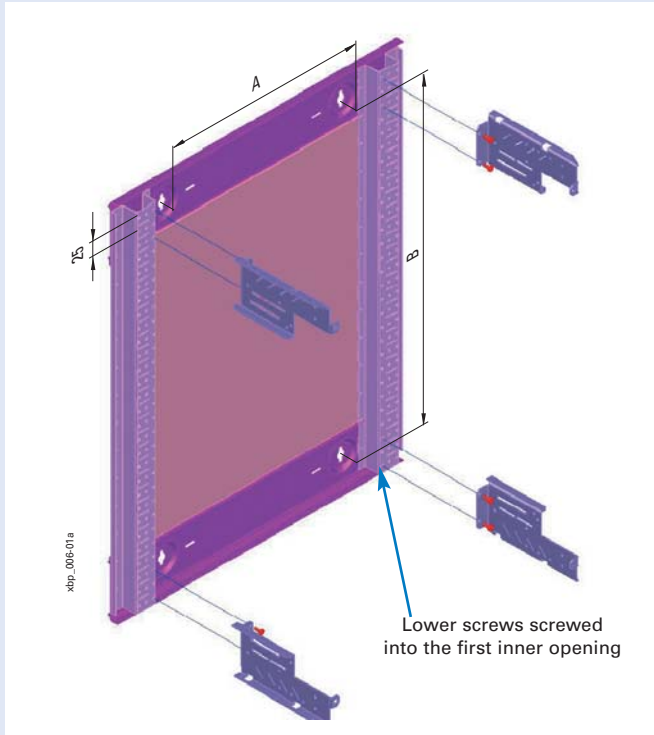
<sup>3)</sup> Number of locks for the right door. Left door contains two rotary handles in all dimensions.

# Distribution Boards

## Surface-mounting distribution boards IP30 - components

### Base frames, BP-MF

- Add-on design
- Symmetrical layout
- Consistent system perforation pattern (25 mm grid)
- Material: sheet steel, zinc-coated  
thickness 1 mm
- Scope of delivery: 1 base frame, 4 towers, fixing material



Width [mm]	A	Height [mm]	B
400	173	460	342,5
600	373	760	642,5
800	573	1060	942,5
1000	773	1260	1142,5
1200	973	1560	1442,5

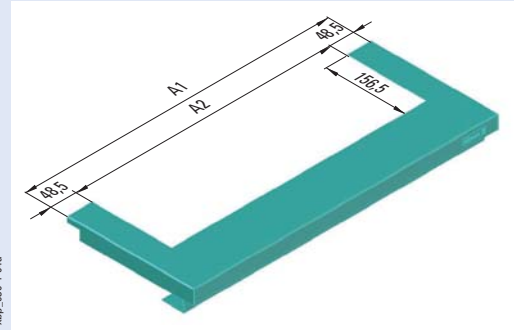
# Distribution Boards

## Top / bottom panels, BP-TBP

- The top/bottom panels are used as covers for the cabinet
- With or without cable entry cutout
- Material: sheet steel, powder-coated, RAL 7035 or RAL 9016 thickness 1 mm
- Scope of delivery: 1 top panel, 1 bottom panel, fixing material

### Dimensions [mm]

Type	Depth	Without cutout		With cutout	
		Outside width	Inside width	Outside width	Inside width
BP-TBP-400	249	A1	A2	A1	A2
BP-TBP-600	249	400	–	400	300
BP-TBP-800	249	600	–	600	500
BP-TBP-1000	249	800	–	800	700
BP-TBP-1200	249	1000	–	1000	900
BP-TBP-1200	249	1200	–	1200	1100



xbp\_030-1-06a

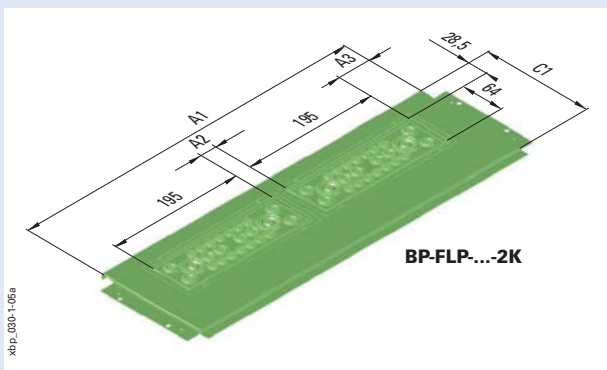
## Cable entry / flange plates, BP-FLP

- Blind plate for closing the cable entry
- Cable entry plate with pass-through flange 2K (pre-fitted)
- Cable entry plate designed for F3A flange
- Mounting into BP-TBP...-CE panels
- Can be used also for floor-standing board IP30
- Material: sheet steel, powder-coated, RAL 7035 thickness 1 mm
- Scope of delivery: 1 cable entry/flange plate, fixing material

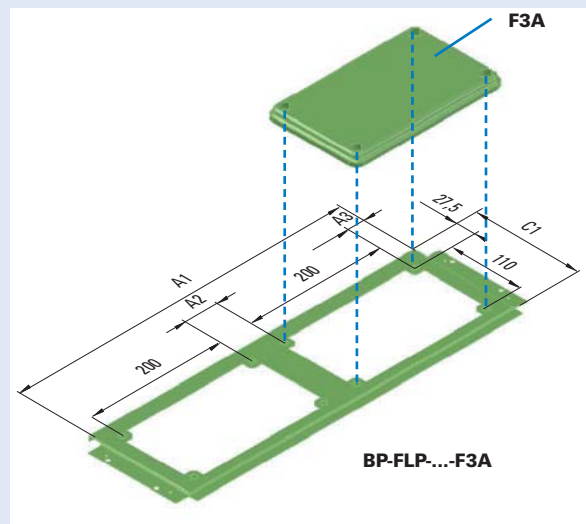
### Dimensions [mm]

Type	A1	A2	A3	C1	Number of flanges
BP-FLP-400-BL	300	–	–	155	–
BP-FLP-400-2K	300	–	51,95	155	1
BP-FLP-600-BL	500	–	–	155	–
BP-FLP-600-2K	500	18	45,45	155	2
BP-FLP-800-BL	700	–	–	155	–
BP-FLP-800-2K	700	18	38,95	155	3
BP-FLP-1000-BL	900	–	–	155	–
BP-FLP-1000-2K	900	18	31,45	155	4
BP-FLP-1200-BL	1100	–	–	155	–
BP-FLP-1200-2K	1100	18	25,95	155	5

Type	A1	A2	A3	C1	Number of openings for F3A flanges
BP-FLP-400-F3A	300	–	44,45	155	1
BP-FLP-600-F3A	500	40	19,45	155	2
BP-FLP-800-F3A	700	22	12,45	155	3
BP-FLP-1000-F3A	900	11,33	12,45	155	4
BP-FLP-1200-F3A	1100	6	12,45	155	5



xbp\_030-1-06a



xbp\_030-1-06a

# Distribution Boards

## Insertion Flanges

- Scope of delivery: 1 Flange

### F3A

VT17407



#### F3A-0

Blind flange

VT17507



#### F3A-4

4xM16, 6xM25/16, 8xM32/20

VT17307



#### F3A-8

2xM20, 8xM25/16, 4xM32/20,  
1xM50/32

VT17607



#### F3A-12

2xM16, 12xM20, 2xM40/25, 2xM50/32

VT17707



#### F3A-34

24xM16, 13xM20

VT17807



#### F3A-KTD

2 grommets for cables  
up to Ø 70 mm

VT17207

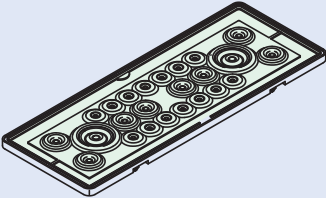


#### F3A-D

Cellular rubber pass-through flange, 40 cables Ø 10-13 mm,  
4 cables Ø 17-21 mm, 2 cables Ø 27-30 mm

### Pass-through Flange, ZSD-2K/FLA

Mas\_ZSD\_FL A



14x Ø 11 mm  
8x Ø 15 mm  
2x Ø 28 mm

### Shift-back Flange, PB-FLP-...-VS

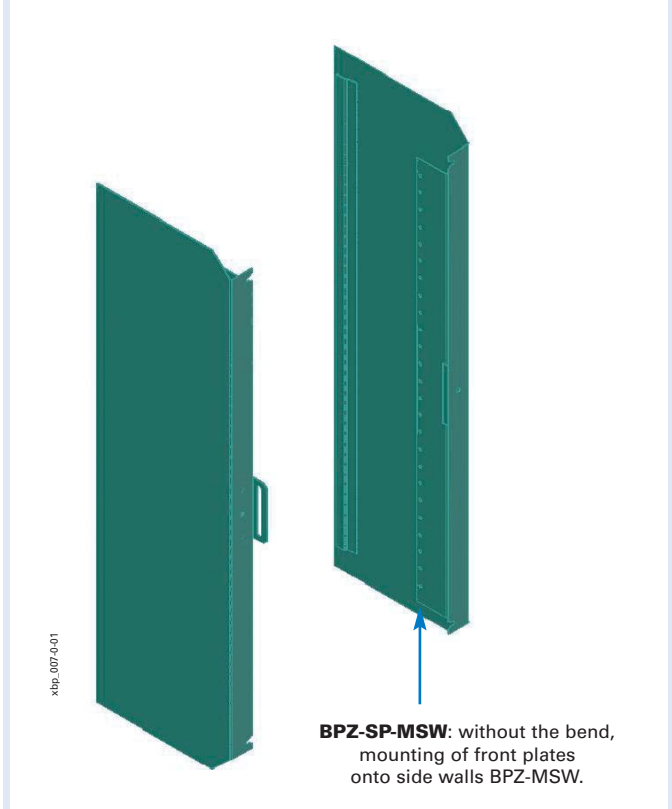
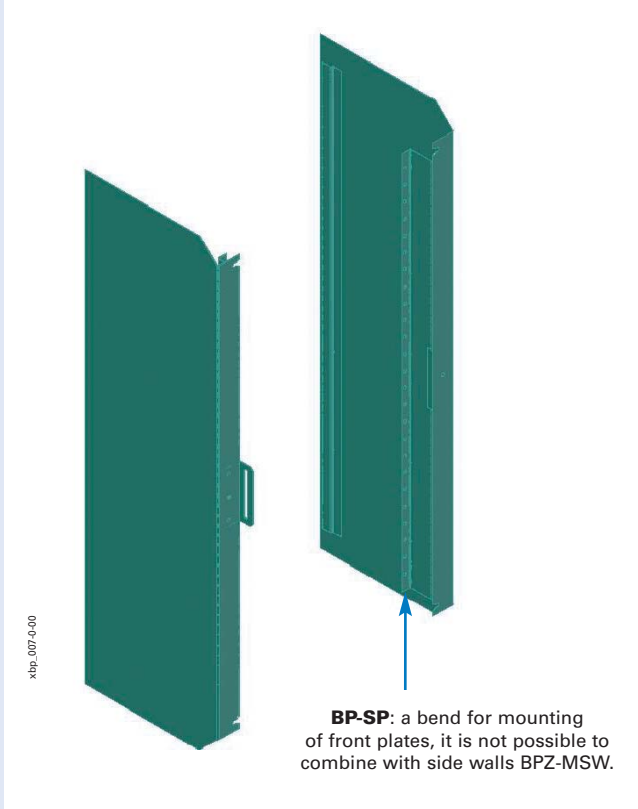
VT19208



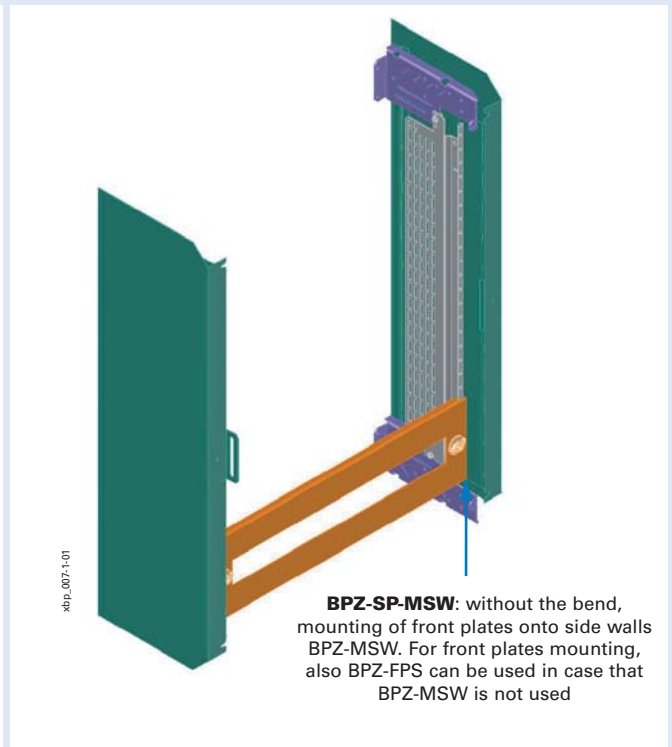
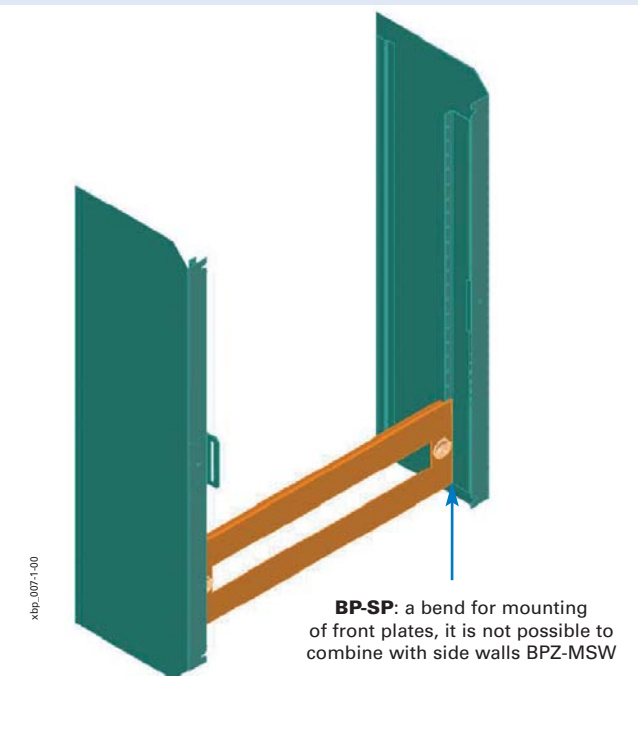
# Distribution Boards

## Side panels BP-SP, BPZ-SP-MSW

- Side panels are used as part of cover for the cabinet
- 2 variants (for mounting with / without BPZ-MSW)
- Material: sheet steel, powder-coated, RAL 7035 or RAL 9016 thickness 1 mm
- Scope of delivery: 2 side panels



## Mounting of front plates BPZ-FP into side panels BP-SP



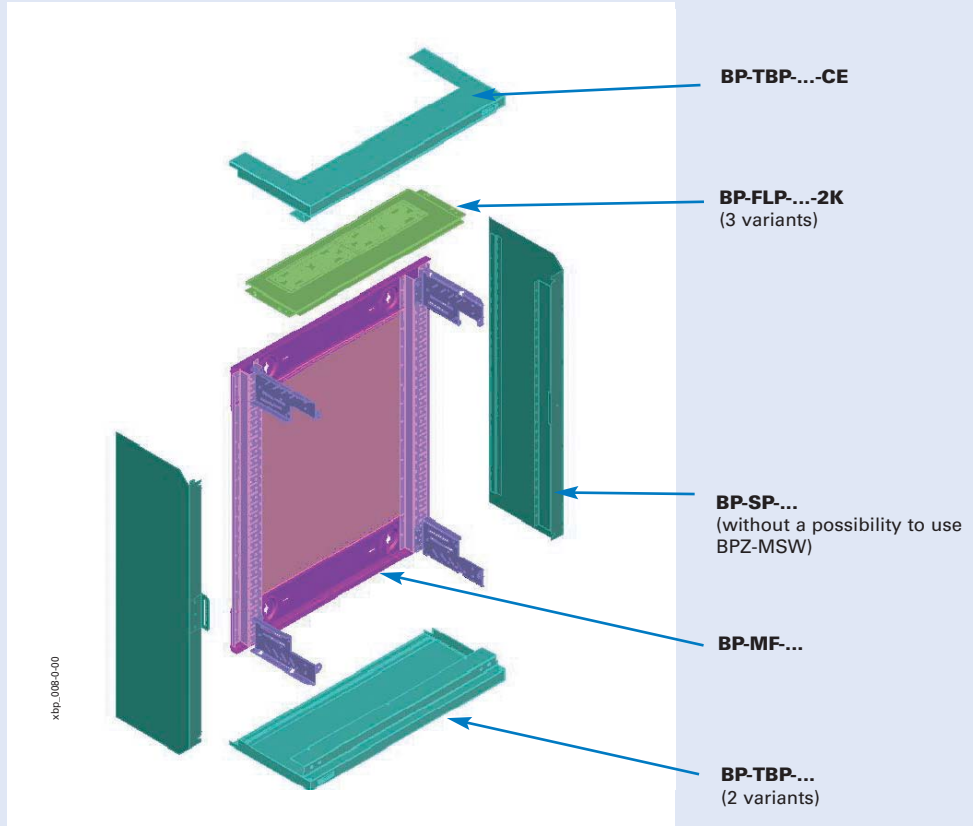
xEnergy  
Basic

# Distribution Boards

## Assembling of surface-mounted board IP30

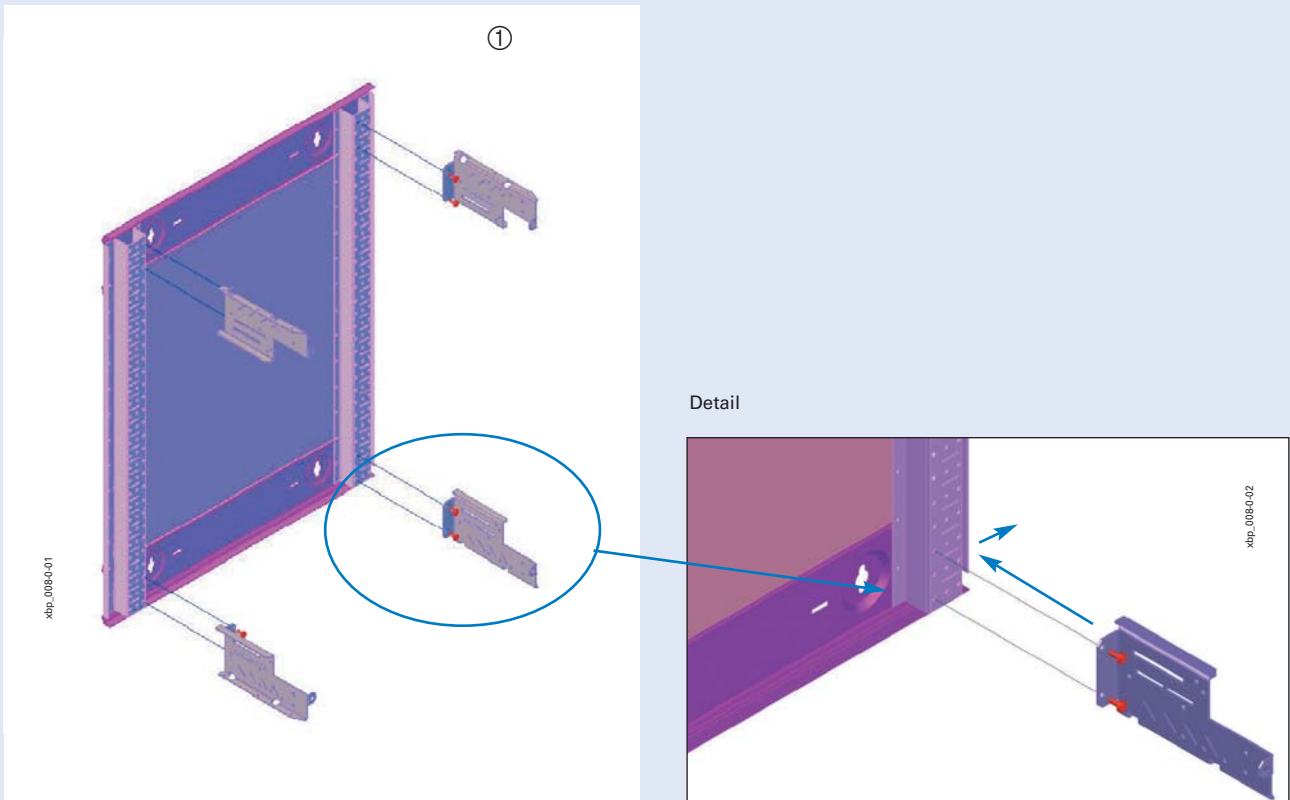
Board without a possibility of installation of mounting frame BPZ-MSW

Without side wall BPZ-MSW



### Mounting process:

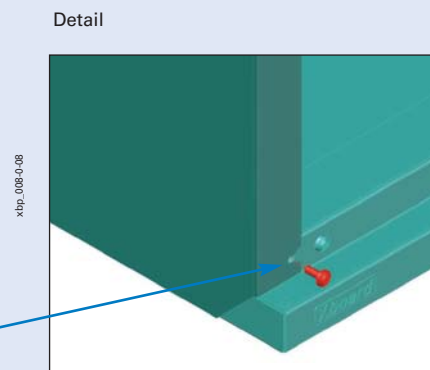
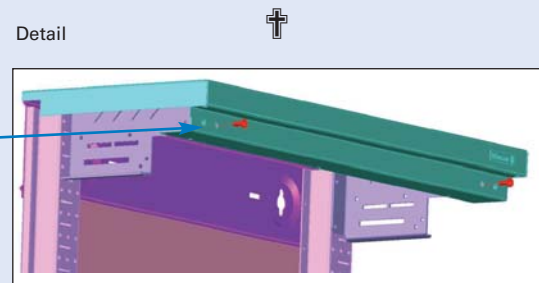
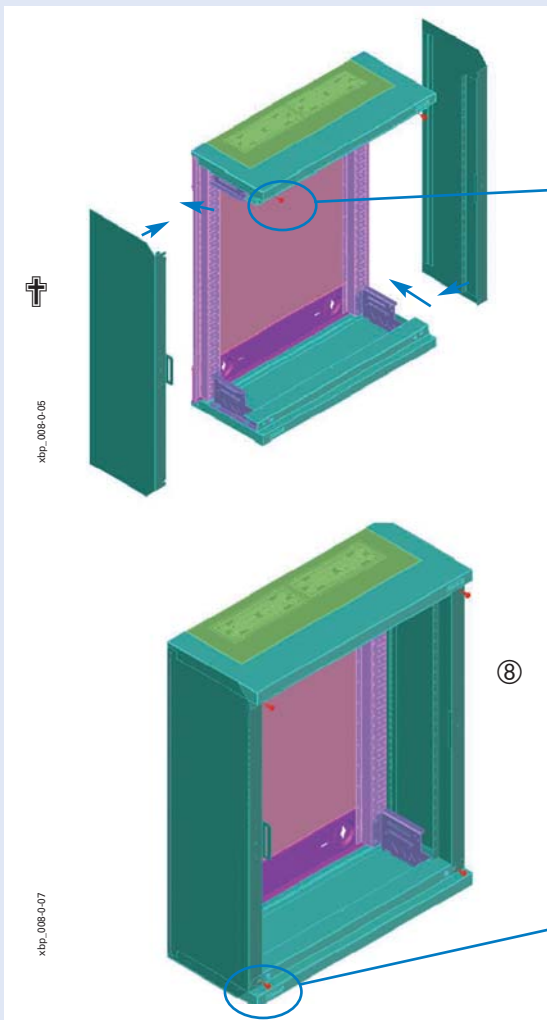
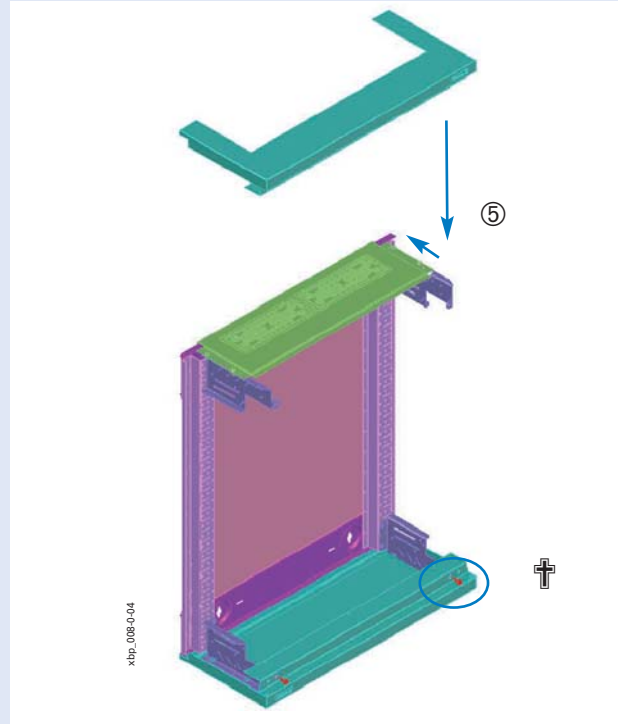
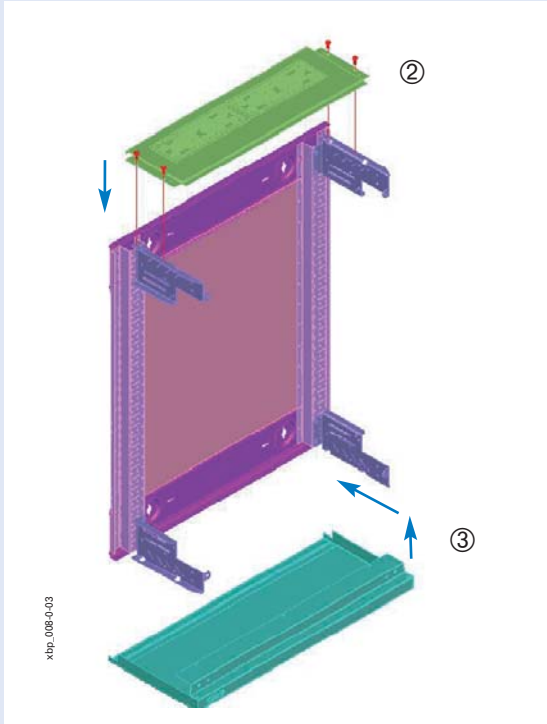
1. Mounting of towers BPZ-CTS-L onto base frame BP-MF. Towers BPZ-CTS-L are in a scope of delivery of the frame BP-MF.



xEnergy  
Basic

# Distribution Boards

2. Assembly of cable entry plates BP-FLP onto towers BPZ-CTS-L
3. Assembly of top / bottom panel without cutout (if used)
4. Fixing of top / bottom panel without cutout into towers BPZ-CTS-L by means of screws
5. Addition of cable entry plate with top / bottom panel
6. Fixing of top / bottom panel with cutout into towers BPZ-CTS-L by means of screws
7. Assembly of side panels BP-SP
8. Fixing of side panels BP-SP



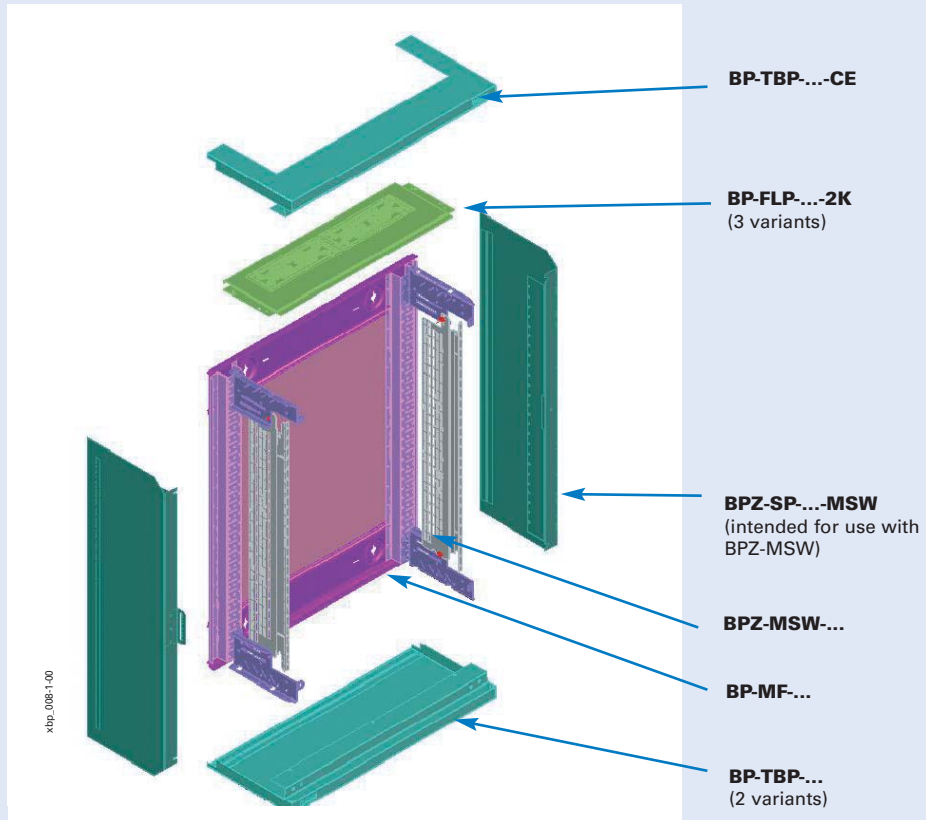


# Distribution Boards

## Assembling of surface-mounted board IP30

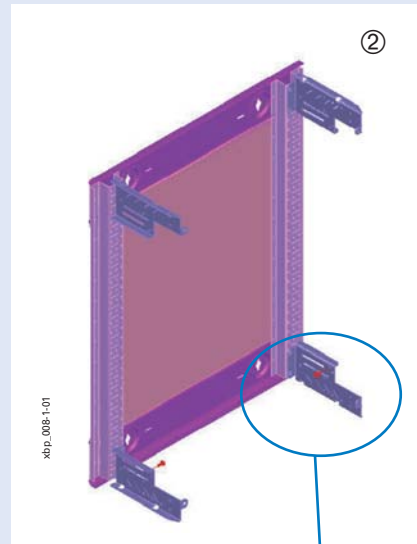
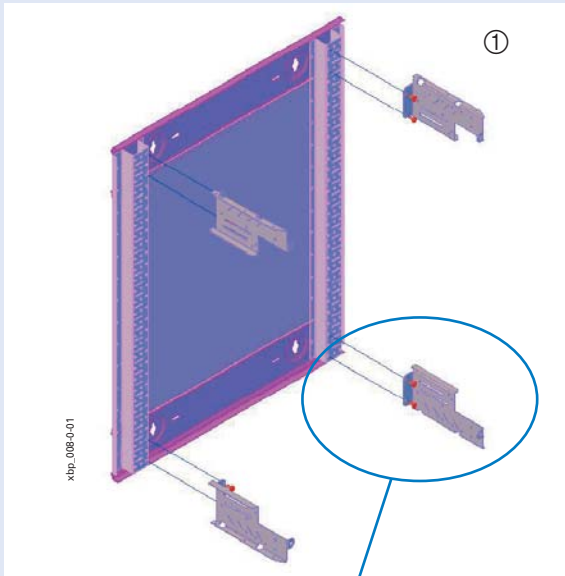
Board for installation of mounting frame BPZ-MSW

With side wall BPZ-MSW

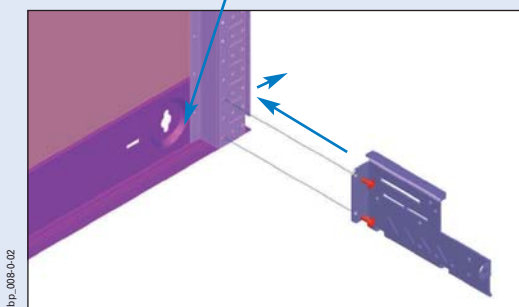


### Mounting process:

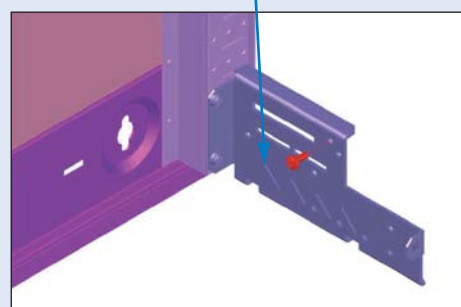
1. Mounting of towers BPZ-CTS-L onto base frame BP-MF. Towers BPZ-CTS-L are in a scope of delivery of the frame BP-MF.
2. Pre-screwing of a screw which creates bottom hitch for frame BPZ-MSW.



Detail



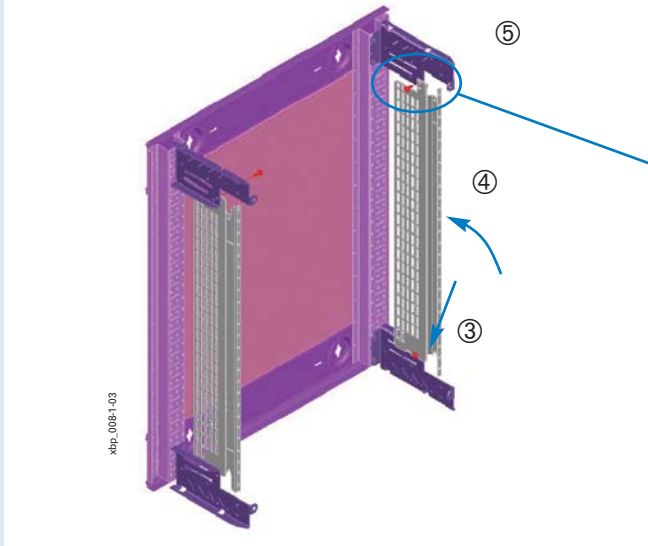
Detail



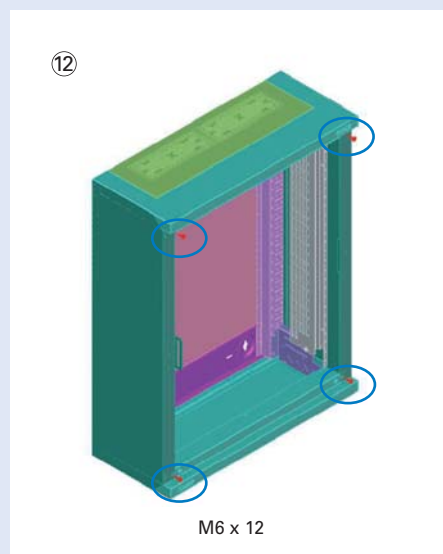
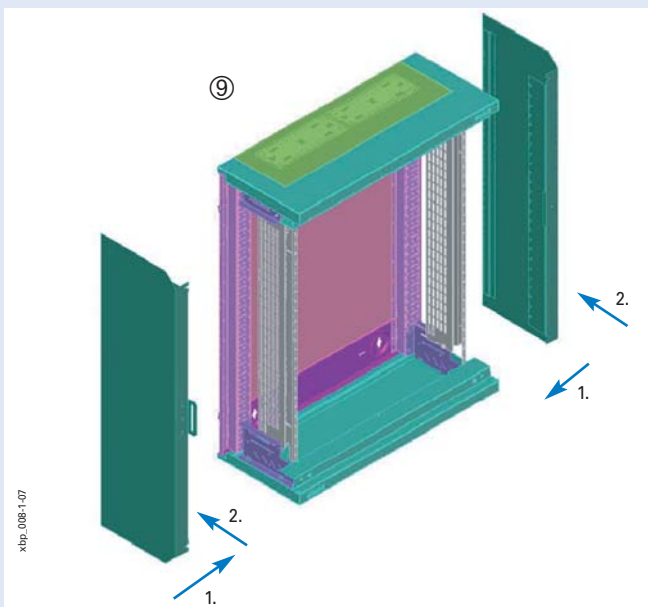
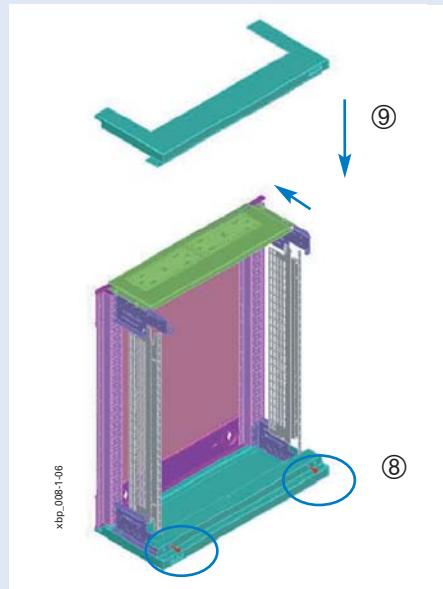
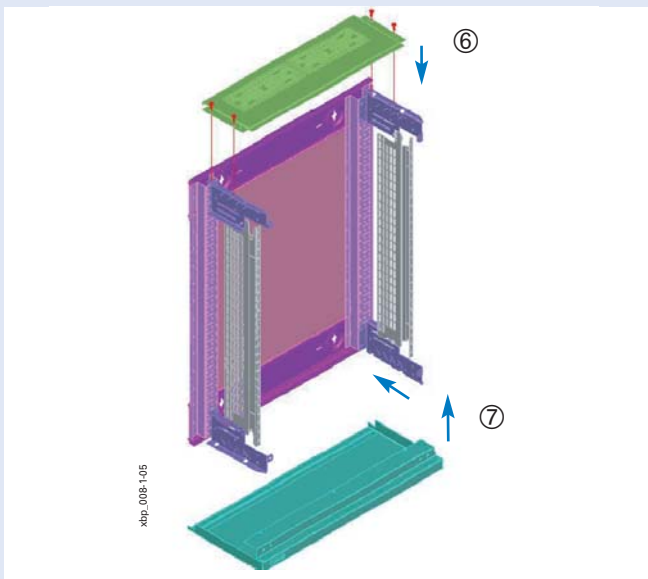
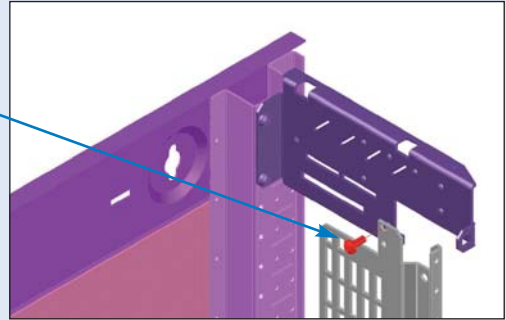
# Distribution Boards

3. Placing of the frame from side walls BPZ-MSW on bottom hitch
4. Tipping of the side walls BPZ-MSW to correct position
5. Fixing of the frame with top hitch screw
6. Assembly of cable entry plates BP-FLP onto towers BPZ-CTS-L
7. Assembly of top / bottom panel without cutout (if used)
8. Fixing of top / bottom panel without cutout into towers BPZ-CTS-L by means of screws

9. Addition of cable entry plate with top / bottom panel
10. Fixing of top / bottom panel with cutout into towers BPZ-CTS-L by means of screws
11. Assembly of side panels BPZ-SP-MSW
12. Fixing of side panels BPZ-SP-MSW



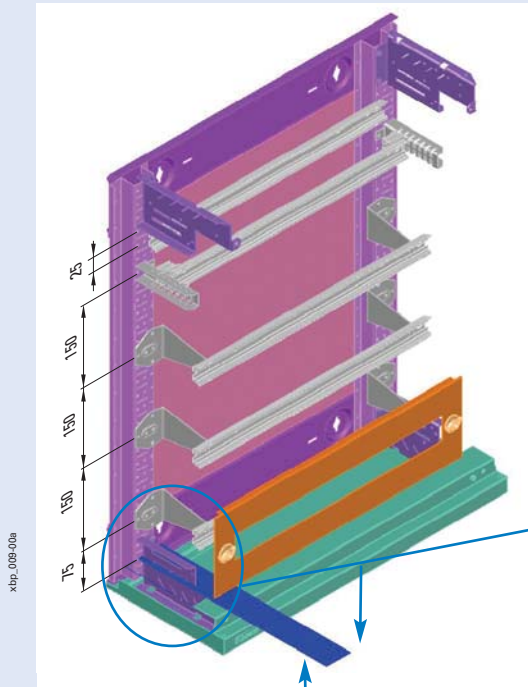
Detail



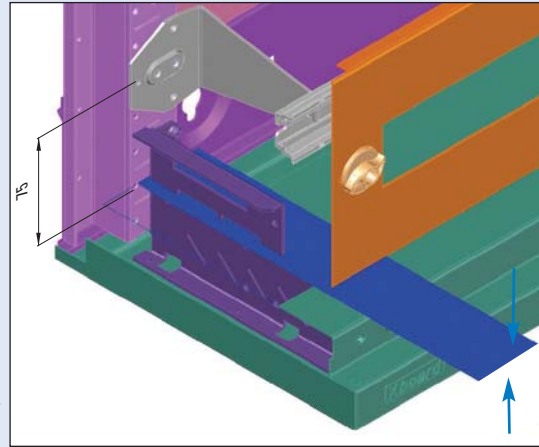
# Distribution Boards

## Zero position for mounting of front plates

- Defines lower edge of the first bottom front plate - first step of assembly
- For standard front plate height 150 mm, the center of the first bottom device rail is located 75 mm above the zero position



Detail

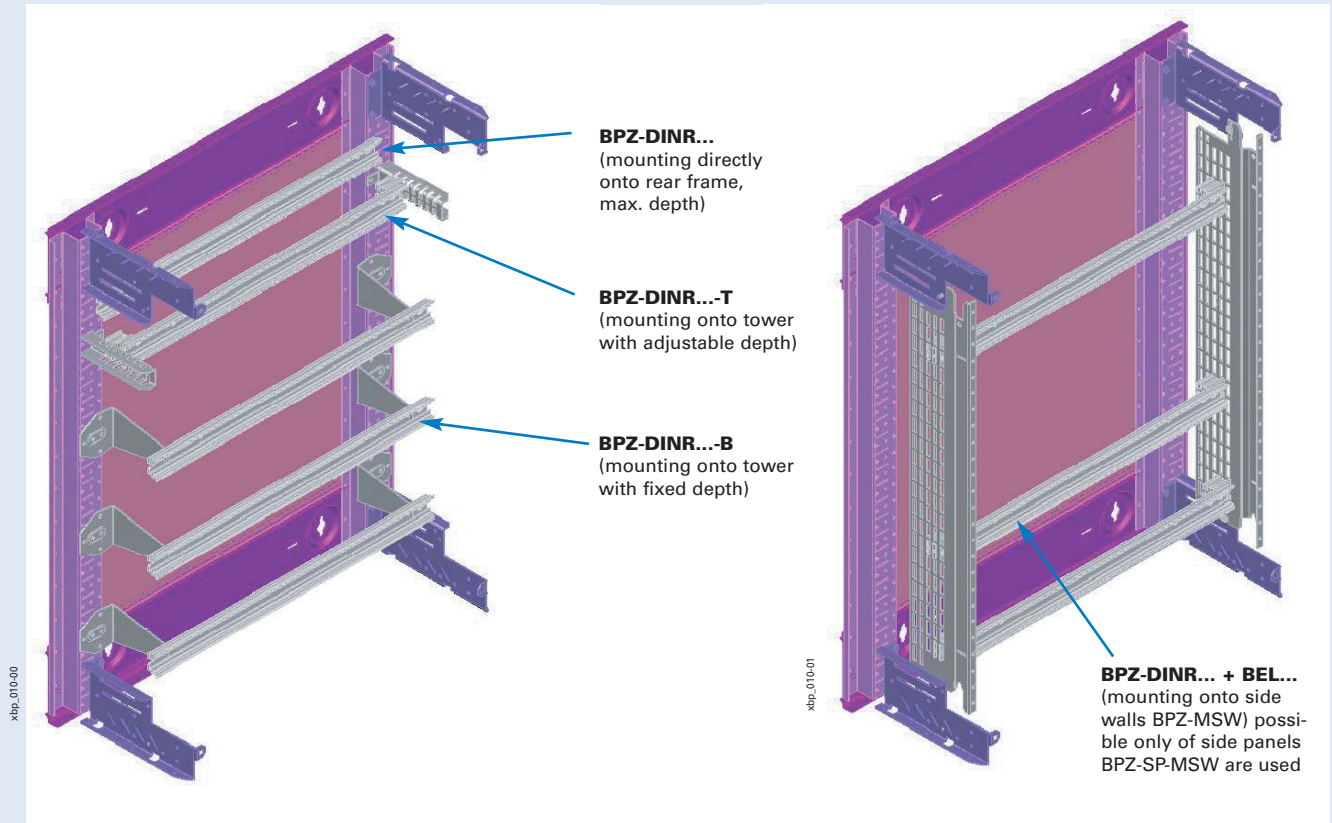


Zero position for mounting of device rails and front plates  
(the second opening from the bottom)  
Defines lower edge of bottom front plate

## Mounting of device rails

### I. Rear mounting onto base frame

### II. Mounting onto side walls BPZ-MSW



xEnergy  
Basic

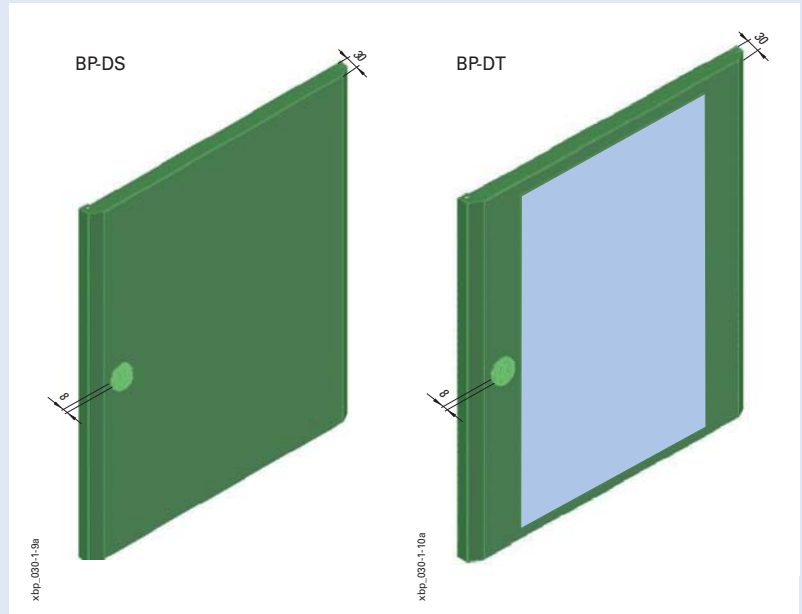
# Distribution Boards

## Sheet steel doors, BP-DS

- Front-mounted
- Quick mounting and removing of the door
- Right or left hinged
- Opening angle 167°
- 1-point lock through rotary lock, 3-point lock with clip down handle
- Material: sheet steel, powder-coated, RAL 7035 thickness 1 mm
- Scope of delivery: 1 door, set for earth connection

## Transparent doors (sheet steel), BP-DT

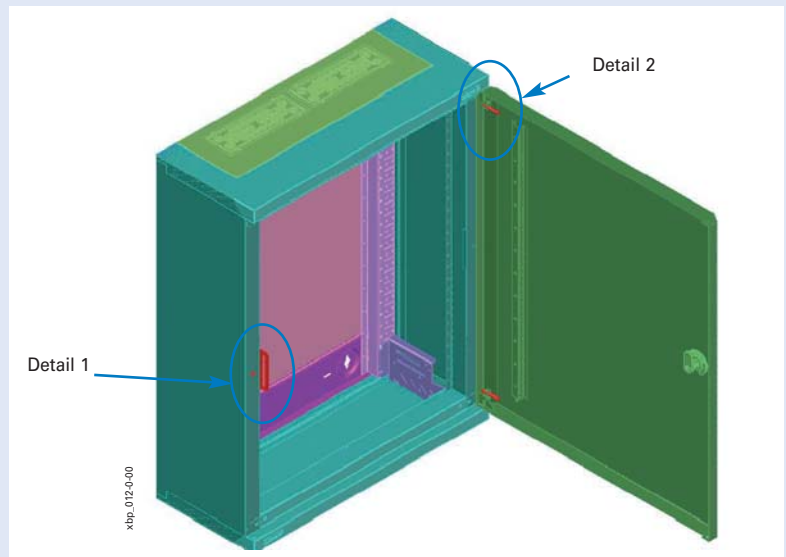
- Material: 2 mm of plexiglas



## Mounting of door BP-DS

### Mounting process:

1. Mounting of lug for lock rod on the respective side (in scope of delivery of side panels)
2. Inserting of door at the opening angle about 90°
3. Inserting of hinge pins
4. Fixing of the pins in plastic bracket



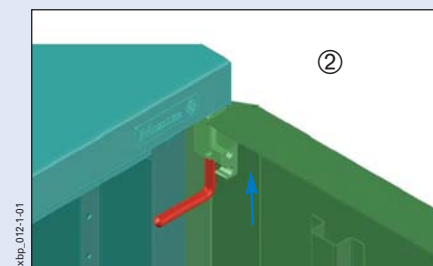
### Detail 1



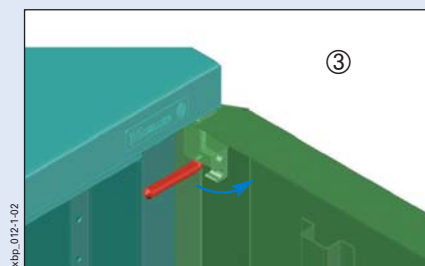
①



### Detail 2



②



③



④

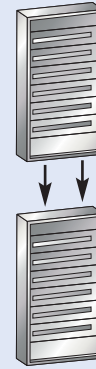
# Distribution Boards

## Horizontal/middle add-on connection element, BP-MFL

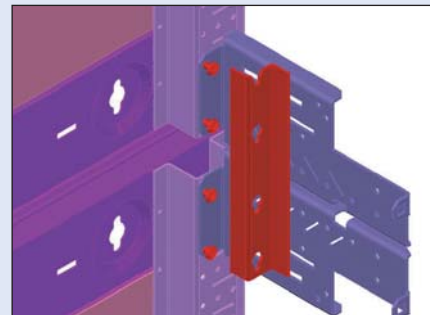
- For mounting distribution boards one on top of the other
- For surface mounting boards IP30
- Possible to combine with BP-MSL for cross combination of boards
- Material: sheet steel, powder-coated, RAL 7035
- Scope of delivery: 1 horizontal/middle add-on connection element, 2 mounting elements, fixing material

### Mounting process:

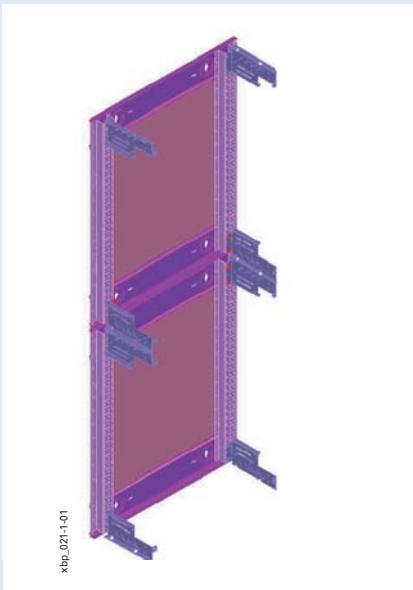
- For a pair of boards, only one set of top / bottom panels is used
1. Placing of base frames BP-MF to correct position
  2. Remove of screws of towers BPZ-CTS-L at sides near to boards connection
  3. Put of mounting elements on the loosened screws
  4. Tightening of fixing screws
  5. Assembly of connection element
  6. Fixing of connection element
  7. Mounting of top and bottom panels BP-TBP
  8. Mounting of side walls BP-SP, BPZ-SP-MSW
  9. Mounting of doors BP-DS



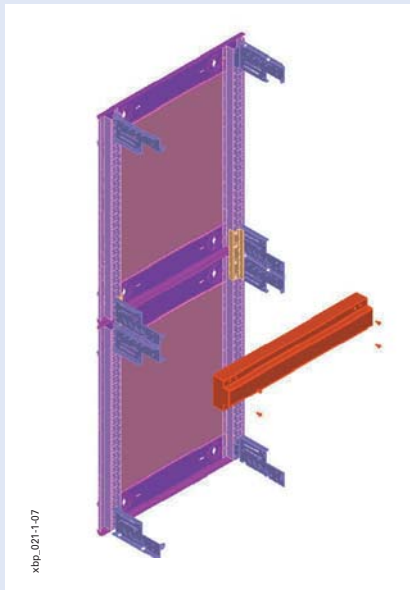
Detail



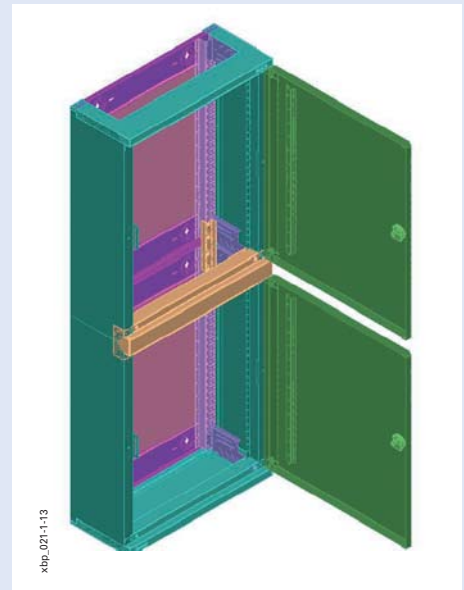
xbp\_021-1-04



xbp\_021-1-01



xbp\_021-1-07

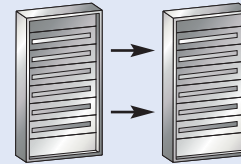


xbp\_021-1-13

# Distribution Boards

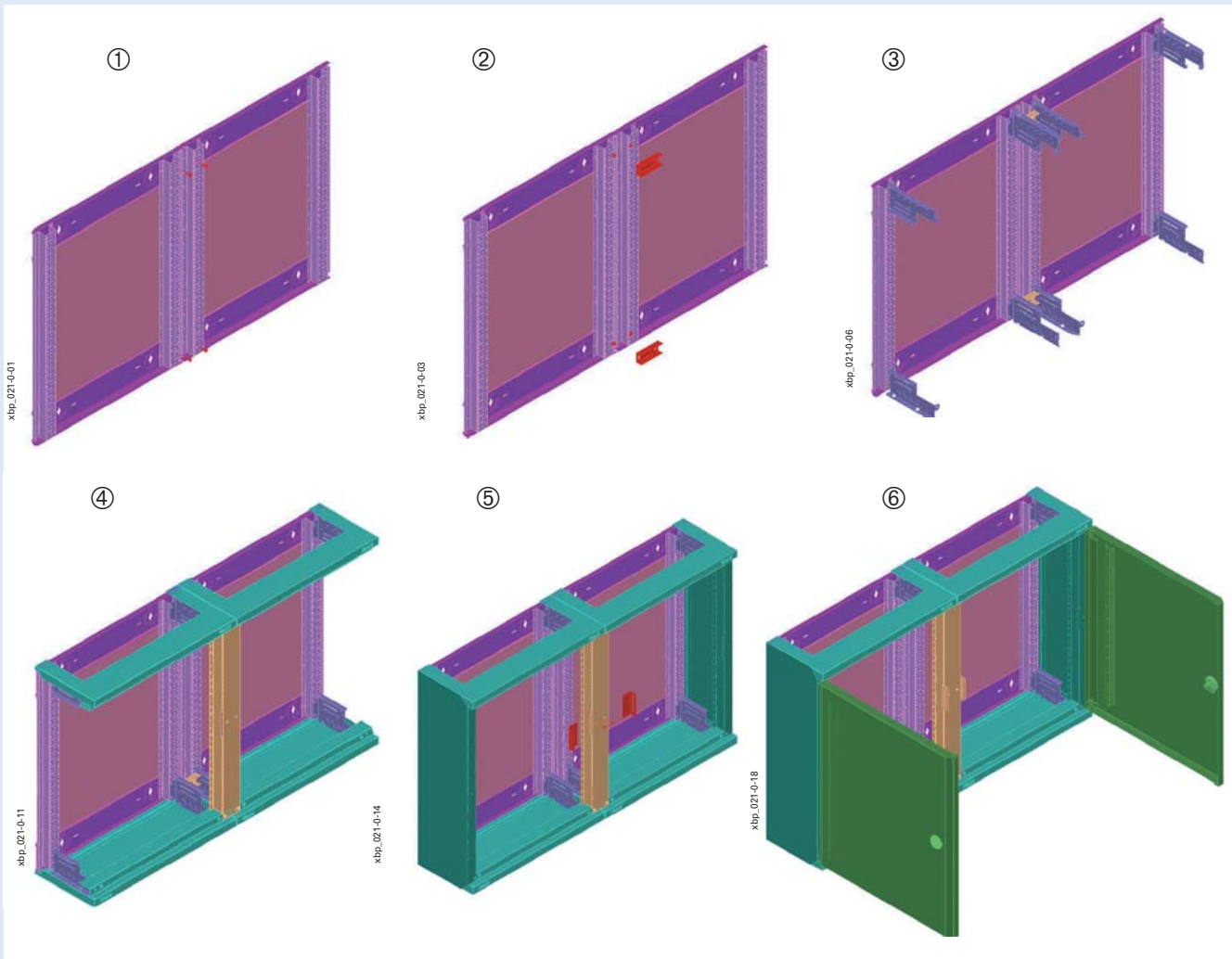
## Vertical/middle add-on connection element, BP-MSL

- For mounting distribution boards one next to the other (in parallel)
- Possible to combine with BP-MFL for cross combination of boards
- Material: sheet steel, powder-coated, RAL 7035
- Scope of delivery: 1 vertical/middle add-on connection element, 2 mounting elements, fixing material



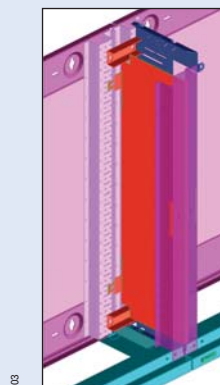
### Mounting process:

- The process is identical for both BP-MSL and BP-MSL-MSW
  - For a pair of boards, only one set of side panels BP-SP, BPZ-SP-MSW is used
1. Placing of base frames BP-MF to correct position, pre-screwing of fixing screws
  2. Put of mounting elements and fixing of screws
  3. Mounting of towers BPZ-CTS-L onto base frame BP-MF. Towers BPZ-CTS-L are in a scope of delivery of the frame BP-MF.
  4. Mounting of top and bottom panels BP-TBP and pre-screwing of add-on connection element screws. Assembly of add-on element
  5. Connected pair of boards. Mounting of lugs for locks rods
  6. Mounting of doors
- To preserve maximum opening angle, both boards have to have opposite direction of door opening



## Separation panel, BPZ-ASB

- Internal vertical separation between two sections
- Fixing on the rear frame
- Painted, grey RAL 7035



xEnergy  
Basic

# Distribution Boards

## Surface-Mounting Installation Distribution Boards BPM-O...

- Excellent stability due to welded construction
- Grounded metal covers
- Generous wiring space
- Variable interior layout with/without removable mounting frame
- Structured, multilayer construction for easy accessible installation
- Reversible door hinging

### Technical Data

#### Electrical

Design according to	IEC/EN 61439-1/3, IEC/EN 62208
Protection class	I
Degree of protection	IP54
Rated voltage	415 VAC / 50Hz
Rated current	630 A
depending on the busbar support system	

#### Earth connections

Base frame	M8 welding bolt
Door	M6 welding bolt

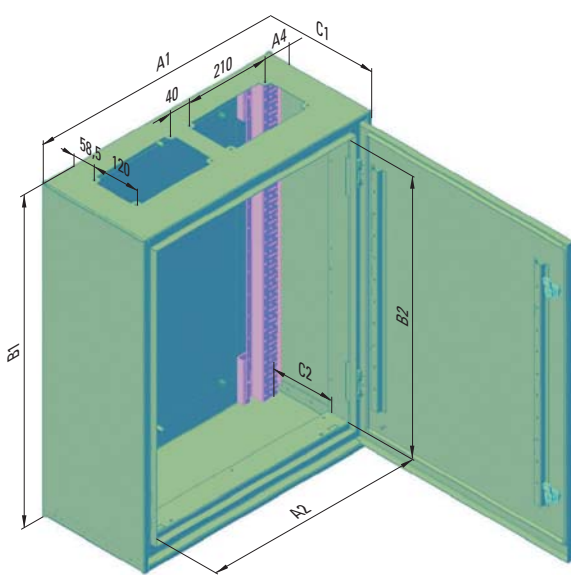
Max. power loss (W) for all devices in the dist. board at 35° C ambient temperature:

Height \ Width (mm)	400	600	800	1000	1200
460	76	105	134	-	-
760	106	140	161	-	-
1060	137	150	209	269	-
1260	121	174	239	308	386
1560	149	212	289	372	435

#### Mechanical

Material	Sheet steel
Paint coat	Phosphatised and polyester-powder-coated
Colour	Grey RAL 7035
Door	Doors with covered hinges, Opening angle: 100°
Door lock	Two-way key bit; 3-point lock with clip down handle
Cable entry	Open cable entry, prepared for F3A-Flanges
Shock resistant	IK08

### Dimensions (mm)



<sup>1)</sup> Number of hinge cut-outs for rotary handles. doors with clip down handle also available.

<sup>2)</sup> Number of locks for the right door. Left door contains two rotary handles in all dimensions.

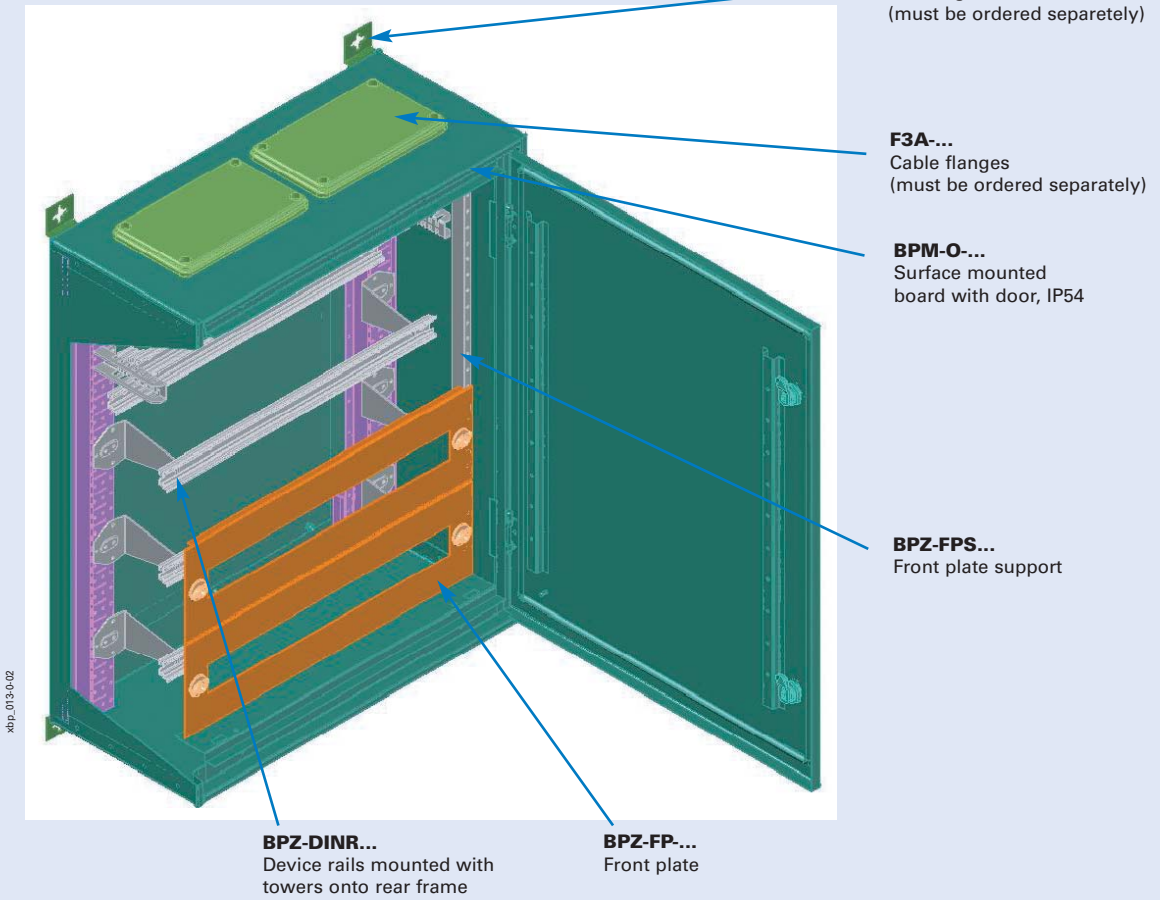
<sup>3)</sup> Number of cut outs for F3A flanges on the top.

Type	Outside dimensions			Inside dimensions (front plate)			Mounting brackets - openings distance		Cable cutout A4	Amount of F3A flanges	Number of locks <sup>1)</sup>
	Width A1	Height B1	Depth C1	Width A2	Height B2	Depth C2	Width A3	Height B3			
BPM-O-400/4	400	460	270	320	350	155	340	500	94	1	1
BPM-O-400/7	400	760	270	320	650	155	340	800	94	1	2
BPM-O-400/10	400	1060	270	320	950	155	340	1100	94	1	3
BPM-O-400/12	400	1260	270	320	1150	155	340	1300	94	1	3
BPM-O-400/15	400	1560	270	320	1450	155	340	1600	94	1	3
BPM-O-600/4	600	460	270	520	350	155	540	500	69	2	1
BPM-O-600/7	600	760	270	520	650	155	540	800	69	2	2
BPM-O-600/10	600	1060	270	520	950	155	540	1100	69	2	3
BPM-O-600/12	600	1260	270	520	1150	155	540	1300	69	2	3
BPM-O-600/15	600	1560	270	520	1450	155	540	1600	69	2	3
BPM-O-800/4	800	460	270	720	350	155	740	500	44	3	1
BPM-O-800/7	800	760	270	720	650	155	740	800	44	3	2
BPM-O-800/10	800	1060	270	720	950	155	740	1100	44	3	3
BPM-O-800/12	800	1260	270	720	1150	155	740	1300	44	3	3
BPM-O-800/15	800	1560	270	720	1450	155	740	1600	44	3	3
BPM-O-1000/10	1000	1060	270	920	950	155	940	1100	144	3	3 <sup>2)</sup>
BPM-O-1000/12	1000	1260	270	920	1150	155	940	1300	144	3	3 <sup>2)</sup>
BPM-O-1000/15	1000	1560	270	920	1450	155	940	1600	144	3	3 <sup>2)</sup>
BPM-O-1200/12	1200	1260	270	1120	1150	155	1140	1300	119	4	3 <sup>2)</sup>
BPM-O-1200/15	1200	1560	270	1120	1450	155	1140	1600	119	4	3 <sup>2)</sup>

# Distribution Boards

## Mounting of device rails onto rear frame (without mounting frame BPZ-MSW)

- Front plates are mounted onto supports BPZ-FPS (not in scope of delivery of BPM-O board)
- Welded construction, side panels of the cover cannot be unmounted

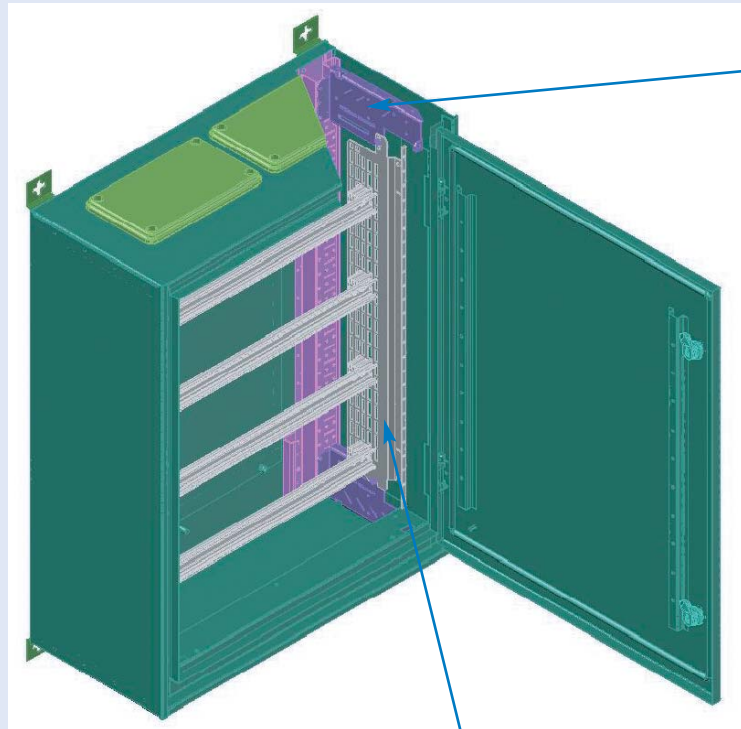




# Distribution Boards

## Mounting of device rails with mounting frame BPZ-MSW

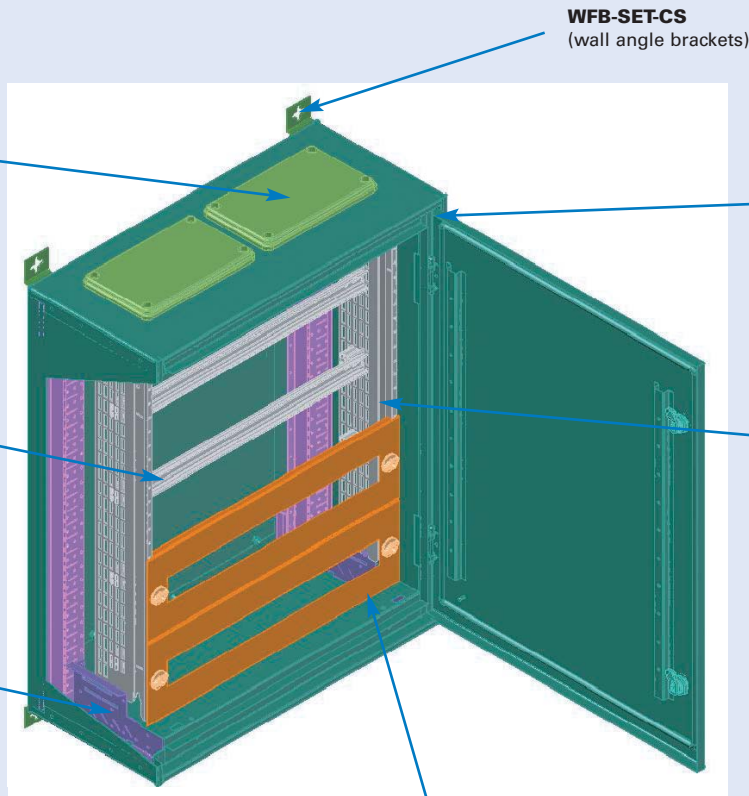
- Mounting onto corner towers BPZ-CTS-L (not in scope of delivery of BPM-O board)
- The mounting process of side walls BPZ-MSW is identical with version IP30
- Front plates are mounted directly onto BPZ-MSW
- Welded construction, side panels of the cover cannot be unmounted



**BPZ-CTS-L**  
Tower for mounting of side wall BPZ-MSW. Can also be used for mounting of N/PE terminals holder.

**BPZ-MSW...**  
Mounting side walls

xbp\_013-0-04



**WFB-SET-CS**  
(wall angle brackets)

**F3A-...**  
Cable flanges

**BPM-O-...**  
Surface mounted board with door, IP54

**BPZ-DINR...**  
Device rails  
... mounted onto side walls

**BPZ-MSW...**  
Mounting side walls

**BPZ-CTS-L**  
Corner tower for mounting of side walls BPZ-MSW. Can also be used for mounting of N/PE terminals holder.

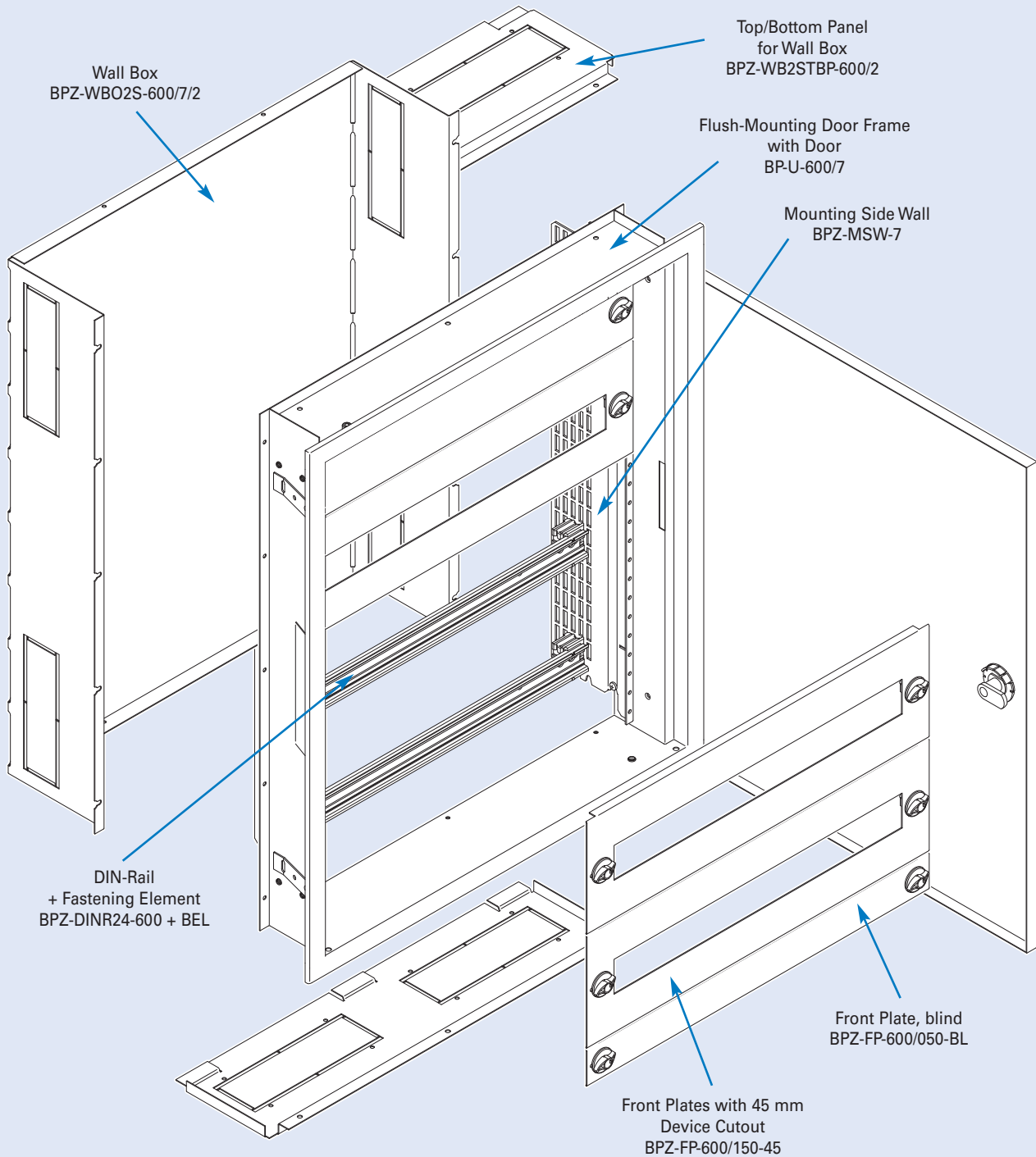
**BPZ-FP-...**  
Front plate

xbp\_013-0-03

# Distribution Boards

## Wall-Mounted Flush-mounting Distribution Boards - 2-Step-System **BP-U...(-C)**

### System Overview



xEnergy  
Basic

# Distribution Boards

## Flush-Mounting Installation Distribution Boards - 2-Step-System BP-U...(-C)

- Grounded metal covers
- Generous wiring space
- Variable interior layout with removable mounting frame
- Structured, multilayer construction for easy accessible installation: mounting sided wall - DIN-rails ... - enclosure
- Reversible door hinging

### Technical Data

#### Electrical

Design according to	IEC/EN 61439-1/3, IEC/EN 62208
Protection class	I
Degree of protection	IP30
Rated voltage	415 VAC / 50Hz
Rated current	630 A
depending on the busbar support system	

#### Earth connections

Base frame	M5 earthing point screw
Door	M6 welding bolt

Max. power loss (W) for all devices in the dist. board at 35°C ambient temperature:

#### BP-U.../1

Height \ Width (mm)	320	520	720	920	1120
350	35	53	-	-	-
650	54	80	106	-	-
950	73	106	139	150	-
1150	86	124	131	177	222
1450	-	107	162	218	283

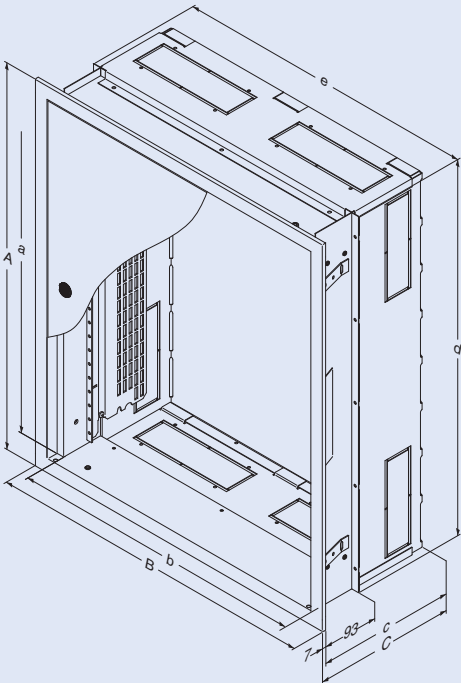
#### BP-U.../2

Height \ Width (mm)	320	520	720	920	1120
350	38	59	-	-	-
650	60	86	114	-	-
950	82	115	129	167	-
1150	95	133	146	197	256
1450	-	126	180	247	320

#### Mechanical

Material	Sheet steel
Paint coat	Phosphatised and polyester-powder-coated
Colour	Grey RAL 7035
Door	Flush doors with covered hinges, can be unhinged at an angle of more than 90° Opening angle: 110°
Door lock	Hinged handle with rotary lock; cylinder lock; 3-point lock with clip down handle
Shock resistant	IK08

### Dimensions (mm)



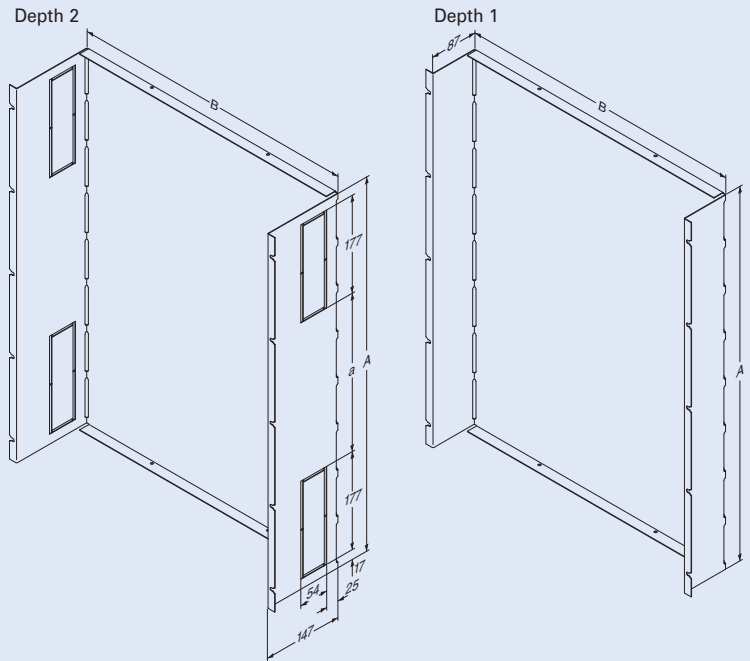
	MU	A Outside height	a Front-plate height	B Outside width	b Inside width	C Outside depth	c Installation depth	d Installation height	e Installation width
BP-U-600/7-C	96	700	650	600	520	247	240	685	555
BP-U-600/10-C	144	1000	950	600	520	247	240	985	555
BP-U-600/12-C	168	1200	1150	600	520	247	240	1185	555
BP-U-600/15-C	216	1500	1450	600	520	247	240	1485	555
BP-U-800/7-C	140	700	650	800	720	247	240	685	755
BP-U-800/10-C	210	1000	950	800	720	247	240	985	755
BP-U-800/12-C	245	1200	1150	800	720	247	240	1185	755
BP-U-800/15-C	315	1500	1450	800	720	247	240	1485	755

# Distribution Boards

## Flush-Mounting Installation Distribution Boards - 2-Step System

### Wall Box - Open for 2-Step System, BPZ-WBO2S

- Depth 1 = 180 mm or Depth 2 = 240 mm
- Easy-to-remove relief stamp
- Suitable for installation of the 2-step flush-mounting door frame
- Material: Sheet steel, zinc-coated
- Scope of delivery: 1 Wall box, fixing material



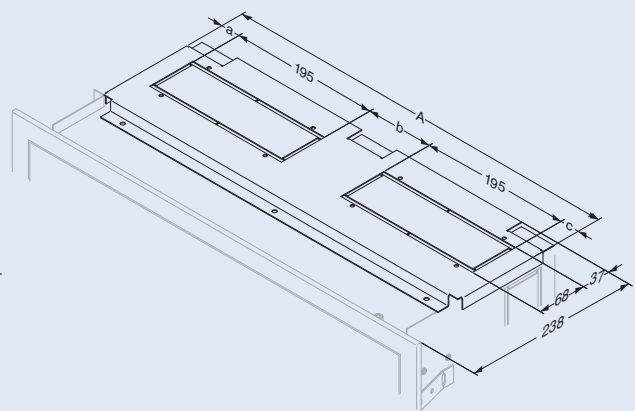
#### • Dimensions (mm)

	<b>A</b>	<b>B</b>	<b>a</b>		<b>A</b>	<b>B</b>	<b>a</b>
	Outside height	Outside width	Distance		Outside height	Outside width	Distance
BPZ-WBO2S-400/4/1	380	323	–	BPZ-WBO2S-800/7/1	680	723	–
BPZ-WBO2S-400/4/2	380	323	–	BPZ-WBO2S-800/7/2	680	723	286
BPZ-WBO2S-400/7/1	680	323	–	BPZ-WBO2S-800/10/1	980	723	–
BPZ-WBO2S-400/7/2	680	323	286	BPZ-WBO2S-800/10/2	980	723	586
BPZ-WBO2S-400/10/1	980	323	–	BPZ-WBO2S-800/12/1	1180	723	–
BPZ-WBO2S-400/10/2	980	323	586	BPZ-WBO2S-800/12/2	1180	723	786
BPZ-WBO2S-400/12/1	1180	323	–	BPZ-WBO2S-800/15/1	1480	723	–
BPZ-WBO2S-400/12/2	1180	323	786	BPZ-WBO2S-800/15/2	1480	723	1086
BPZ-WBO2S-600/4/1	380	523	–	BPZ-WBO2S-1000/10/1	980	923	–
BPZ-WBO2S-600/4/2	380	523	–	BPZ-WBO2S-1000/10/2	980	923	586
BPZ-WBO2S-600/7/1	680	523	–	BPZ-WBO2S-1000/12/1	1180	923	–
BPZ-WBO2S-600/7/2	680	523	286	BPZ-WBO2S-1000/12/2	1180	923	786
BPZ-WBO2S-600/10/1	980	523	–	BPZ-WBO2S-1000/15/1	1480	923	–
BPZ-WBO2S-600/10/2	980	523	586	BPZ-WBO2S-1000/15/2	1480	923	1086
BPZ-WBO2S-600/12/1	1180	523	–	BPZ-WBO2S-1200/12/1	1180	1123	–
BPZ-WBO2S-600/12/2	1180	523	786	BPZ-WBO2S-1200/12/2	1180	1123	786
BPZ-WBO2S-600/15/1	1480	523	–	BPZ-WBO2S-1200/15/1	1480	1123	–
BPZ-WBO2S-600/15/2	1480	523	1086	BPZ-WBO2S-1200/15/2	1480	1123	1086

### Top/Bottom Panel for 2-Step System Wall Box, Depth 2 (240 mm), BPZ-WB2STBP

- Only for depth 2
- Blind (without cutout) or with cutout for cable entry
- Easy-to-remove relief stamp
- Suitable for installation on open wall box
- Material: Sheet steel, zinc-coated
- Scope of delivery: 1 Top/bottom panel, fixing material
- Dimensions (mm)

	<b>A</b>	<b>a</b>	<b>b</b>	<b>c</b>
	Outside width	Outside depth	Distance	Distance
BPZ-WB2STBP-400/2	329	238	67	–
BPZ-WB2STBP-600/2	529	238	25.5	88
BPZ-WB2STBP-800/2	729	238	25.5	2x 46.5
BPZ-WB2STBP-1000/2	929	238	25.5	2x 32.67
BPZ-WB2STBP-1200/2	1129	238	25.5	2x 25.75

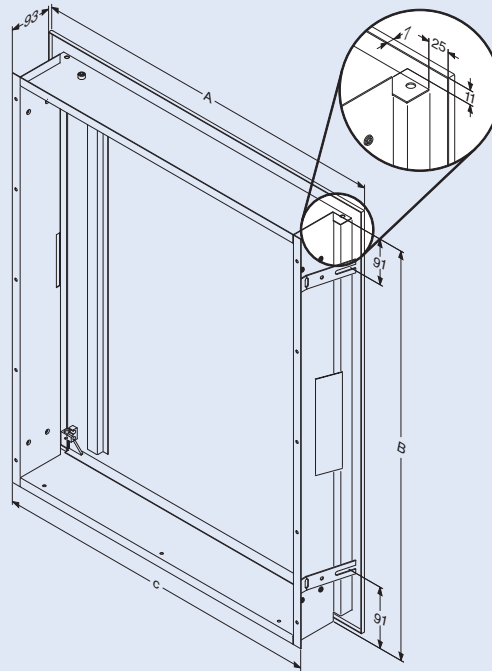


# Distribution Boards

## 2-Step Flush-Mounting Door Frame, with Door, BP-U

- Material: Sheet steel, powder-coated, RAL 7035
- Scope of delivery: Frame, door with hinges, rotary lock, fixing material for BPZ-MSW mounting side wall
- Dimensions (mm)

	<b>A</b> Outside width	<b>B</b> Outside height	<b>c</b> Inside width
BP-U-400/4	400	400	353
BP-U-400/7	400	700	353
BP-U-400/10	400	1000	353
BP-U-400/12	400	1200	353
BP-U-600/4	600	400	553
BP-U-600/7	600	700	553
BP-U-600/10	600	1000	553
BP-U-600/12	600	1200	553
BP-U-600/15	600	1500	553
BP-U-800/7	800	700	753
BP-U-800/10	800	1000	753
BP-U-800/12	800	1200	753
BP-U-800/15	800	1500	753
BP-U-1000/10	1000	1000	953
BP-U-1000/12	1000	1200	953
BP-U-1000/15	1000	1500	953
BP-U-1200/12	1200	1200	1153
BP-U-1200/15	1200	1500	1153

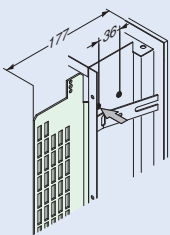


## Mounting Side Wall, BPZ-MSW

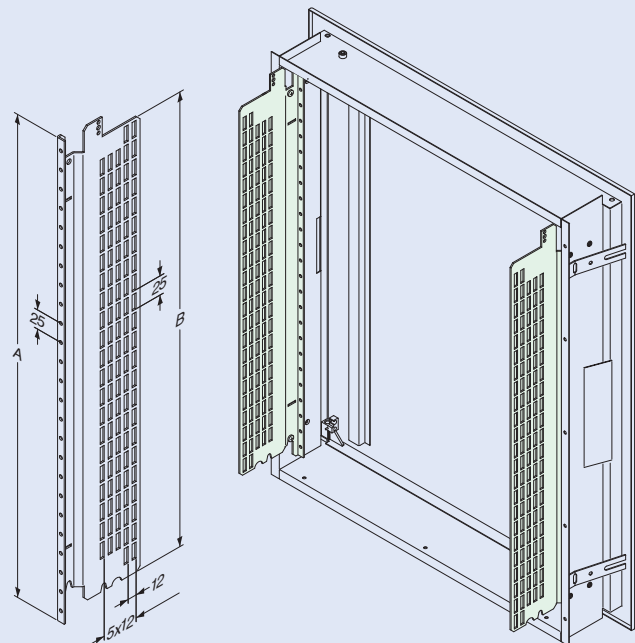
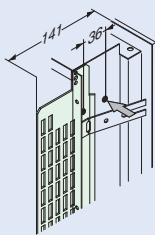
- Suitable for installation on the 2-step flush-mounting door frame with door
- Material: Sheet steel, zinc-coated
- Scope of delivery: 2 Mounting side walls
- Dimensions (mm)

	<b>A</b> Outside height	<b>B</b> Inside height	Outside depth	Frontplate height
BPZ-MSW-4	330	293	117	350
BPZ-MSW-7	630	593	117	650
BPZ-MSW-10	930	893	117	950
BPZ-MSW-12	1130	1093	117	1150
BPZ-MSW-15	1430	1393	117	1450
BPZ-MSW-17	1630	1593	117	1650
BPZ-MSW-20	1930	1893	117	1950

Pos. 1



Pos. 2

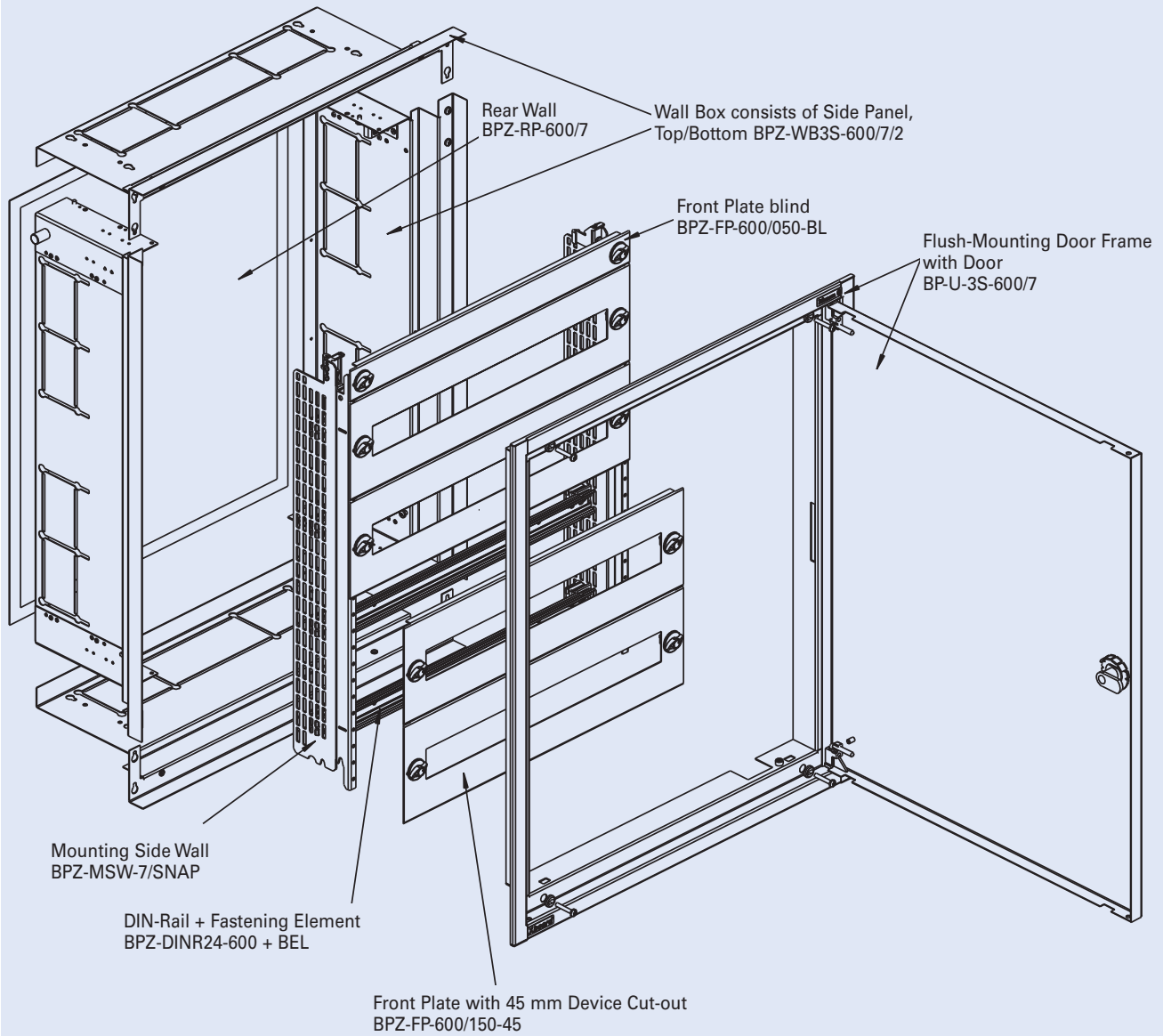


xEnergy Basic

# Distribution Boards

## Wall-Mounted Flush-mounting Distribution Boards - 3-Step-System

### System Overview



# Distribution Boards

## Flush-Mounting Installation Distribution Boards - 3-Step-System **BP-U-3S...**

- Grounded metal covers
- Generous wiring space
- Variable interior layout with removable mounting frame
- Structured, multilayer construction for easy accessible installation: mounting sided wall - DIN-rails ... - enclosure
- Reversible door hinging
- Levelling possible to offset surface unevenness of up to 18 mm

### Technical Data

#### Electrical

Design according to	IEC/EN 61439-1/3, IEC/EN 62208
Protection class	I
Degree of protection	IP30, IP43, IP54
Rated voltage	415 VAC / 50Hz
Rated current	630 A
depending on the busbar support system	
Earth connections	
Base frame	M5 earthing point screw
Door	M6 welding bolt

Max. power loss (W) for all devices in the dist. board at 35°C ambient temperature:

#### BP-U-3S-.../1

Height \ Width (mm)	330	530	730	930	1130
350	37	56	-	-	-
650	57	82	110	-	-
950	77	109	142	142	-
1150	90	128	127	163	220
1450	-	109	150	227	278
1650	-	116	174	247	316
1950	-	131	215	288	372

#### BP-U-3S-.../2

Height \ Width (mm)	330	530	730	930	1130
350	41	81	-	-	-
650	63	90	118	-	-
950	85	118	129	160	-
1150	99	136	140	187	264
1450	-	122	171	248	309
1650	-	134	203	274	354
1950	-	157	241	325	402

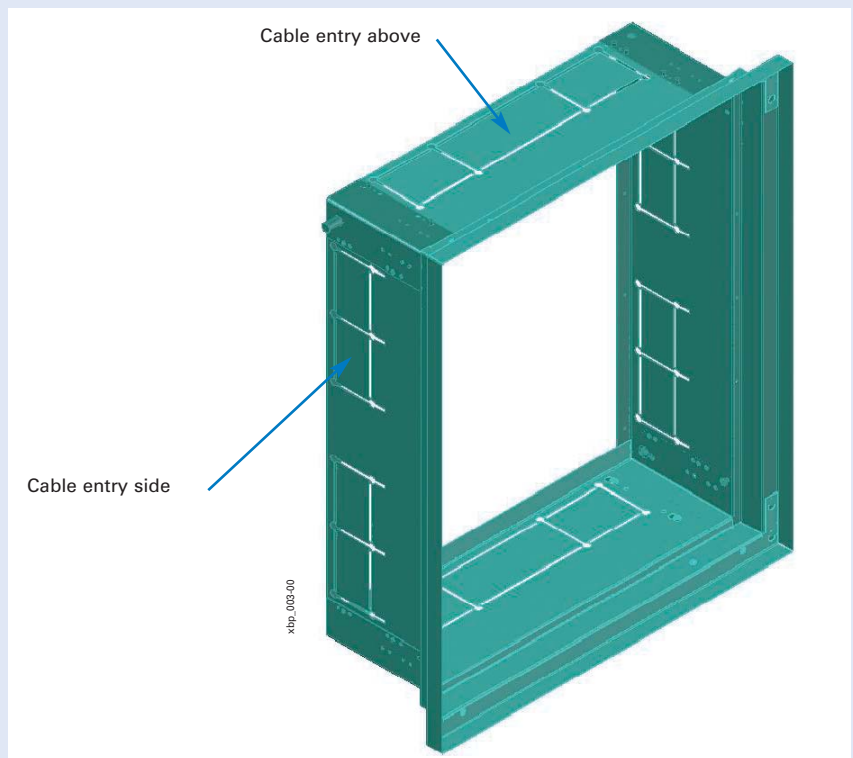
#### Mechanical

Material	Sheet steel, Aluminium (IP43, IP54)
Paint coat	Phosphatised and polyester-powder-coated
Colour	Grey RAL 7035, white RAL 9016
Door	Flush doors with covered hinges, can be unhinged at an angle of more than 90° Opening angle: 110°
Door lock	Hinged handle with rotary lock; cylinder lock; 3-point lock with clip down handle, Two-way key bit
Shock resistant	IK08

## Flush-Mounting Installation Distribution Boards - 3-Step System

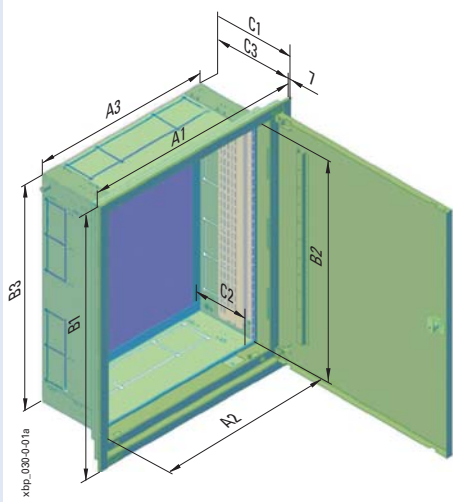
### Wall Box - for 3-Step System, BPZ-WB3S

- Depth 1 = 180 mm or Depth 2 = 240 mm
- Easy-to-remove relief stamp
- Suitable for installation of the 3-step flush-mounting door frame
- Material: Sheet steel, zinc-coated
- Scope of delivery: 1 Wall box, fixing material



# Distribution Boards

Dimensions (mm)



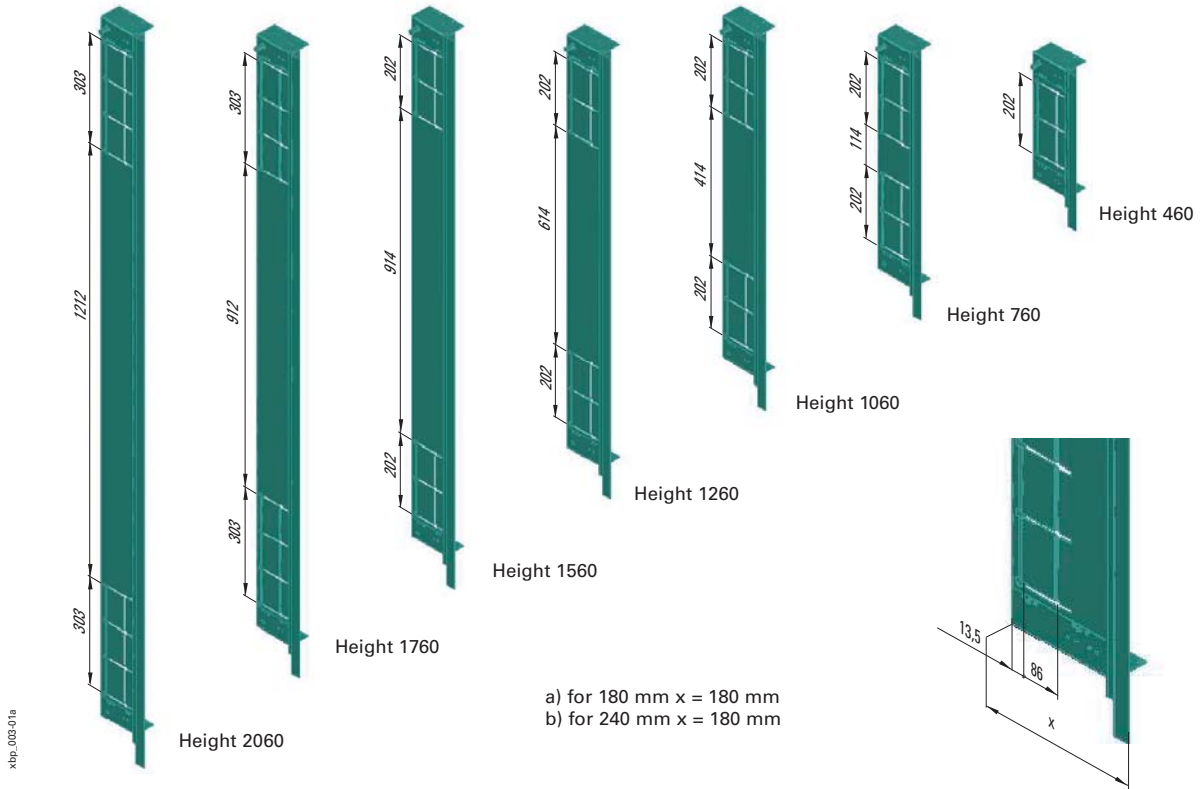
Type	Outside dimensions			Inside dimensions (front plate)			Embrasure (installation dimensions)		
	Width A1	Height B1	Depth C1	Width A2	Height B2	Depth C2	Width A3	Height B3	Depth C3
...400/4..	435	460	247 / 187	320	350	182 / 122	410	435	240 / 180
...400/7..	435	760	247 / 187	320	650	182 / 122	410	735	240 / 180
...400/10..	435	1060	247 / 187	320	950	182 / 122	410	1035	240 / 180
...400/12..	435	1260	247 / 187	320	1150	182 / 122	410	1235	240 / 180
...600/4..	635	460	247 / 187	520	350	182 / 122	610	435	240 / 180
...600/7..	635	760	247 / 187	520	650	182 / 122	610	735	240 / 180
...600/10..	635	1060	247 / 187	520	950	182 / 122	610	1035	240 / 180
...600/12..	635	1260	247 / 187	520	1150	182 / 122	610	1235	240 / 180
...600/15..	635	1560	247 / 187	520	1450	182 / 122	610	1535	240 / 180
...600/17..	635	1760	247 / 187	520	1650	182 / 122	610	1735	240 / 180
...600/20..	635	2060	247 / 187	520	1950	182 / 122	610	2035	240 / 180
...800/7..	835	760	247 / 187	720	650	182 / 122	810	735	240 / 180
...800/10..	835	1060	247 / 187	720	950	182 / 122	810	1035	240 / 180
...800/12..	835	1260	247 / 187	720	1150	182 / 122	810	1235	240 / 180
...800/15..	835	1560	247 / 187	720	1450	182 / 122	810	1535	240 / 180
...800/17..	835	1760	247 / 187	720	1650	182 / 122	810	1735	240 / 180
...800/20..	835	2060	247 / 187	720	1950	182 / 122	810	2035	240 / 180
...1000/10..	1035	1060	247 / 187	920	950	182 / 122	1010	1035	240 / 180
...1000/12..	1035	1260	247 / 187	920	1150	182 / 122	1010	1235	240 / 180
...1000/15..	1035	1560	247 / 187	920	1450	182 / 122	1010	1535	240 / 180
...1000/17..	1035	1760	247 / 187	920	1650	182 / 122	1010	1735	240 / 180
...1000/20..	1035	2060	247 / 187	920	1950	182 / 122	1010	2035	240 / 180
...1200/12..	1235	1260	247 / 187	1120	1150	182 / 122	1210	1235	240 / 180
...1200/15..	1235	1560	247 / 187	1120	1450	182 / 122	1210	1535	240 / 180
...1200/17..	1235	1760	247 / 187	1120	1650	182 / 122	1210	1735	240 / 180
...1200/20..	1235	2060	247 / 187	1120	1950	182 / 122	1210	2035	240 / 180



# Distribution Boards

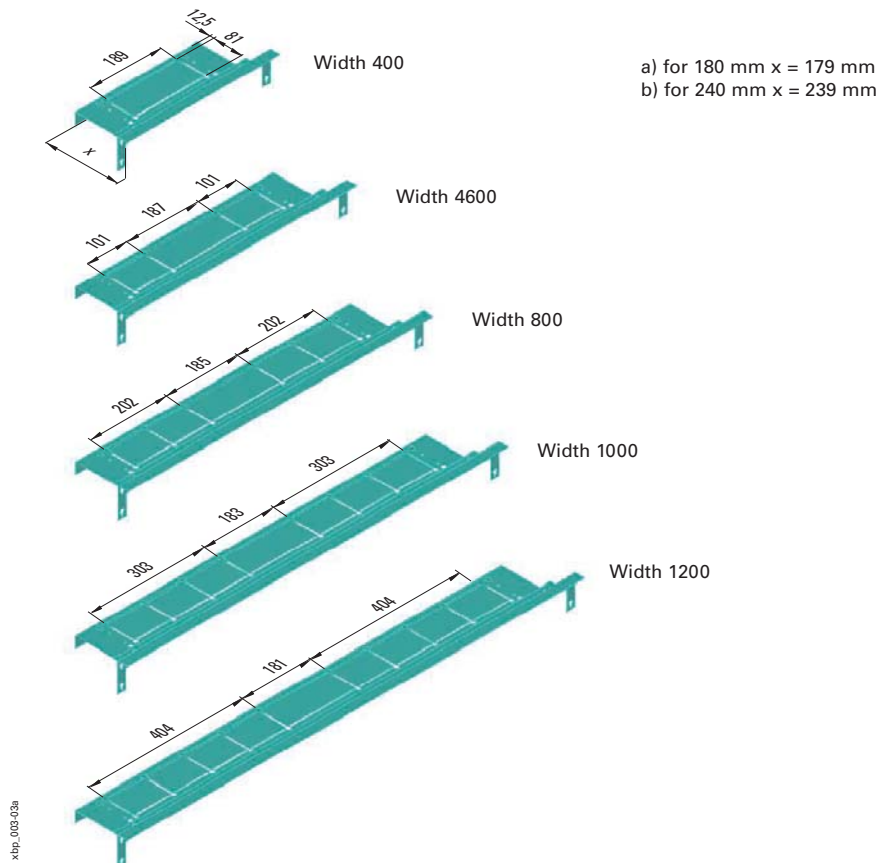
## Side panels of wall box BPZ-WB3S

Depth 180, 240



## Top and bottom panel of wall box BPZ-WB3S

Depth 180, 240



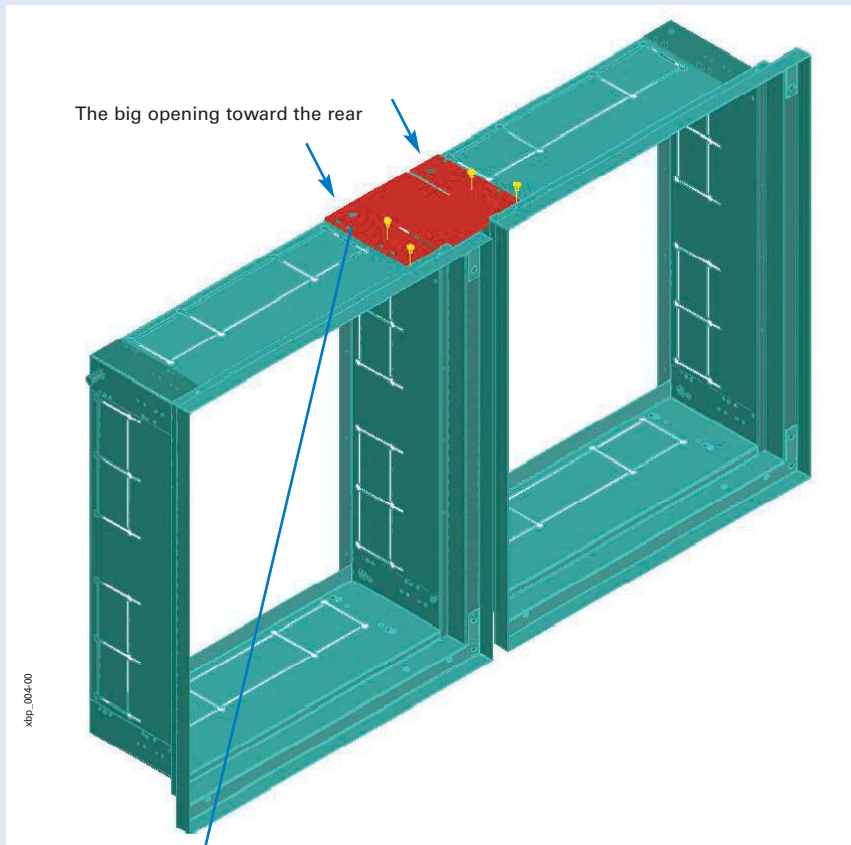
# Distribution Boards

## Connecting of flush-mounting boards with BPZ-BR/WB3S

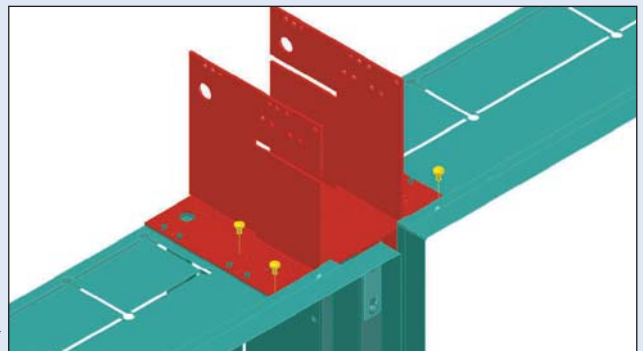
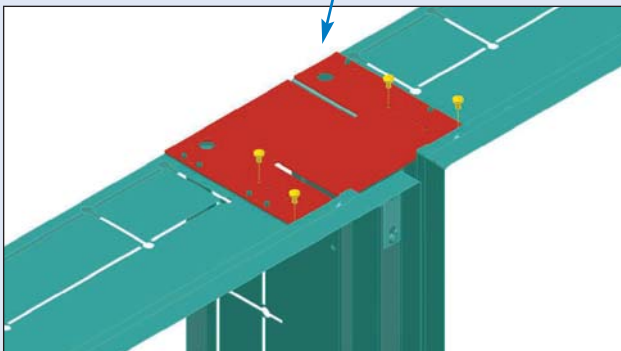
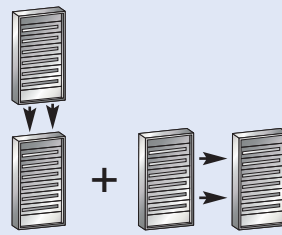
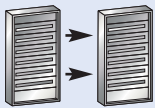
- Use of coupling flange BPZ-BR/WB3S
- The coupling flanges define respective space in between particular wall boxes
- Possible to connect boards in parallel, one above the other or into a cross (i.e. parallel and one above the other at the same time)

### Mounting process:

1. Placing of wall boxes BPZ-WB3S in parallel / one above the other
2. Put of flange BPZ-BR/WB3S. The big opening has to be oriented toward the rear
3. Fixing of the flange by means of screws



Connection of boards in parallel / above the other



Cross connection of 4 boards (2 x 2)

# Distribution Boards

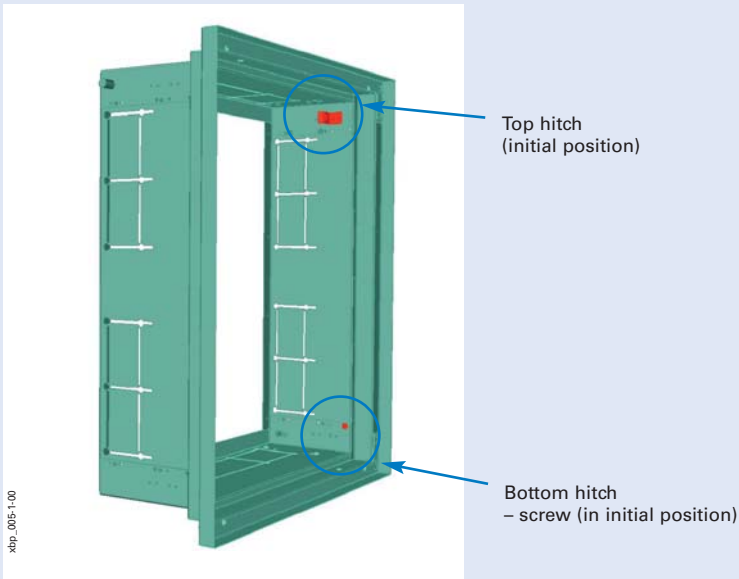
## Mounting of side walls BPZ-MSW into wall box BPZ-WB3S

### Mounting process:

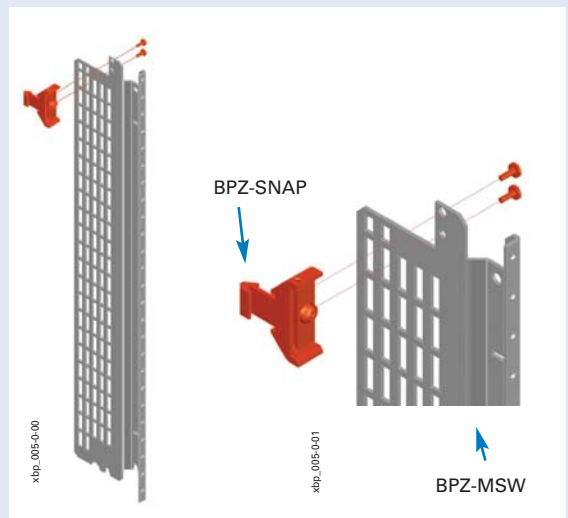
1. Placing of the side wall BPZ-MSW on bottom hitch
2. Tipping of the side wall to correct position. This position is indicated with click of the pawl BPZ-SNAP.
3. Tightening of the top hitch screw
4. Tightening of the bottom hitch screw

### Notes:

- Usually, a complete frame (2 side walls, device rails, devices) is mounted
- For flush-mounting boards, the sidewalls BPZ-MSW have to be equipped with pawls BPZ-SNAP. These pawls do not substitute a function of the original screw.  
The frame has to be fixed with this screw!
- To demount the frame BPZ-MSW, a flat screwdriver is necessary to press away a pin of pawl BPZ-SNAP.

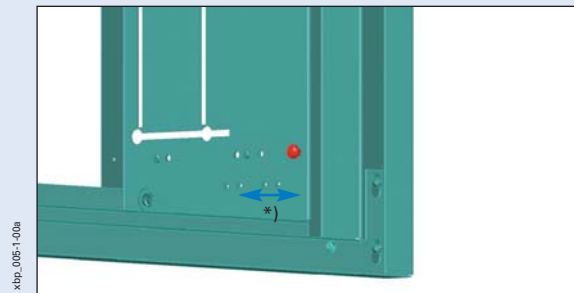


### Mounting process for pawl BPZ-SNAP:

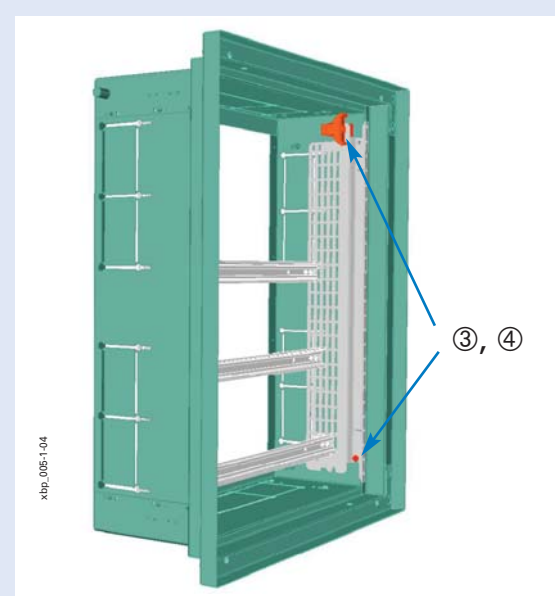
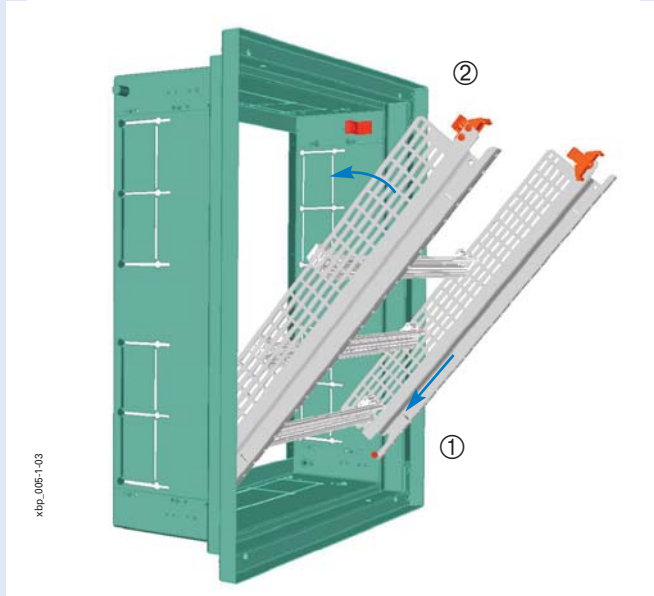


### Detail of bottom hitch

\*) possibility of change of side wall depth



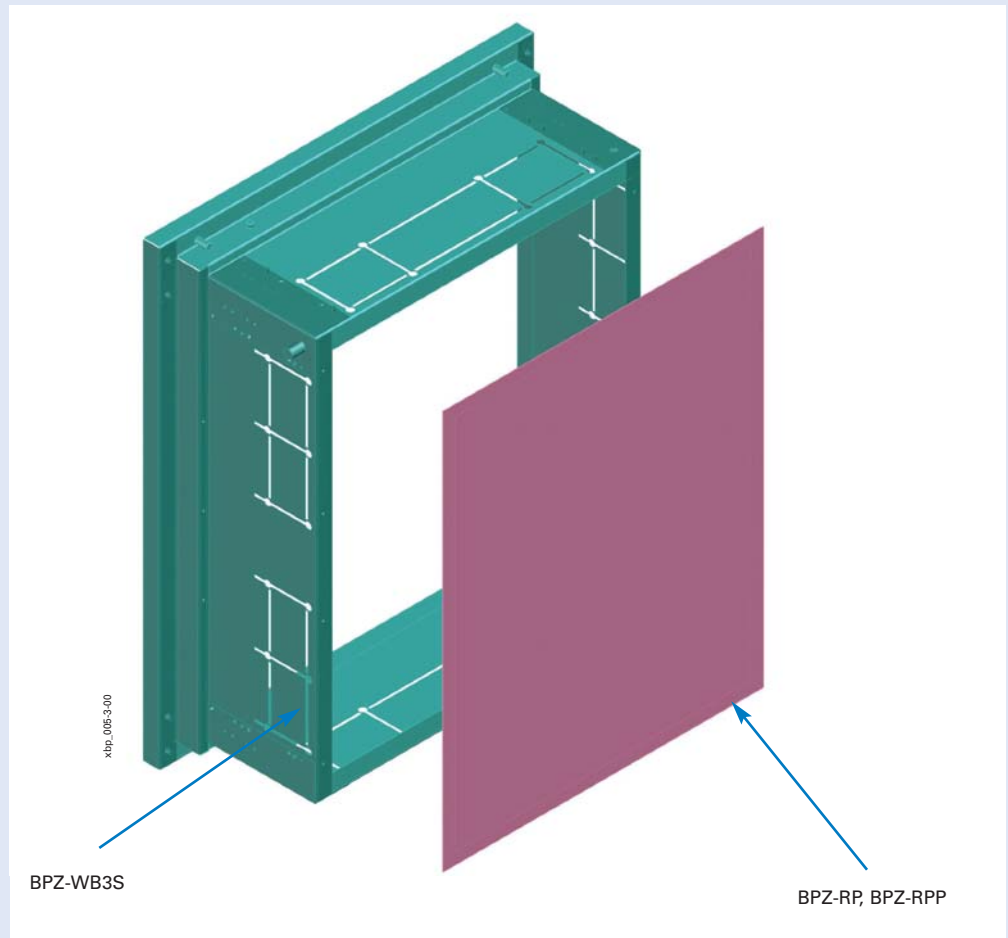
### Detail of top hitch



# Distribution Boards

## Rear walls, BPZ-RP

- Rear wall for wall box BPZ-WB3S
- Material: sheet steel, zinc-coated, thickness 1 mm, plastic
- Mounting by means of self-sealing tape
- Scope of delivery: 1 rear panel
- Attention: sheet steel rear wall must be connected through screws into the earthing concept!

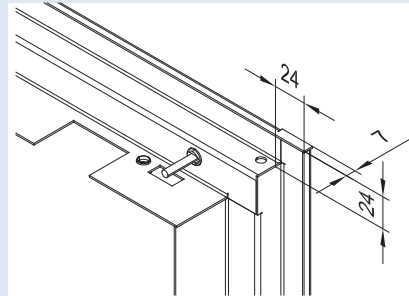
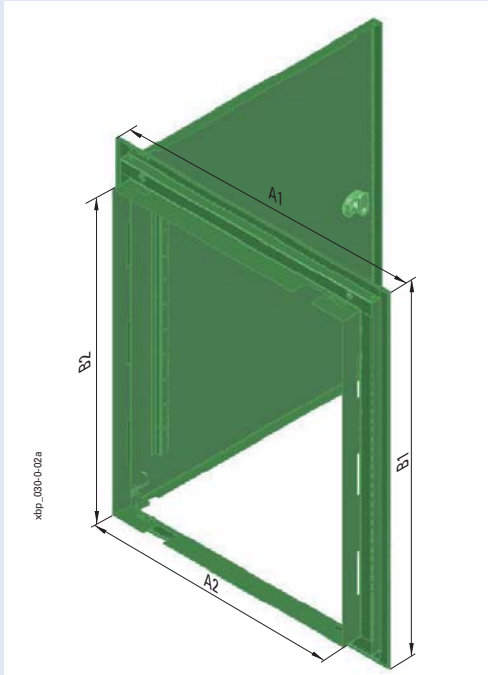


# Distribution Boards

## 3-Step Flush-Mounting Door Frame, with Door, BP-U-3S...

- IP30 . . . BP-U-3S
- IP43 . . . BPA-U-3S, with foamed sealing and rain bar for outdoor application
- IP54 . . . BPM-U-3S, with foamed sealing for moisture-proof application
- Material: Sheet steel, powder-coated, RAL 7035 or RAL 9016  
Aluminium, powder-coated, RAL 7035
- Scope of delivery: Frame, door with hinges
- Attention: Inserting the Flush-Mounting Door Frame BPA-U-3S (IP43) or BPM-U-3S (IP54) in the Wall Box BPZ-WB3S, the facility builder has to ensure waterproofing against the wall covering substrate.

### Dimensions [mm]



Type	Outside dimensions		Inside dimensions		Number of locks <sup>1)</sup>	
	Width A1	Height B1	Width A2	Height B2	IP30	IP43 IP54
BP-U-3S-400/4...	435	460	330	360	1	1
BP-U-3S-400/7...	435	760	330	660	1	2
BP-U-3S-400/10...	435	1060	330	960	1	2
BP-U-3S-400/12...	435	1260	330	1160	2	2
BP-U-3S-600/4...	635	460	530	360	1	1
BP-U-3S-600/7...	635	760	530	660	1	2
BP-U-3S-600/10...	635	1060	530	960	1	2
BP-U-3S-600/12...	635	1260	530	1160	2	2
BP-U-3S-600/15...	635	1560	530	1460	2	3
BP-U-3S-600/17...	635	1760	530	1660	3	3
BP-U-3S-600/20...	635	2060	530	1960	3	3
BP-U-3S-800/7...	835	760	730	660	1	2
BP-U-3S-800/10...	835	1060	730	960	1	2
BP-U-3S-800/12...	835	1260	730	1160	2	2
BP-U-3S-800/15...	835	1560	730	1460	2	3
BP-U-3S-800/17...	835	1760	730	1660	3	3
BP-U-3S-800/20...	835	2060	730	1960	3	3
BP-U-3S-1000/10...	1035	1060	930	960	1 <sup>2)</sup>	2 <sup>2)</sup>
BP-U-3S-1000/12...	1035	1260	930	1160	2 <sup>2)</sup>	2 <sup>2)</sup>
BP-U-3S-1000/15...	1035	1560	930	1460	2 <sup>2)</sup>	3 <sup>2)</sup>
BP-U-3S-1000/17...	1035	1760	930	1660	3 <sup>2)</sup>	3 <sup>2)</sup>
BP-U-3S-1000/20...	1035	2060	930	1960	3 <sup>2)</sup>	3 <sup>2)</sup>
BP-U-3S-1200/12...	1235	1260	1130	1160	2 <sup>2)</sup>	2 <sup>2)</sup>
BP-U-3S-1200/15...	1235	1560	1130	1460	2 <sup>2)</sup>	3 <sup>2)</sup>
BP-U-3S-1200/17...	1235	1760	1130	1660	3 <sup>2)</sup>	3 <sup>2)</sup>
BP-U-3S-1200/20...	1235	2060	1130	1960	3 <sup>2)</sup>	3 <sup>2)</sup>

<sup>1)</sup> Number of hinge cut-outs for rotary handles. doors with clip down handle also available.

<sup>2)</sup> Number of locks for the right door. Left door contains two rotary handles in all dimensions.

# Distribution Boards

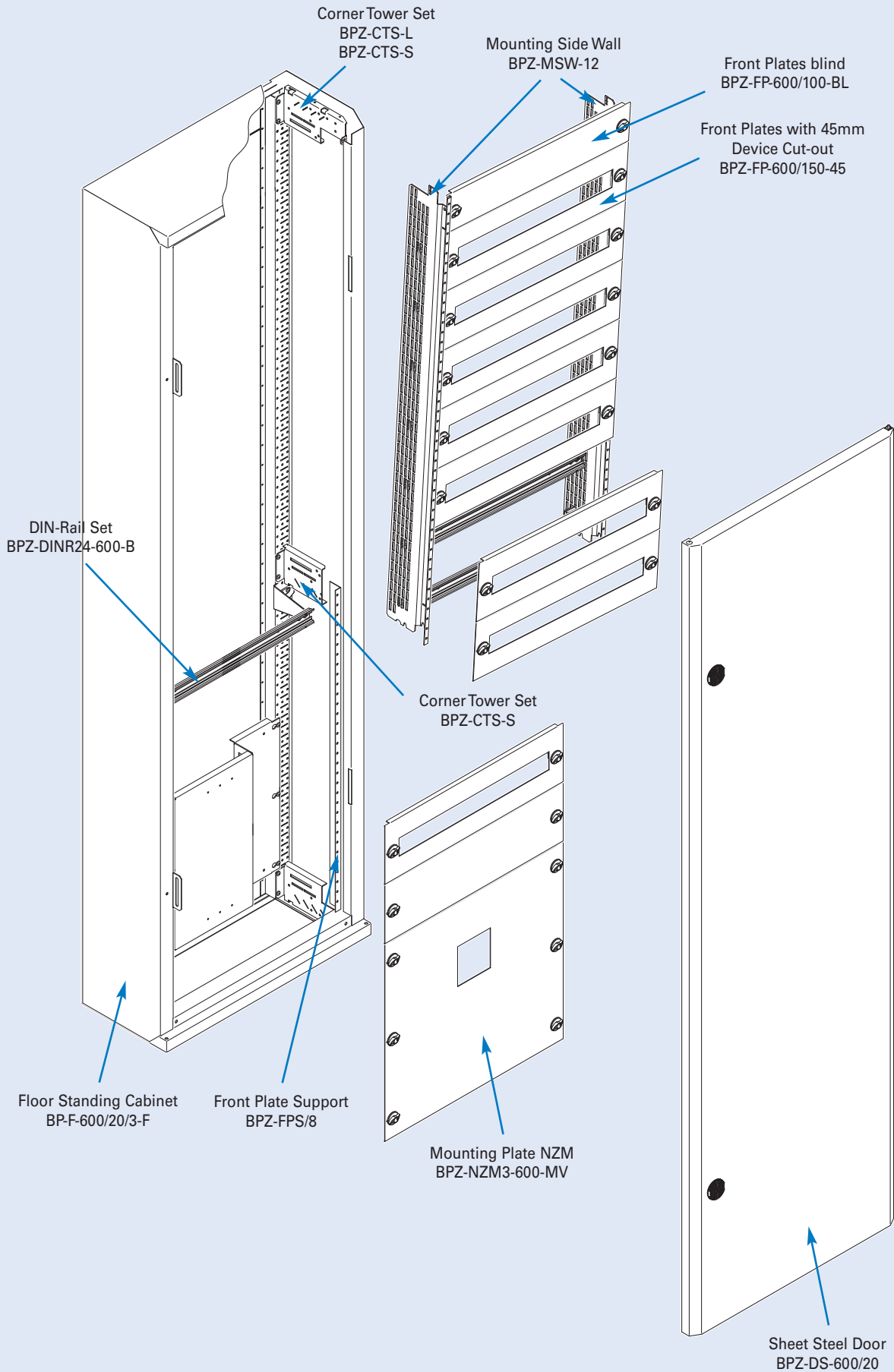
## **Separation Frame Set, BPZ-USF**

- Only for flush-mounting boards with a width of 1000 and 1200 mm
- Only with MSW application
- For separate a 1000 or 1200 mm board in a 600/400 or 600/600 section
- Material: Sheet steel, powder-coated grey (RAL 7035) and white (RAL 9016)
- Scope of delivery: 1 Separation Frame and fixing material

# Distribution Boards

## Floor-Standing Distribution Board BP-F...

### System Overview



xEnergy  
Basic

# Distribution Boards

## Floor-Standing Distribution Boards, BP-F...

- Grounded metal covers
- Excellent stability thanks to the welded construction
- Generous wiring space
- Variable interior layout with/without removable mounting frame
- Structured, multilayer construction for easy accessible installation: base frame - DIN-rails ... - enclosure
- Reversible door hinging

### Technical Data

#### Electrical

Design according to	IEC/EN 61439-1/3, IEC/EN 62208
Protection class	I
Degree of protection	IP30
Rated voltage	415 VAC / 50Hz
Rated current	630 A
depending on the busbar support system	

#### Earth connections

Base frame	M8 welding bolt
Door	M6 welding bolt

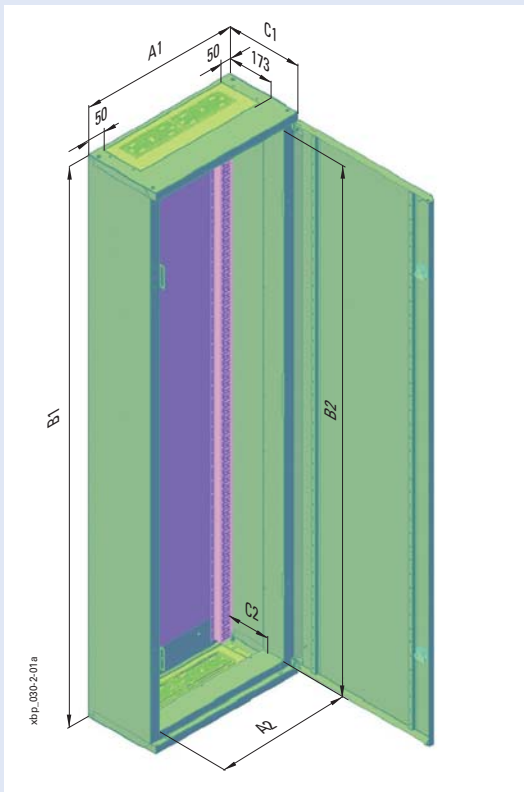
Max. power loss (W) for all devices in the dist. board at 35° C ambient temperature:

Height / Width (mm)	400	600	800	1000	1200
1760	179	258	347	420	478
2060	220	305	320	448	519

#### Mechanical

Material	Sheet steel
Paint coat	Phosphatised and polyester-powder-coated
Colour	Grey RAL 7035, white RAL 9016
Door	Doors with covered hinges, can be unhinged at an angle of more than 90° Opening angle: 167° (ca. 100° in case of several distribution boards mounted next to each other)
Door lock	Hinged handle with rotary lock; cylinder lock; 3-point lock with clip down handle
Cable entry	Different covers permit cable entry from below and/or above IK08
Shock resistant	IK08

### Dimensions (mm)



Type	Outside dimensions			Inside dimensions			Pv W	Number of locks <sup>1)</sup>
	Width A1	Height B1	Depth C1 without door / with door	Width A2	Height B2	Depth C2		
BP-F-400/17/3	400	1760	286,5 / 300	320	1650	155	203	2
BP-F-400/20/3	400	2060	286,5 / 300	320	1950	155	225	2
BP-F-600/17/3	600	1760	286,5 / 300	520	1650	155	297	2
BP-F-600/20/3	600	2060	286,5 / 300	520	1950	155	343	2
BP-F-800/17/3	800	1760	286,5 / 300	720	1650	155	387	2
BP-F-800/20/3	800	2060	286,5 / 300	720	1950	155	415	2
BP-F-1000/17/3	1000	1760	286,5 / 300	920	1650	155	455	2 <sup>2)</sup>
BP-F-1000/20/3	1000	2060	286,5 / 300	920	1950	155	511	2 <sup>2)</sup>
BP-F-1200/17/3	1200	1760	286,5 / 300	1120	1650	155	545	2 <sup>2)</sup>
BP-F-1200/20/3	1200	2060	286,5 / 300	1120	1950	155	561	2 <sup>2)</sup>
BP-F-400/20/2,5	400	2060	236,5 / 250	320	1950	185*	196	2
BP-F-600/20/2,5	600	2060	236,5 / 250	520	1950	185*	316	2
BP-F-800/20/2,5	800	2060	236,5 / 250	720	1950	185*	386	2
BP-F-1000/20/2,5	1000	2060	236,5 / 250	920	1950	185*	468	2 <sup>2)</sup>
BP-F-1200/20/2,5	1200	2060	236,5 / 250	1120	1950	185*	535	2 <sup>2)</sup>
BP-F-400/20/4	400	2060	386,5 / 400	320	1950	255	293	2
BP-F-600/20/4	600	2060	386,5 / 400	520	1950	255	388	2
BP-F-800/20/4	800	2060	386,5 / 400	720	1950	255	480	2
BP-F-1000/20/4	1000	2060	386,5 / 400	920	1950	255	556	2 <sup>2)</sup>
BP-F-1200/20/4	1200	2060	386,5 / 400	1120	1950	255	624	2 <sup>2)</sup>

\* no assembly spar (only MSW construction)

<sup>1)</sup> Number of hinge cut-outs for rotary handles. doors with clip down handle also available.

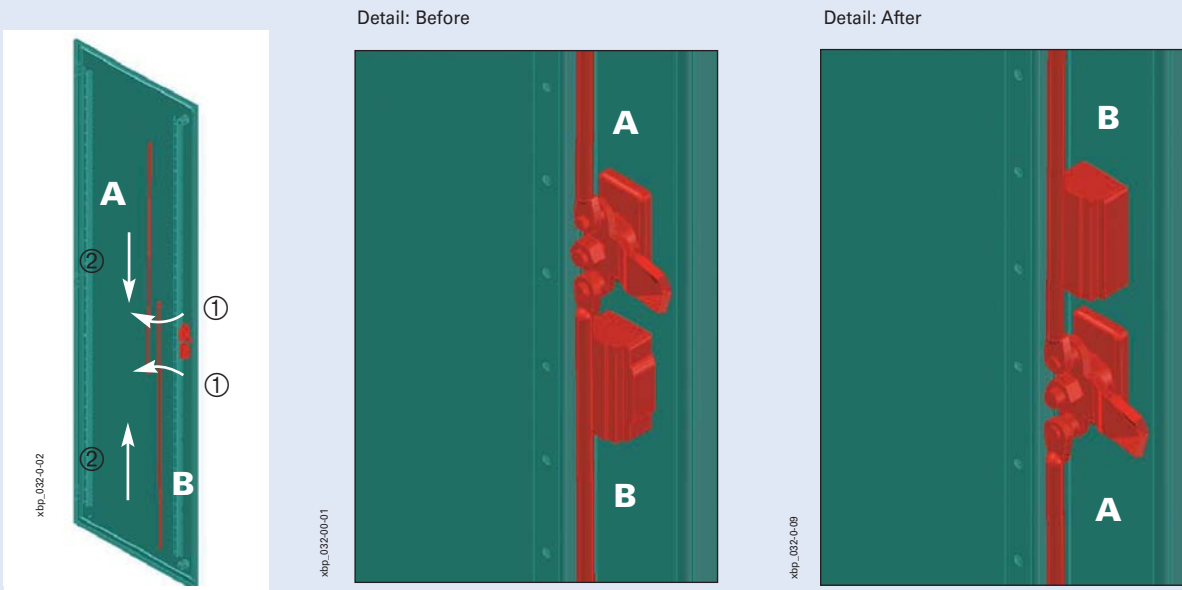
<sup>2)</sup> Number of locks for the right door. Left door contains two rotary handles in all dimensions.



# Distribution Boards

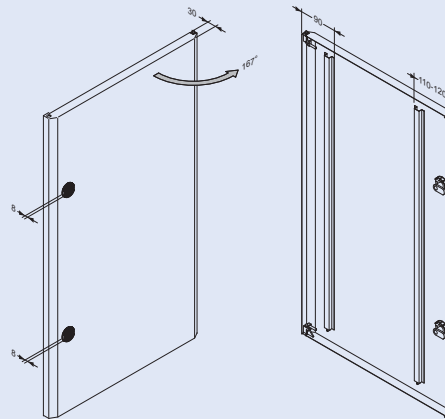
## Change of clip down handle for change of direction of opening of door

1. Demounting of rods – removing from lock mechanism
2. Demounting of rods – taking out from fastening lugs



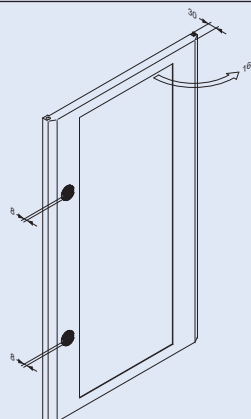
## Sheet Steel Doors, BPZ-DS

- Front-mounted
  - Quick mounting and removing of the door
  - Right or left hinged
  - Opening angle 167°
  - 1-point lock through rotary lock, 3-point lock through clip-down handle
  - Material: Sheet steel, powder-coated, RAL 7035 or RAL 9016
  - Weight (kg):
- |             |     |      |      |          |           |
|-------------|-----|------|------|----------|-----------|
| Width (mm)  | 400 | 600  | 800  | 600+400  | 600+600   |
| Height 1700 | 6,2 | 9    | 11,8 | 9+6,5    | 9+9,1     |
| Height 2000 | 7,3 | 10,6 | 13,8 | 10,6+7,7 | 10,6+10,6 |
- Scope of delivery: 1 Door



## Transparent Doors (Sheet Steel), BPZ-DT

- Front-mounted
  - Quick mounting and removing of the door
  - Right or left hinged
  - Opening angle 167°
  - 1-point lock through rotary lock, 3-point lock through clip-down handle
  - Material: Sheet steel, powder-coated, RAL 7035 or RAL 9016, 4mm tempered safety glass according to EN 12150-1 or DIN 1249
  - Weight (kg):
- |             |     |      |      |           |           |
|-------------|-----|------|------|-----------|-----------|
| Width (mm)  | 400 | 600  | 800  | 600+400   | 600+600   |
| Height 1700 | 8,1 | 13,3 | 16   | 13,3+10,9 | 13,3+16,9 |
| Height 2000 | 9,4 | 15,6 | 18,6 | 15,6+12,7 | 15,6+19,8 |
- Scope of delivery: 1 Door



xEnergy Basic

# Distribution Boards

## Floor-Standing Distribution Boards, BPM-F...

- Grounded metal covers
- Excellent stability thanks to the welded construction
- Generous wiring space
- Variable interior layout with/without removable mounting frame
- Structured, multilayer construction for easy accessible installation: base frame - DIN-rails ... - enclosure
- Reversible door hinging

### Technical Data

#### Electrical

Design according to	IEC/EN 61439-1/3, IEC/EN 62208
Protection class	I
Degree of protection	IP54
Rated voltage	415 VAC / 50Hz
Rated current	630 A
depending on the busbar support system	
Earth connections	
Base frame	M8 welding bolt
Door	M6 welding bolt

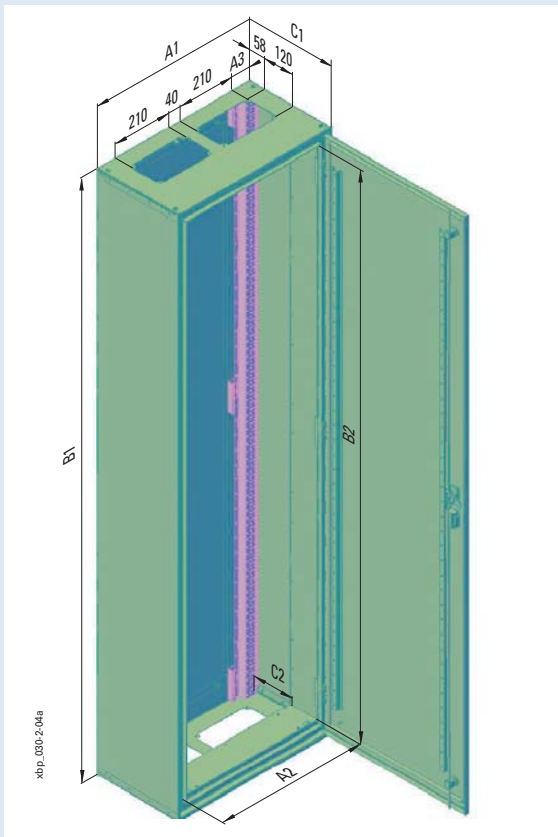
Max. power loss (W) for all devices in the dist. board at 35° C ambient temperature:

Height / Width (mm)	400	600	800	1000	1200
1760	188	268	362	431	490
2060	231	317	395	457	533

#### Mechanical

Material	Sheet steel
Paint coat	Phosphatised and polyester-powder-coated
Colour	Grey RAL 7035
Door	Doors with covered hinges, Opening angle: 100°
Door lock	Two-way key bit, clip down handle
Cable entry	Open cable entry below and/or above, prepared for F3A-Flanges
Shock resistant	IK08

### Dimensions (mm)



Type	Outside dimensions			Inside dimension			Flanges		Number of locks <sup>1)</sup>
	Width A1	Height B1	Depth C1	Width A2	Height B2	Depth C2	A3	Amount of F3A flanges <sup>3)</sup>	
BPM-F-400/17	400	1760	320	320	1650	155	94	1 / 1	3
BPM-F-400/20	400	2060	320	320	1950	155	94	1 / 1	3
BPM-F-600/17	600	1760	320	520	1650	155	69	2 / 2	3
BPM-F-600/20	600	2060	320	520	1950	155	69	2 / 2	3
BPM-F-800/17	800	1760	320	720	1650	155	44	3 / 3	3
BPM-F-800/20	800	2060	320	720	1950	155	44	3 / 3	3
BPM-F-1000/17	1000	1760	320	920	1650	155	144	3 / 3	3 <sup>2)</sup>
BPM-F-1000/20	1000	2060	320	920	1950	155	144	3 / 3	3 <sup>2)</sup>
BPM-F-1200/17	1200	1760	320	1120	1650	155	119	4 / 4	3 <sup>2)</sup>
BPM-F-1200/20	1200	2060	320	1120	1950	155	119	4 / 4	3 <sup>2)</sup>

<sup>1)</sup> Number of hinge cut-outs for rotary handles. doors with clip down handle also available.

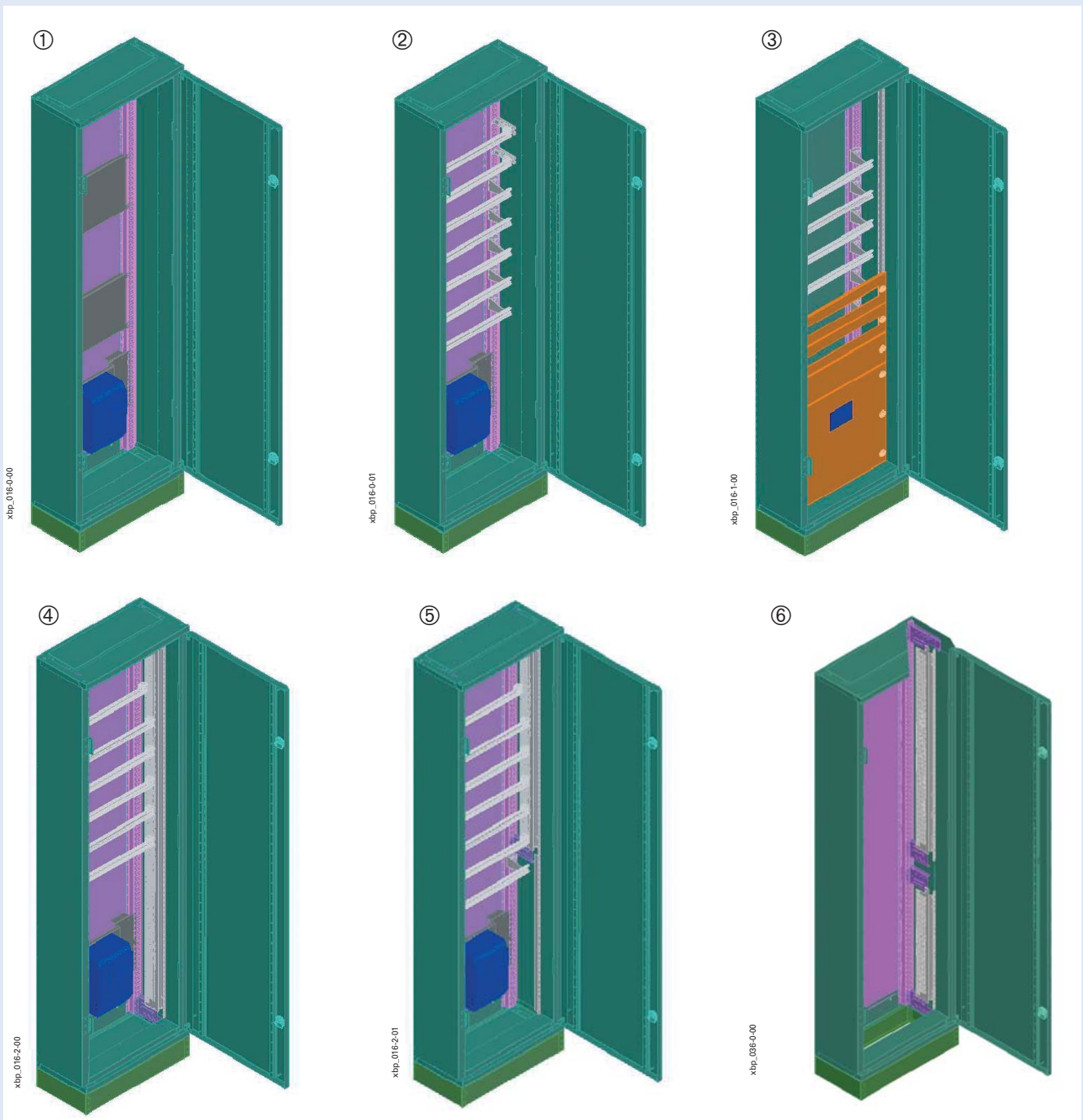
<sup>2)</sup> Number of locks for the right door. Left door contains two rotary handles in all dimensions.

<sup>3)</sup> Number of cut outs for F3A flanges on top/on bottom.

# Distribution Boards

## Possible variants of inside configuration of BP(M)-F

- Installation of inside equipment is identical for both versions BP-F with IP30 and BPM-F with IP54
1. **Installation of mounting plates BPZ-MPL and mounting sets (e.g. BPZ-NZM) directly onto rear frame.** Frontplates can be equipped by means of supports BPZ-FPS.
  2. **Simultaneous installation of mounting plates BPZ-MPL or mounting sets (e.g. BPZ-NZM) and device rails directly onto rear frame.** Device rails can be fitted either with towers BPZ-TF/2 (set with rail BPZ-DINR13-...-B) for standard depth or directly onto rear frame for maximum depth. The other depths between these two utmost ones can be reached with towers BPZ-TA/2 (set with rail BPZ-DINR13-...-T). For this tower, the device rail is fitted by means of fastening elements BEL.
  3. **Example of mounting of frontplates by means of support BPZ-FPS.**
  4. **Application of mounting side walls BPZ-MSW.** Device rails are mounted onto BPZ-MSW by means of fastening elements BEL. Mounting plates and device rails can be fitted directly onto rear frame, as well. Front plates are fastened onto side walls BPZ-MSW for whole board height. Installation of the mounting frame BPZ-MSW is the same as for surface mounting board, i.e. by means of corner towers BPZ-CTS-L. Corner towers BPZ-CTS-L are not in scope of delivery of the board itself.
  5. **Application of mounting side walls BPZ-MSW for partial height of the board.** Suitable e.g. for combination of input power section and installation section in a single board. Short side walls BPZ-MSW are mounted by means of towers BPZ-CTS-L in the corners and towers BPZ-CTS-S in the middle of the board. The towers are not in a scope of delivery of the board. Frontplates are mounted onto BPZ-MSW in the installation section. If the frontplates are asked also for power section, support BPZ-FPS with appropriate length is used for their fixing.
  6. **Application of mounting side walls BPZ-MSW for more sections.** Suitable e.g. for easier mounting of heavy equipment, for splitting up into heavy current and weak current section etc. It is necessary to pay attention to correct position of the tower BPZ-CTS-S (the cutout has to be located at the opposite side to BPZ-MSW).



# Distribution Boards

## Mounting Inserts, BPZ-MES

- Overview of all available inserts with front plates. Insert fits in Wall-mounting-, Flush-mounting- and Open distribution boards. With MSW application.

	<p>BPZ-MES-600/4</p> <p>48 MU</p>			
<p>BPZ-MES-400/7</p> <p>52 MU</p>	<p>BPZ-MES-600/7</p> <p>96 MU</p>			
<p>BPZ-MES-400/10</p> <p>65 MU</p>	<p>BPZ-MES-600/10</p> <p>120 MU</p>	<p>BPZ-MES-800/10</p> <p>175 MU</p>	<p>BPZ-MES-1000/10</p> <p>230 MU</p>	
<p>BPZ-MES-400/12</p> <p>78 MU</p>	<p>BPZ-MES-600/12</p> <p>144 MU</p>	<p>BPZ-MES-800/12</p> <p>210 MU</p>	<p>BPZ-MES-1000/12</p> <p>276 MU</p>	<p>BPZ-MES-1200/12</p> <p>342 MU</p>
	<p>BPZ-MES-600/15</p> <p>168 MU</p>	<p>BPZ-MES-800/15</p> <p>245 MU</p>	<p>BPZ-MES-1000/15</p> <p>322 MU</p>	<p>BPZ-MES-1200/15</p> <p>399 MU</p>
	<p>BPZ-MES-600/17</p> <p>192 MU</p>	<p>BPZ-MES-800/17</p> <p>280 MU</p>	<p>BPZ-MES-1000/17</p> <p>368 MU</p>	<p>BPZ-MES-1200/17</p> <p>456 MU</p>
	<p>BPZ-MES-600/20</p> <p>216 MU</p>	<p>BPZ-MES-800/20</p> <p>315 MU</p>	<p>BPZ-MES-1000/20</p> <p>414 MU</p>	<p>BPZ-MES-1200/20</p> <p>513 MU</p>

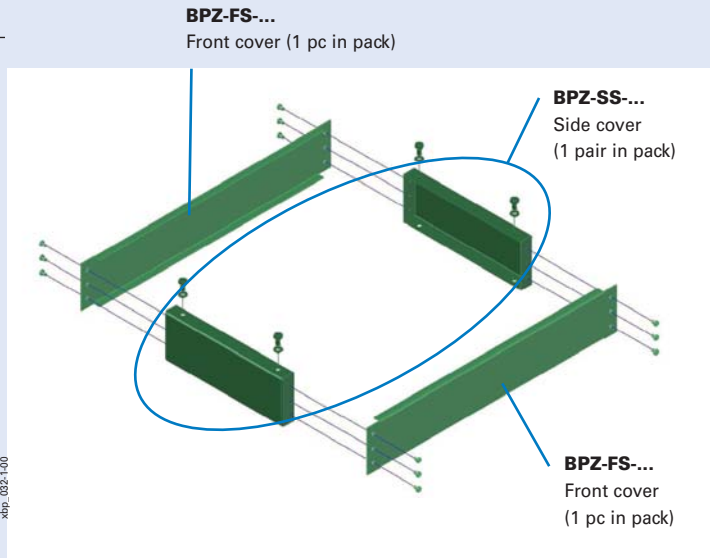
# Distribution Boards

## Front cover for base, BPZ-FS-..

- Height: 100 mm or 200 mm
- Material: Sheet steel, powder-coated, RAL 7035 and RAL 9016
- Scope of delivery: 1 Front cover, fixing material

## Side cover for base, BPZ-SS-..

- Height: 100 mm or 200 mm
- Material: Sheet steel, powder-coated, RAL 7035 and RAL 9016
- Scope of delivery: 2 Side covers, fixing material

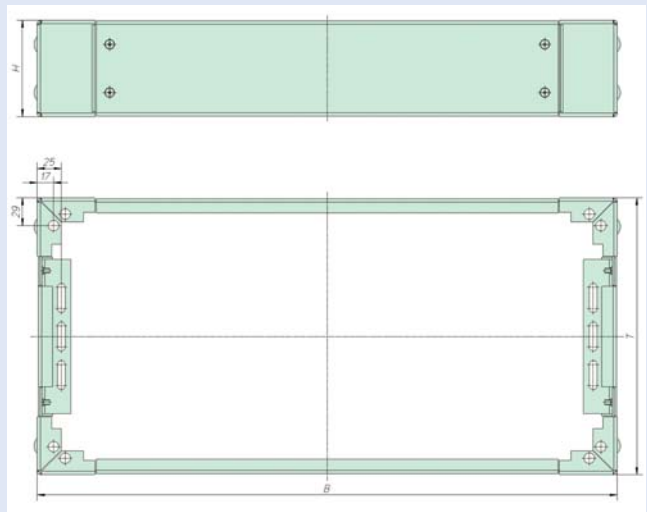


## Cable Interconnect Frame, BPZ-KR...

- Height: 100mm or 200mm
- Material: Sheet steel, powder-coated, RAL 7035 or RAL 9016 (BPZ-KR.../300-W)
- Scope of delivery: 1 Cable interconnect frame including fixing material without cable strain-relief rail

### Dimensions (mm):

Type	W	H	D
BPZ-KR41/300(-W)	400	100	286.5
BPZ-KR42/300(-W)	400	200	286.5
BPZ-KR61/300(-W)	600	100	286.5
BPZ-KR62/300(-W)	600	200	286.5
BPZ-KR81/300(-W)	800	100	286.5
BPZ-KR82/300(-W)	800	200	286.5
BPZ-KR121/300(-W)	1200	100	286.5
BPZ-KR122/300(-W)	1200	200	286.5
BPZ-KR41/320(-W)	400	100	320
BPZ-KR42/320(-W)	400	200	320
BPZ-KR61/320(-W)	600	100	320
BPZ-KR62/320(-W)	600	200	320
BPZ-KR81/320(-W)	800	100	320
BPZ-KR82/320(-W)	800	200	320
BPZ-KR121/320(-W)	1200	100	320
BPZ-KR122/320(-W)	1200	200	320

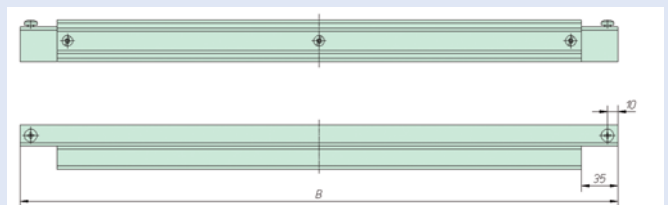


## Cable Strain-Relief Rail, BPZ-KFS

- Material: Sheet steel, galvanized
- C-Profile 16 mm, for hammerfoot yoke clamps
- Scope of delivery: 1 Cable strain-relief rail incl. fixing material

### Dimensions (mm):

Type	B
BPZ-KFS400	370
BPZ-KFS600	570
BPZ-KFS830	800
BPZ-KFS1200	1170



xEnergy Basic

# Distribution Boards

## **Vertical Division in a Surface-Mounted Installation DB as of 800 mm width, IP30 and IP54**

- The interior layout can be divided into different sub-divisional widths by using vertical profiles
- Not suitable for a layout including a mounting side-panel (BPZ-MSW)
- In addition, there is also a possibility to use partitions between these individual compartments
- Vertical division in a wall-mounted distribution board is possible as of a width of 800 mm, in a floor-standing distribution board of a width of 1000 or 1200 mm only

## **Fixing Profile for Divided Set-up in a Wall-mounted Distribution Board, BPZ-SFB**

- This profile can directly be fixed at the frame and serves as an element for fixing the other setup posts at the rear
- When used in an IP30 enclosure, the bar must be shortened on both ends
- Material: Sheet steel (2 mm), galvanized
- Scope of delivery: 2 Fixing profiles (for top and bottom), fixing accessories

## **Set for Divided Setup, BPZ-SF**

- For setting up the divided sections required in the enclosure
- Set consisting of setup posts (rear-mounted) and cover frame (front-mounted)
- An overview of all layout types possible is provided on the next page
- Material  
Setup posts: Sheet steel (1.5 mm), galvanized  
Front cover: Sheet steel (1 mm), powder-coated, RAL 7035
- Scope of delivery: Depending on the type with either 1 or 2 setup posts, 1 cover frame, fixing accessories

## **Sheet-Steel Door as a Front Cover for the 200 mm Compartment in a Divided Setup, BPZ-CD-200/..**

- To protect the 200 mm compartment from unauthorized access
- The door is right-hinged, pivoting and removable when necessary
- Metal door to make contact with the enclosure
- Material: Sheet steel (1.5 mm), powder-coated, RAL 7035
- Scope of delivery: 1 Door incl. mounting frame, fixing accessories

## **Partition for Divided Setup, BPZ-SF-DP-..**

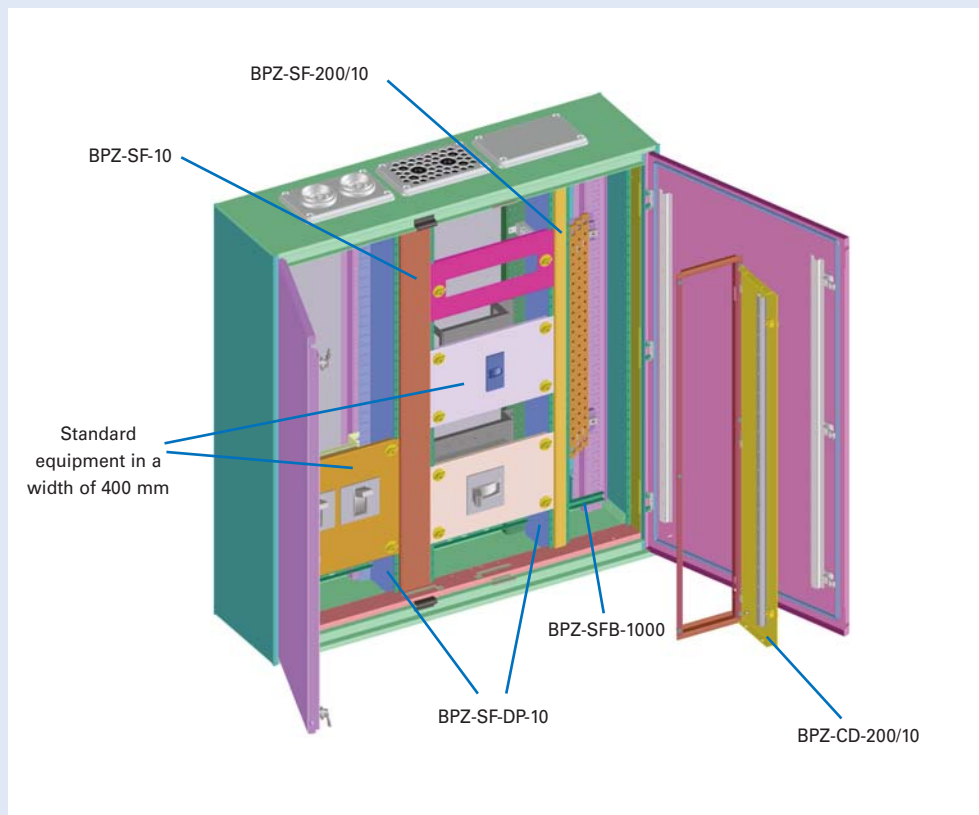
- For vertical partition between 2 sub-sections within one enclosure
- To be mounted on the rear setup posts
- Material: Sheet steel (1.5 mm), galvanized
- Scope of delivery: 1 Partition, mounting accessories

# Distribution Boards

## Possible Variants for Vertical Division in a Surface-Mounted Installation Distribution Board IP30 and IP54

Type / Enclosure width [mm]	Compartment width [mm]					Parts required depending on division of the enclosure		
	1000	800	600	400	200	Fixing profile	BPZ-SF	BPZ-SF-200
Wall-mounted enclosure 800 mm	-	-	-	2x	-	BPZ-SFB-800	1x	-
Wall-mounted enclosure 800 mm	-	-	1x	-	1x	BPZ-SFB-800	-	1x
Wall-mounted enclosure 1000 mm *)	-	-	-	2x	1x	BPZ-SFB-1000	1x	1x
Wall-mounted enclosure 1000 mm	-	-	1x	1x	-	BPZ-SFB-1000	1x	-
Wall-mounted enclosure 1000 mm	-	1x	-	-	1x	BPZ-SFB-1000	-	1x
Wall-mounted enclosure 1200 mm	-	-	-	3x	-	BPZ-SFB-1200	2x	-
Wall-mounted enclosure 1200 mm	-	-	1x	1x	1x	BPZ-SFB-1200	1x	1x
Wall-mounted enclosure 1200 mm	-	-	2x	-	-	BPZ-SFB-1200	1x	-
Wall-mounted enclosure 1200 mm	-	1x	-	1x	-	BPZ-SFB-1200	1x	-
Wall-mounted enclosure 1200 mm	1x	-	-	-	1x	BPZ-SFB-1200	-	1x
Floor-standing enclosure 1000 mm	-	-	1x	1x	-	-	1x	-
Floor-standing enclosure 1200 mm	-	-	-	3x	-	-	2x	-
Floor-standing enclosure 1200 mm	-	-	2x	-	-	-	1x	-
Floor-standing enclosure 1200 mm	-	1x	-	1x	-	-	1x	-

\*) See example of application



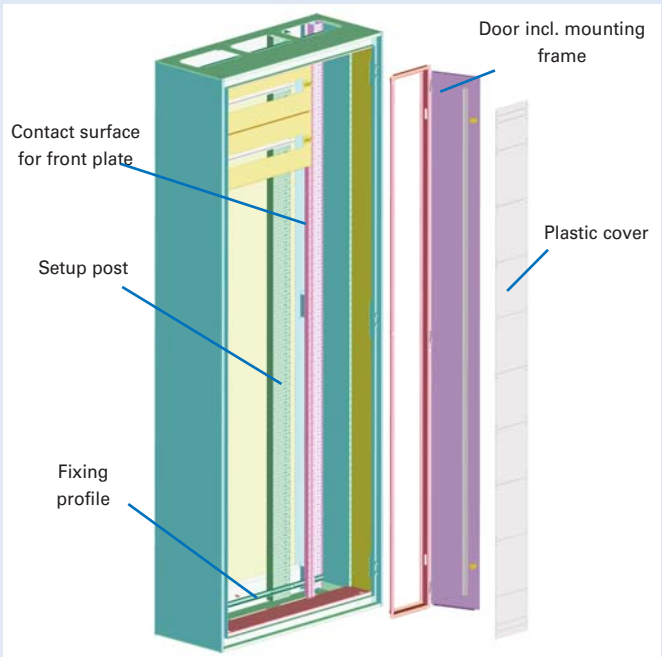
Example of application  
(wall-mounted enclosure IP54  
in a width of 1000 mm  
with a divided setup  
400 / 400 / 200 mm)

# Distribution Boards

## Set for Internal Cable Area available as a Complete Kit, BPZ-ICD-..

- Suitable for wall-mounted (height 15) and floor-standing enclosures, each of them can be realised in a width of 800 and 1000 mm
- The cable area can either be mounted on the left or on the right side of the enclosure
- The door is right-hinged and pivoting, removable when necessary
- The metal door makes contact with the enclosure
- The plastic cover serves as an additional protection when the door to the cable area is open
- Material
  - Fixing profiles: Sheet steel (2 mm), galvanized
  - Setup post: Sheet steel (1.5 mm), galvanized
  - Contact surface for front plate: Sheet steel (1.5 mm), galvanized
  - Door/frame: Sheet steel (1.5 mm), powder-coated, RAL 7035
  - Plastic cover: 2 mm PVC, transparent
- Scope of delivery: 2 Fixing profiles (for top and bottom), 1 setup post, 1 contact surface for front plate, 1 door incl. mounting frame, 1 plastic cover, mounting accessories

Example of application (floor-standing enclosure IP54 in a width of 800 mm incl. cable area of 200 mm)





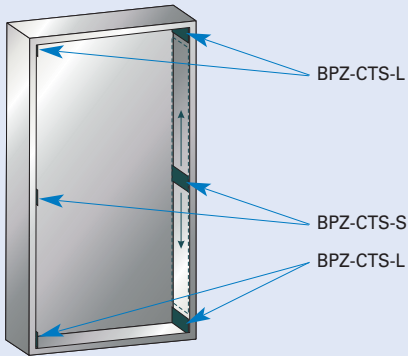
# Distribution Boards

## Front Plate Support, BPZ-FPS

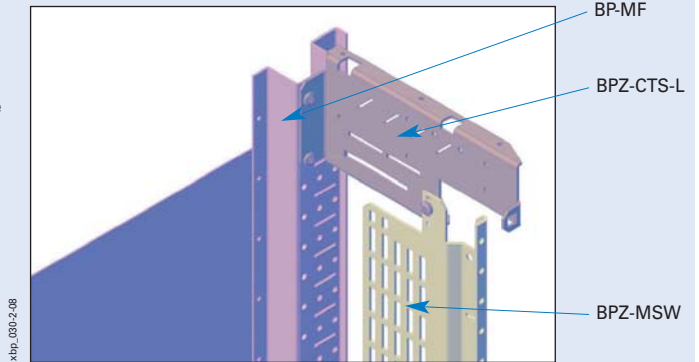
- For fixing the front plates
- Mounting of front plates without using BPZ-MSW
- Enables combination of an installation section with and without MSW in one board
- For mounting of floor standing distribution boards flexible assembly BP-F...F
- Material: 2mm sheet steel, galvanized
- Scope of delivery: 1 Pair of front plate supports, fixing material

## Corner tower set, BPZ-CTS

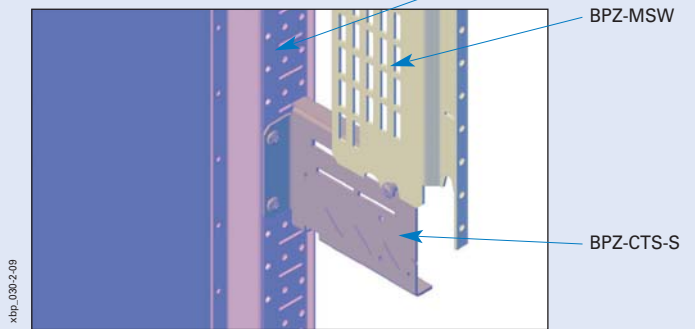
- Mounted directly on the system perforation pattern of the base frame BP-MF
- For fixing the terminal support bar BPZ-TSB
- For fixing the mounting side walls BPZ-MSW
- If towers BPZ-CTS-S are mounted for short side walls BPZ-MSW, it is necessary to pay attention to correct orientation of the towers. The square cutout in tower bend has to be on the other side to BPZ-MSW.
- Scope of delivery: 1 pair of towers (for left and right side), fixing material
- Mounting position:



Detail



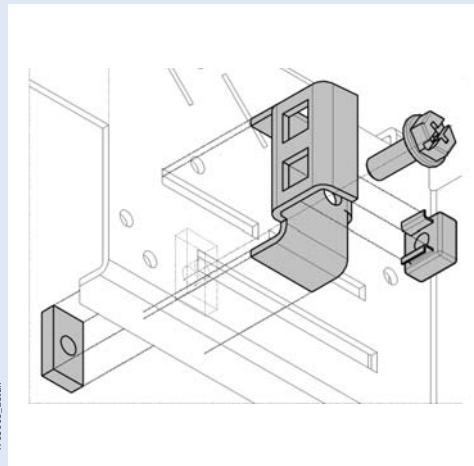
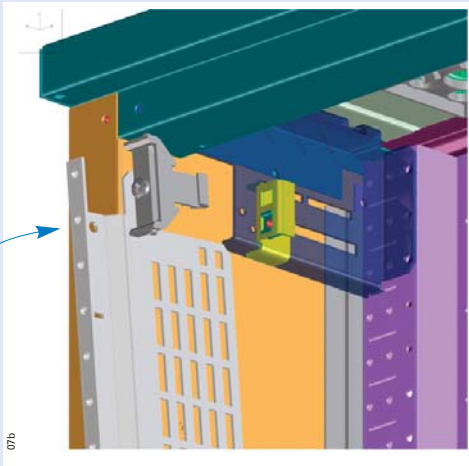
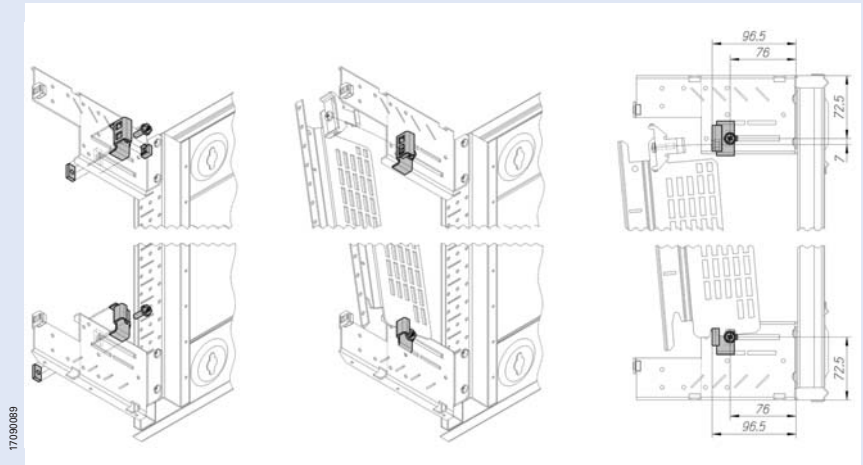
Detail



# Distribution Boards

## Set, BPZ-SNAP-MSW-CTS

- Designed for comfort inserting and fixing BPZ-MSW with use BPZ-SNAP to board
- Used for surface mounted boards BP-O, BPM-O and floor-standing boards BP-F, BPM-F
- Set contains top and bottom parts

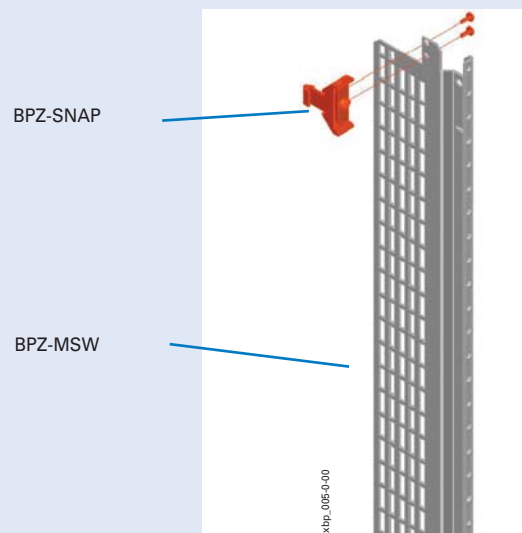


## Mounting side walls, BPZ-MSW

- Designed for comfort inserting and fixing BPZ-MSW with use BPZ-SNAP to board
- Mounting side walls for flush mounting boards
- Can be used also for surface mounting or floor standing boards for comfortable mounting of installation devices
- Enables mounting of inside equipment including electrical connection outside the board
- Material:  
Sheet steel, zinc-coated
- Scope of delivery: 2 mounting side walls

## Auxiliary pawl, BPZ-SNAP

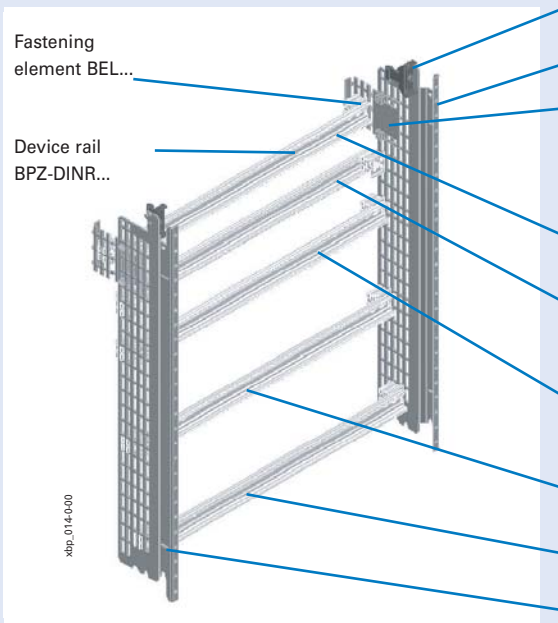
- Necessary for mounting of the BPZ-MSW frame into flush mounting boards
- Scope of delivery: 2 pawls



# Distribution Boards

## Applications of mounting frame, BPZ-MSW

### Applications of device rails



Pawl BPZ-SNAP

Side walls BPZ-MSW...

Depth strap TIW-1: Can be mounted into flush mounted boards with wall box of depth 240 mm only. Enables increase of installation depth. Fits also in all other distribution boards.

Attention: depth strap has to be mounted from inner side of side wall with inward bend. In different case it is not possible to mount wall box of flush mounted board.

Device rail in depth (2) mounted with TIW-1 – mounting of devices under the frontplate (e.g. contactors, input/output terminals, N/PE terminals etc.)

Device rail in depth (5) mounting onto rear side of BEL - mounting of devices under the frontplate (e.g. contactors, input/output terminals, N/PE terminals etc.)

Device rail in depth (5) - mounting of devices under the frontplate (e.g. contactors, input/output terminals, N/PE terminals etc.)

Device rail in depth (4) - mounting of power devices, e.g. MCCBs NZM1 with NZM1-XC35 adaptor.

Device rail in depth (2) - mounting of standard modular devices under front plate with 45 mm device cutout

Cutout corresponding to mounting height of device rail 100 mm

## Door Support bar, BPZ-TP

- For strengthen the door
- Support assembly units in the door in combination with C-Profil rail BPZ-CP-TP1,2
- Material:  
Sheet steel (1 mm), powder coated RAL 7035

IP30-AP (BP-O, BP-F...(-P))					
H \ B	400	600	800	1000	1200
4	2Stk BPZ-TP-4	2Stk BPZ-TP-4	2Stk BPZ-TP-4		
7	2Stk BPZ-TP-7	2Stk BPZ-TP-7	2Stk BPZ-TP-7		
10	2Stk BPZ-TP-10	2Stk BPZ-TP-10	1Stk BPZ-TP-10	2Stk+2Stk BPZ-TP-10	
12	2Stk BPZ-TP-12	1Stk BPZ-TP-12	1Stk BPZ-TP-12	1Stk+2Stk BPZ-TP-12	1Stk+1Stk BPZ-TP-12
15	2Stk BPZ-TP-15	1Stk BPZ-TP-15	1Stk BPZ-TP-15	1Stk+2Stk BPZ-TP-15	1Stk+1Stk BPZ-TP-15
17	0Stk BPZ-TP-17	0Stk BPZ-TP-17	0Stk BPZ-TP-17	0Stk+0Stk BPZ-TP-17	0Stk+0Stk BPZ-TP-17
20	0Stk BPZ-TP-20	0Stk BPZ-TP-20	0Stk BPZ-TP-20	0Stk+0Stk BPZ-TP-20	0Stk+0Stk BPZ-TP-20

IP30, IP43, IP54-UP (BP(A;M)-U-3S...(-P))					
H \ B	400	600	800	1000	1200
4	2Stk BPZ-TP-4	2Stk BPZ-TP-4			
7	2Stk BPZ-TP-7	2Stk BPZ-TP-7	2Stk BPZ-TP-7		
10	1Stk BPZ-TP-10	1Stk BPZ-TP-10	1Stk BPZ-TP-10	1Stk+1Stk BPZ-TP-10	
12	1Stk BPZ-TP-12	1Stk BPZ-TP-12	1Stk BPZ-TP-12	1Stk+1Stk BPZ-TP-12	1Stk+1Stk BPZ-TP-12
15		1Stk BPZ-TP-15	1Stk BPZ-TP-15	1Stk+1Stk BPZ-TP-15	1Stk+1Stk BPZ-TP-15
17		1Stk BPZ-TP-17	1Stk BPZ-TP-17	1Stk+1Stk BPZ-TP-17	1Stk+1Stk BPZ-TP-17
20		1Stk BPZ-TP-20	1Stk BPZ-TP-20	1Stk+1Stk BPZ-TP-20	1Stk+1Stk BPZ-TP-20

IP54-AP (BPM-O...(-P), BPM-F...(-P))					
H \ B	400	600	800	1000	1200
4	0Stk BPZ-TP-4	0Stk BPZ-TP-4	0Stk BPZ-TP-4		
7	0Stk BPZ-TP-7	0Stk BPZ-TP-7	0Stk BPZ-TP-7		
10	0Stk BPZ-TP-10	0Stk BPZ-TP-10	0Stk BPZ-TP-10	0Stk+0Stk BPZ-TP-10	
12	0Stk BPZ-TP-12	0Stk BPZ-TP-12	0Stk BPZ-TP-12	0Stk+0Stk BPZ-TP-12	0Stk+0Stk BPZ-TP-12
15	0Stk BPZ-TP-15	0Stk BPZ-TP-15	0Stk BPZ-TP-15	0Stk+0Stk BPZ-TP-15	0Stk+0Stk BPZ-TP-15
17	0Stk BPZ-TP-17	0Stk BPZ-TP-17	0Stk BPZ-TP-17	0Stk+0Stk BPZ-TP-17	0Stk+0Stk BPZ-TP-17
20	0Stk BPZ-TP-20	0Stk BPZ-TP-20	0Stk BPZ-TP-20	0Stk+0Stk BPZ-TP-20	0Stk+0Stk BPZ-TP-20

BPZ\_TP\_Mainix

xEnergy  
Basic

# Distribution Boards

## Separation horizontal, BPZ-AS

- Only for MSW application
- For creating a horizontal section within the board
- Metal base frame with plastic insert

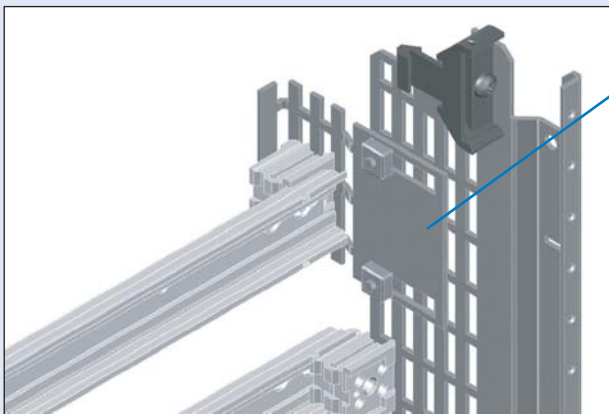
## Separation, BPZ-ASMF

- Mounted on main frame
- For creating a horizontal section within the board
- Mounted horizontal with knock-outs

## Depth Straps, TIW

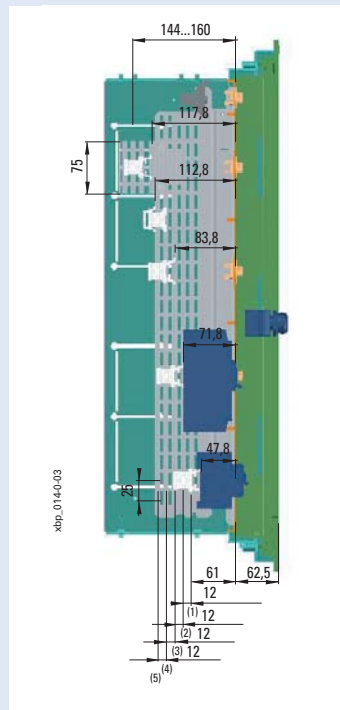
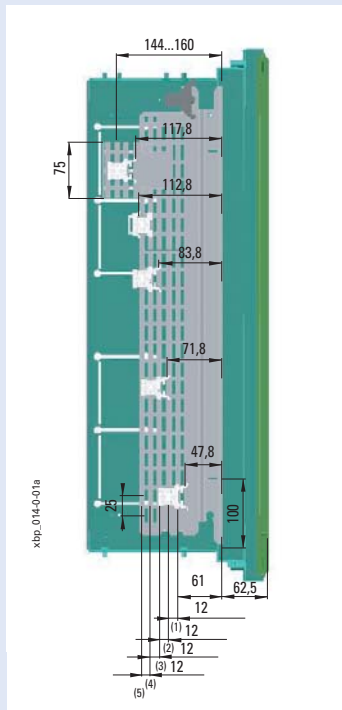
- For assembling of mounting plates deeper than it is possible with BPZ-MSW itself

### Detail of assembly of TIW-1



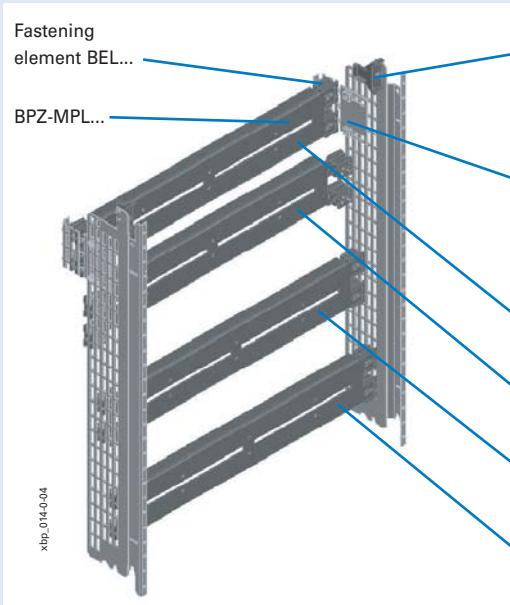
Depth strap TIW-1: Can be mounted into flush mounted boards with wall box of depth 240 mm only.  
Attention: depth strap has to be mounted form inner side of side wall with inward bend. In different case it is not possible to mount wall box of flush mounted board.

For surface mounted boards, floor standing boards, the depth strap TIW-1 can be in initial position only.



# Distribution Boards

## Applications of mounting plates



Pawl BPZ-SNAP

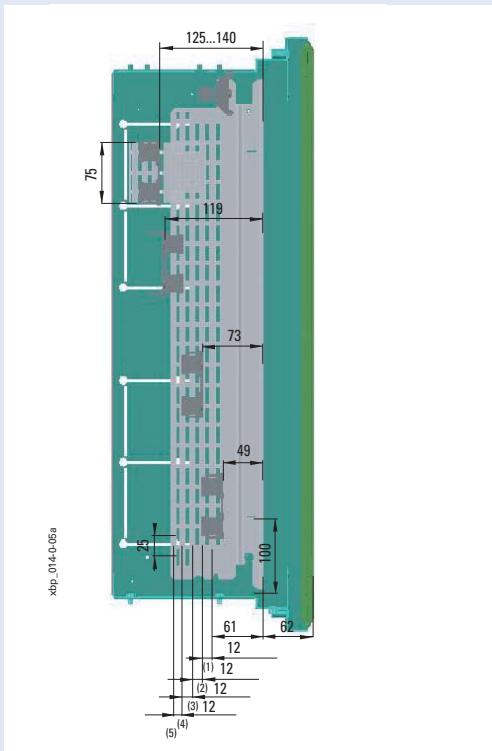
Depth strap TIW-1: Can be mounted into flush mounted boards with wall box of depth 240 mm only. Also in all other distribution boards.  
Attention: depth strap has to be mounted from inner side of side wall with inward bend. In different case it is not possible to mount wall box of flush mounted board.

Mounting plate in depth (2) mounted with TIW-1 – mounting of devices under frontplate (e.g. measuring, N/PE terminals, contactors)

Mounting plate in depth (5) mounting onto rear side of BEL - mounting of devices (e.g. MCCBs NZM2)

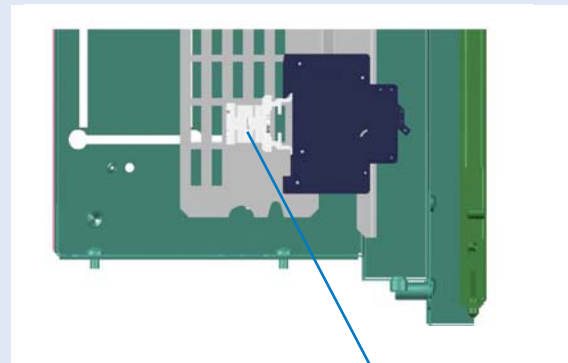
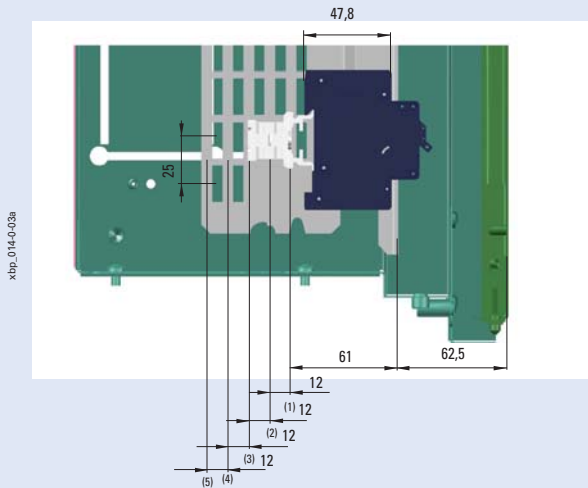
Mounting plate in depth (3) - mounting of devices (e.g. MCCBs NZM1)

Mounting plate in depth (1) - mounting of devices (e.g. fuse disconnectors)



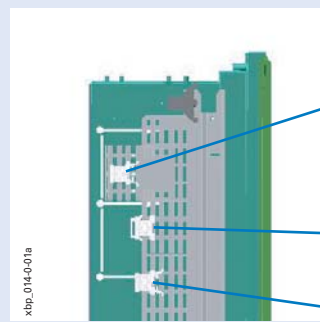
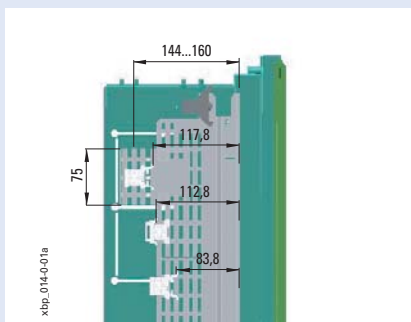
# Distribution Boards

## Mounting of devices with a possibility of controlling



Device rail in depth (2)

## Mounting of devices under frontplate (e.g. contactors without a possibility of manual controlling)

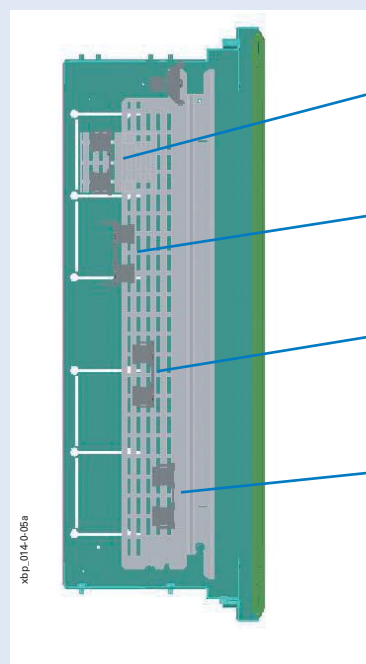
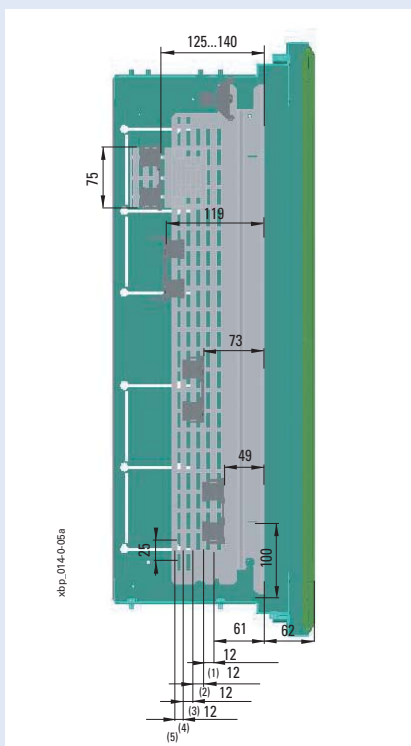


Device rail in depth (2) mounted with TIW-1 (mounting depth can be smoothly adjusted)

Device rail in depth (5) mounting onto rear side of BEL

Device rail in depth (5)

## Mounting of devices onto mounting plate



Device rail in depth (1) mounted with TIW-1 (devices with high installation depth, mounting depth can be smoothly adjusted)

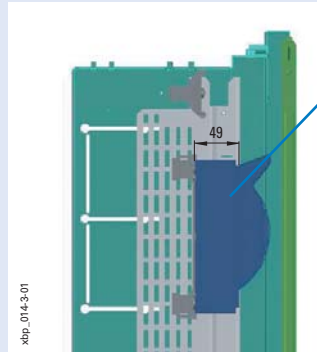
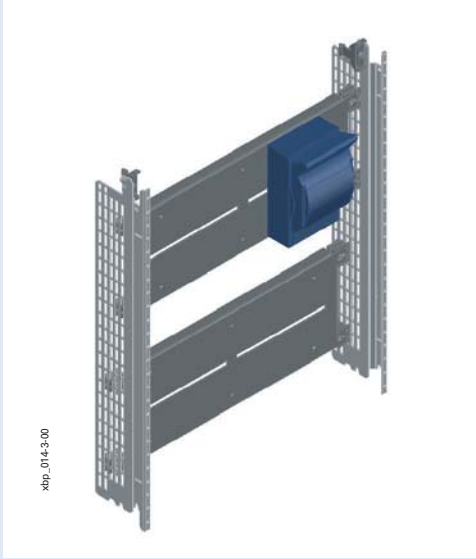
Mounting plate in depth (5) mounted onto turned BEL (devices with high installation depth)

Mounting plate in depth (3) (devices with medium installation depth)

Mounting plate in depth (1) (devices with low installation depth)

# Distribution Boards

## Mounting of fuse disconnectors LTS



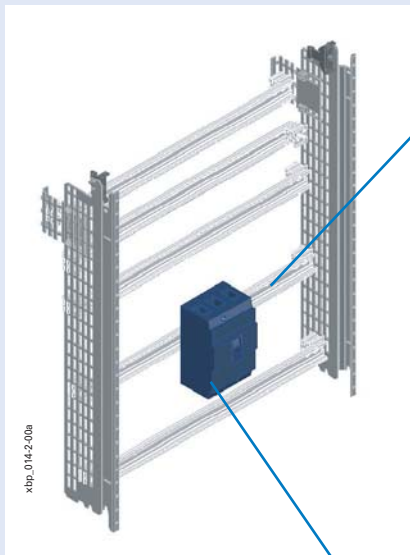
Fuse disconnector size 00:  
Mounting plate BPZ-MPL180-...  
in depth (1) (mounting depth  
49 mm)

Fuse disconnector size 1:  
Mounting plate BPZ-MPL350-...  
in depth (3) (mounting depth  
73 mm)

Fuse disconnector size 2:  
Mounting plate BPZ-MPL350-...  
in depth (4) (mounting depth  
85 mm)

## Mounting of moulded case circuit breakers NZM1

- Mounting sets BPZ-NZM...-MSW are recommended for mounting of single breakers NZM1 and NZM2 into flush mounting boards



Mounting onto device rail in depth (4) (the breaker is fastened with adaptor NZM1-XC35).

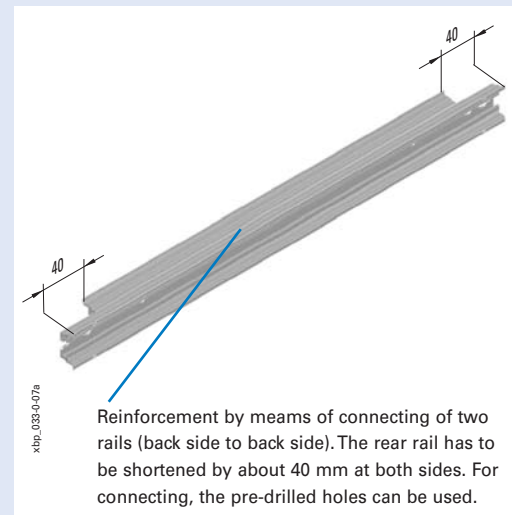
It is necessary to pay attention to mechanical load of device rail – dangerous of twisting if more MCCBs is installed.

In this case it is recommended to use reinforcement by means of another device rail (mounted behind the first one, the rear second rail has to be shortened appropriately).

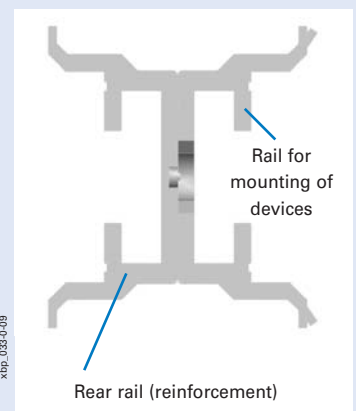
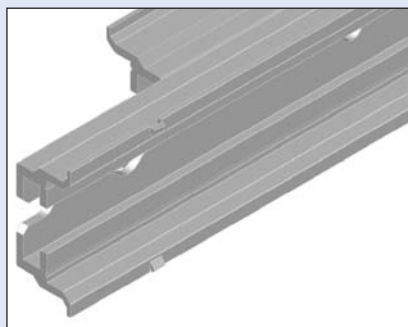
To cover, a front plate BPZ-FP...-45 with 45 mm cutout can be used.

NZM1

## Reinforcement of the device rail



## Detail



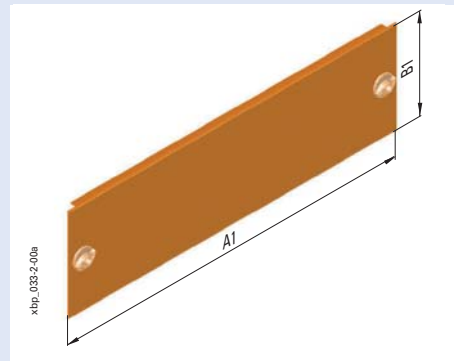
# Distribution Boards

## Front plates blind, BPZ-FP...-BL

- To cover spare areas or to protect areas in use
- Material: sheet steel, powder-coated, RAL 7035 or RAL 9016
- Metal front plates with automatic connection to the enclosure
- Scope of delivery: 1 front plate

### Dimensions [mm]

Type	Outside dimensions	
	Width A1	Height B1
BPZ-FP-400/...-BL	320	50, 100, 150, 200, 250, 300
BPZ-FP-600/...-BL	520	50, 100, 150, 200, 250, 300
BPZ-FP-800/...-BL	720	50, 100, 150, 200, 250, 300
BPZ-FP-1000/...-BL	920	50, 100, 150, 200, 250, 300
BPZ-FP-1200/...-BL	1120	50, 100, 150, 200, 250, 300

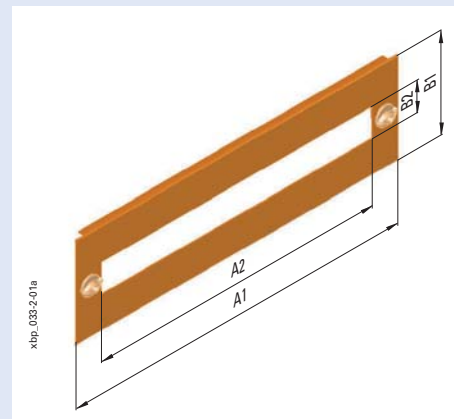


## Front plates with 45 mm device cutout, BPZ-FP...-45

- To cover areas accommodating switchgear
- Material: sheet steel, powder-coated, RAL 7035 or RAL 9016
- Metal front plates with automatic connection to the enclosure
- Scope of delivery: 1 front plate

### Dimensions [mm]

Type	Outside dimensions		Inside dimensions		TE
	Width A1	Height B1	Width A2	Height B2	
BPZ-FP-400/...-45	320	150, 200	238	46	13
BPZ-FP-600/...-45	520	150, 200	438	46	24
BPZ-FP-800/...-45	720	150, 200	638	46	35
BPZ-FP-1000/...-45	920	150, 200	838	46	46
BPZ-FP-1200/...-45	1120	150, 200	1038	46	57

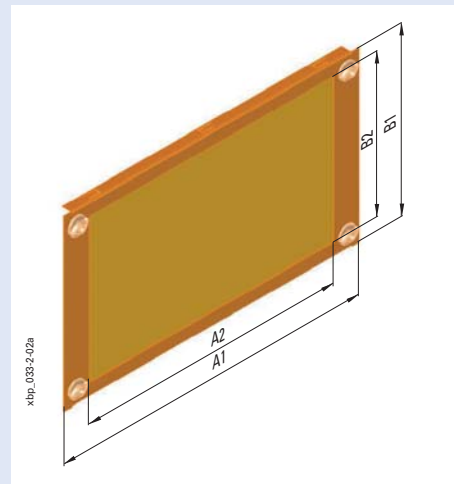


## Front plates sheet steel with plastic insert, BPZ-FPP...-BL

- Material: sheet steel, powder-coated, RAL 7035 or RAL 9016
- Metal front plates with automatic connection to the enclosure
- Material of plastic insert: 2mm PVC, similar to RAL 7035
- Scope of delivery: 1 front plate

### Dimensions [mm]

Type	Outside dimensions		Inside dimensions	
	Width A1	Height B1	Width A2	Height B2
BPZ-FPP-400/150-BL	320	150	230	90
BPZ-FPP-400/300-BL	320	300	230	254
BPZ-FPP-600/150-BL	520	150	430	90
BPZ-FPP-600/300-BL	520	300	430	254
BPZ-FPP-600/500-BL	520	500	430	454
BPZ-FPP-800/150-BL	720	150	630	90
BPZ-FPP-800/300-BL	720	300	630	254
BPZ-FPP-800/500-BL	720	500	630	454
BPZ-FPP-1000/150-BL	920	150	830	90
BPZ-FPP-1000/300-BL	920	300	830	254
BPZ-FPP-1000/500-BL	920	500	830	454
BPZ-FPP-1200/150-BL	1120	150	1030	90
BPZ-FPP-1200/300-BL	1120	300	1030	254
BPZ-FPP-1200/500-BL	1120	500	1030	454

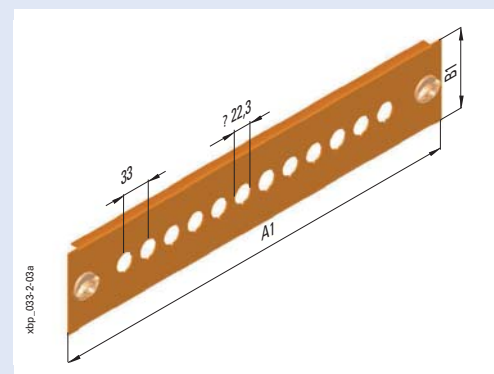


## Front plates for command devices RMQ-Titan, BPZ-FP...-RMQ

- Material: sheet steel, powder-coated, RAL 7035 or RAL 9016
- Metal front plates with automatic connection to the enclosure
- Scope of delivery: 1 front plate

### Dimensions [mm]

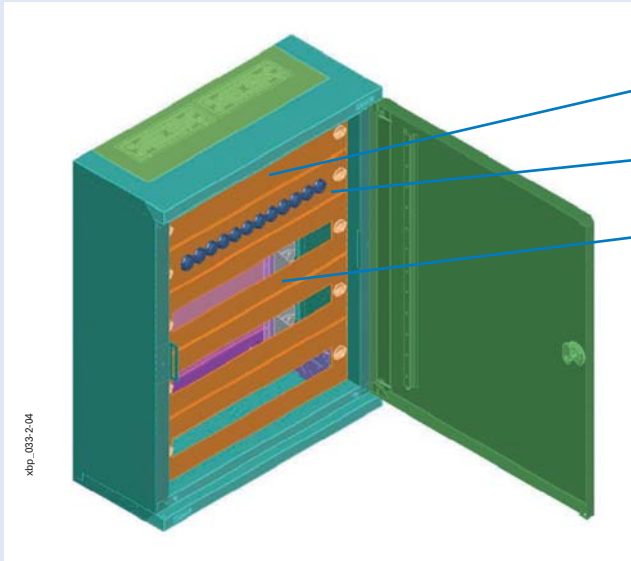
Type	Outside dimensions		Amount of supports for RMQ
	Width A1	Height B1	
BPZ-FP-400/100-RMQ	320	100	7
BPZ-FP-600/100-RMQ	520	100	12





# Distribution Boards

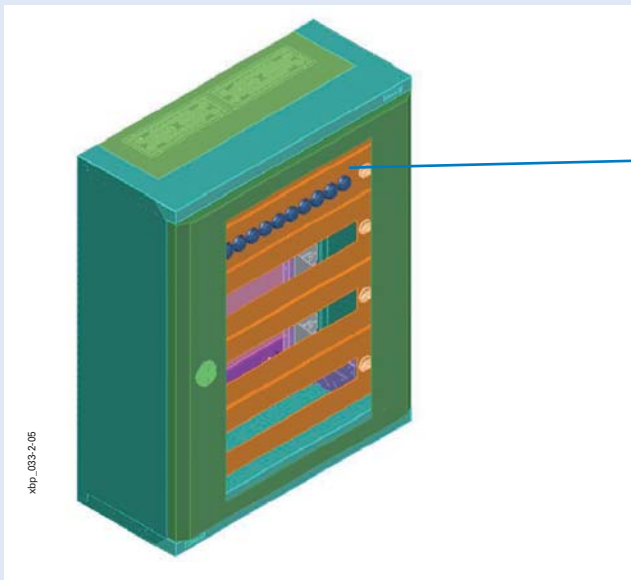
## Examples of application of front plates



Front plate blind  
BPZ-FP...-BL

Front plate with command  
devices RMO-Titan

Front plate with device  
cutout BPZ-FP...-45



Glass door – command and  
control devices RMO-Titan  
mounted on front plate

### Detail



Rear view of self-earthing seal.  
Conductive connection of the front plates  
with frame is type tested.



# Distribution Boards

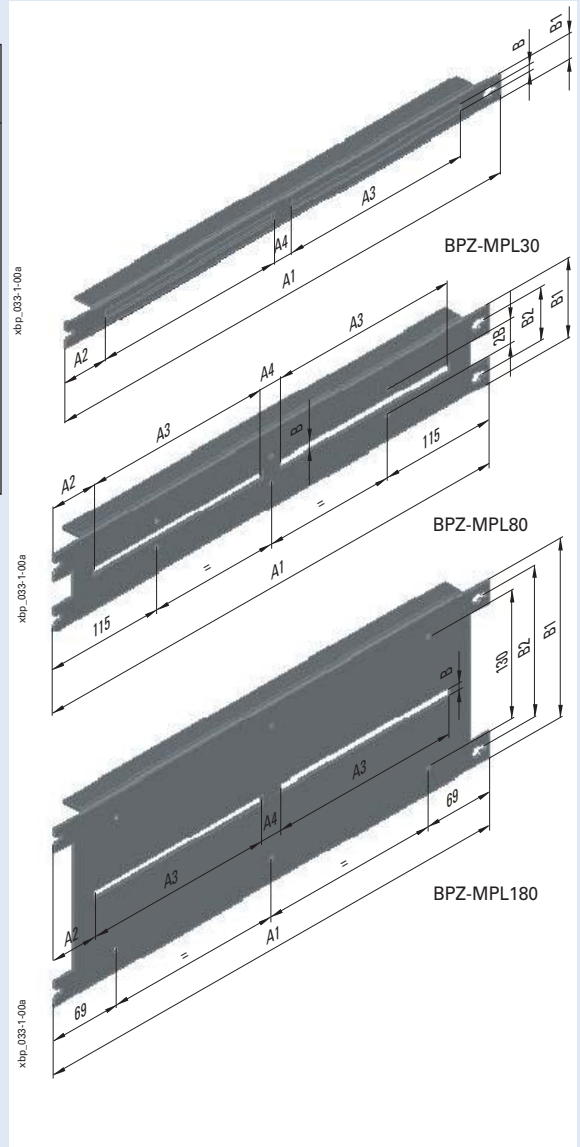
## Universal mounting plates BPZ-MPL

- For mounting busbar supports and many other devices
- Material: sheet steel (2 mm), zinc-coated
- Scope of delivery: 1 mounting plate, fixing material

### Dimensions [mm]

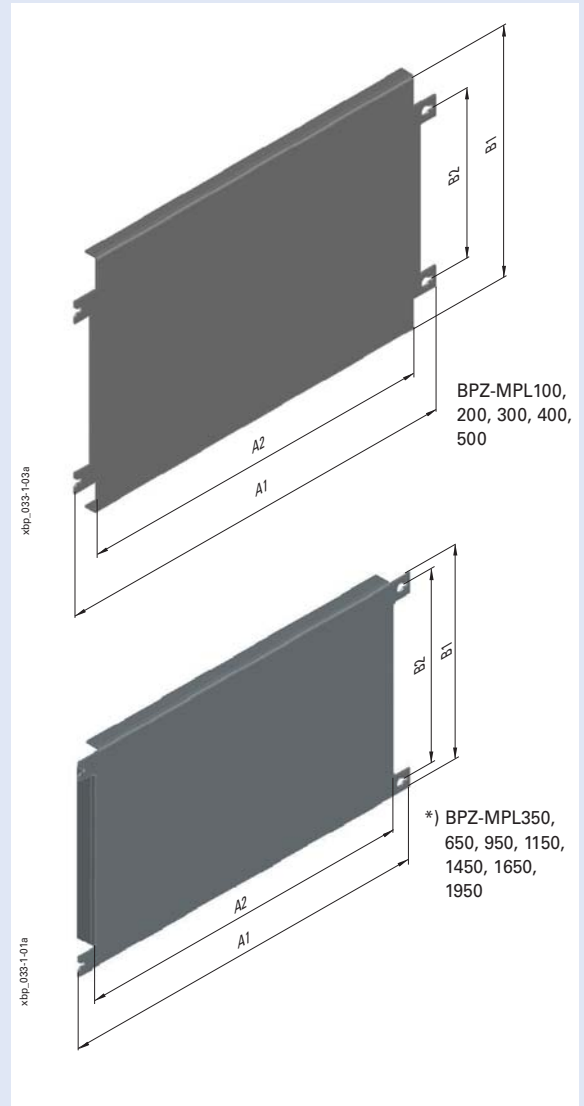
Type	Width				Height			Number of BEL elements on the side
	A1	A2	A3	A4	B1	B2	B	
BPZ-MPL30-400	288	49	190	20	30	0	8	2
BPZ-MPL30-600	488	44	190	20	30	0	8	2
BPZ-MPL30-800	688	46,5	185	20	30	0	8	2
BPZ-MPL30-1000	888	44	185	20	30	0	8	2
BPZ-MPL30-1200	1088	41,5	185	20	30	0	8	2
BPZ-MPL80-400	288	49	190	20	80	50	8	4
BPZ-MPL80-600	488	44	190	20	80	50	8	4
BPZ-MPL80-800	688	46,5	185	20	80	50	8	4
BPZ-MPL80-1000	888	44	185	20	80	50	8	4
BPZ-MPL80-1200	1088	41,5	185	20	80	50	8	4
BPZ-MPL180-400	288	49	190	20	180	150	8	4
BPZ-MPL180-600	488	44	190	20	180	150	8	4
BPZ-MPL180-800	688	46,5	185	20	180	150	8	4
BPZ-MPL180-1000	888	44	185	20	180	150	8	4
BPZ-MPL180-1200	1088	41,5	185	20	180	150	8	4

The cut-outs in the center of the mounting plate is used as a using with cage nuts.



# Distribution Boards

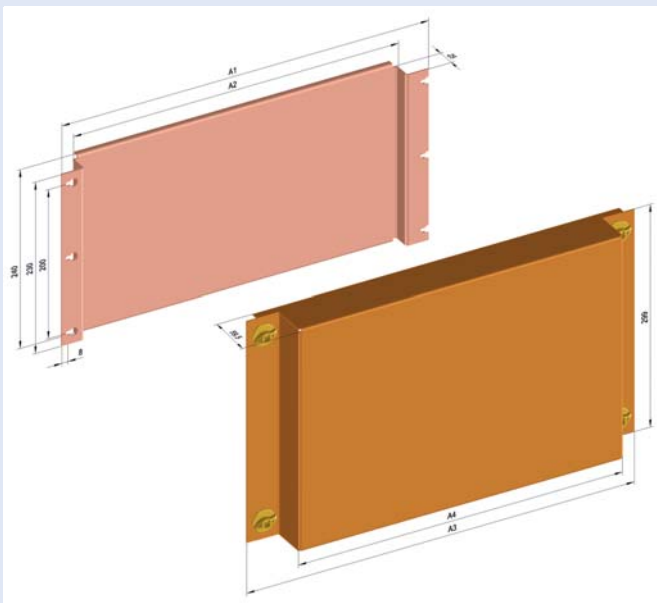
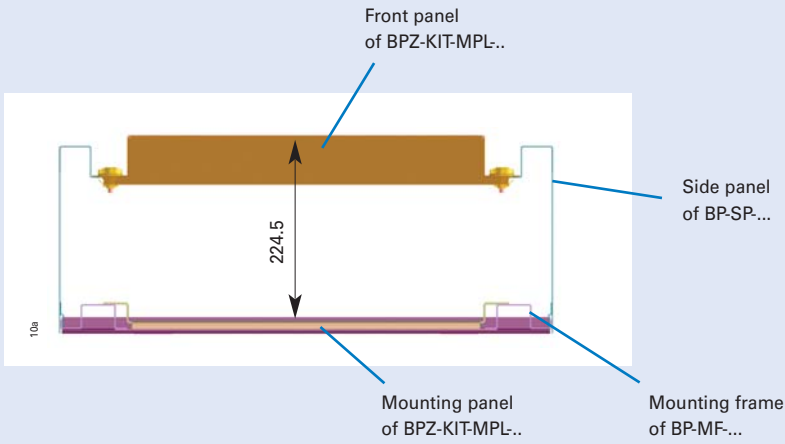
Type	Width		Height		Number of BEL elements on the side
	A1	A2	B1	B2	
BPZ-MPL100-400	288	246	100	50	4
BPZ-MPL100-425	313	253	100	50	4
BPZ-MPL100-600	488	446	100	50	4
BPZ-MPL100-800	688	648	100	50	4
BPZ-MPL100-1000	888	846	100	50	4
BPZ-MPL100-1200	1088	1046	100	50	4
BPZ-MPL200-400	288	246	200	150	4
BPZ-MPL200-425	313	253	200	150	4
BPZ-MPL200-600	488	446	200	150	4
BPZ-MPL200-800	688	648	200	150	4
BPZ-MPL200-1000	888	846	200	150	4
BPZ-MPL200-1200	1088	1046	200	150	4
BPZ-MPL300-400	288	246	300	200	4
BPZ-MPL300-425	313	253	300	200	4
BPZ-MPL300-600	488	446	300	200	4
BPZ-MPL300-800	688	648	300	200	4
BPZ-MPL300-1000	888	846	300	200	4
BPZ-MPL300-1200	1088	1046	300	200	4
BPZ-MPL350-400	288	246	280	250	4
BPZ-MPL350-600	488	446	280	250	4
BPZ-MPL350-800	688	648	280	250	4
BPZ-MPL350-1000	888	846	280	250	4
BPZ-MPL350-1200	1088	1046	280	250	4
BPZ-MPL400-400	288	246	400	300	4
BPZ-MPL400-425	313	253	400	250	4
BPZ-MPL400-600	488	446	400	300	4
BPZ-MPL400-800	688	648	400	300	4
BPZ-MPL400-1000	888	846	400	300	4
BPZ-MPL400-1200	1088	1046	400	300	4
BPZ-MPL500-400	288	246	500	400	4
BPZ-MPL500-425	313	253	500	300	4
BPZ-MPL500-600	488	446	500	400	4
BPZ-MPL500-800	688	648	500	400	4
BPZ-MPL500-1000	888	846	500	400	4
BPZ-MPL500-1200	1088	1046	500	400	4
BPZ-MPL650-400	288	246	580	550	4
BPZ-MPL650-600	488	446	580	550	4
BPZ-MPL650-800	688	648	580	550	4
BPZ-MPL650-1000	888	846	580	550	4
BPZ-MPL650-1200	1088	1046	580	550	4
BPZ-MPL950-400	288	246	880	850	4
BPZ-MPL950-600	488	446	880	850	4
BPZ-MPL950-800	688	648	880	850	4
BPZ-MPL950-1000	888	846	880	850	4
BPZ-MPL950-1200	1088	1046	880	850	4
BPZ-MPL1150-400	288	246	1080	1050	4
BPZ-MPL1150-600	488	446	1080	1050	4
BPZ-MPL1150-800	688	648	1080	1050	4
BPZ-MPL1150-1000	888	846	1080	1050	4
BPZ-MPL1150-1200	1088	1046	1080	1050	4
BPZ-MPL1450-400	288	246	1380	1350	4
BPZ-MPL1450-600	488	446	1380	1350	4
BPZ-MPL1450-800	688	648	1380	1350	4
BPZ-MPL1450-1000	888	846	1380	1350	4
BPZ-MPL1450-1200	1088	1046	1380	1350	4
BPZ-MPL1650-400	288	246	1580	1550	6
BPZ-MPL1650-600	488	446	1580	1550	6
BPZ-MPL1650-800	688	648	1580	1550	6
BPZ-MPL1650-1000	888	846	1580	1550	6
BPZ-MPL1650-1200	1088	1046	1580	1550	6
BPZ-MPL1950-400	288	246	1880	1850	6
BPZ-MPL1950-600	488	446	1880	1850	6
BPZ-MPL1950-800	688	648	1880	1850	6
BPZ-MPL1950-1000	888	846	1880	1850	6
BPZ-MPL1950-1200	1088	1046	1880	1850	6



\*) Mounting plates are used principally as section height in the respective enclosure height!

# Distribution Boards

## Mouting set for maximum depth of board BPZ-KIT-MPL..

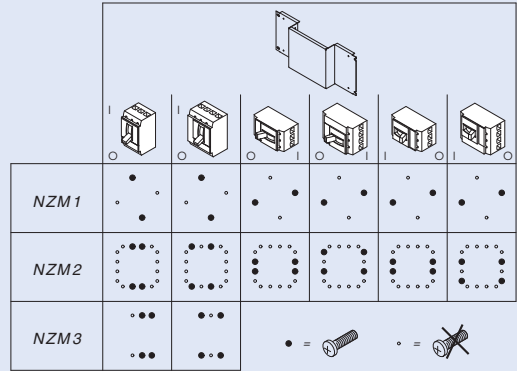


Type	A1	A2	A3	A4
BPZ-KIT-MPL-400	292	236	320	234.5
BPZ-KIT-MPL-600	492	436	520	434.5
BPZ-KIT-MPL-800	692	636	720	634.5
BPZ-KIT-MPL-1000	892	836	920	834.5
BPZ-KIT-MPL-1200	1092	1036	1120	1034.5

# Distribution Boards

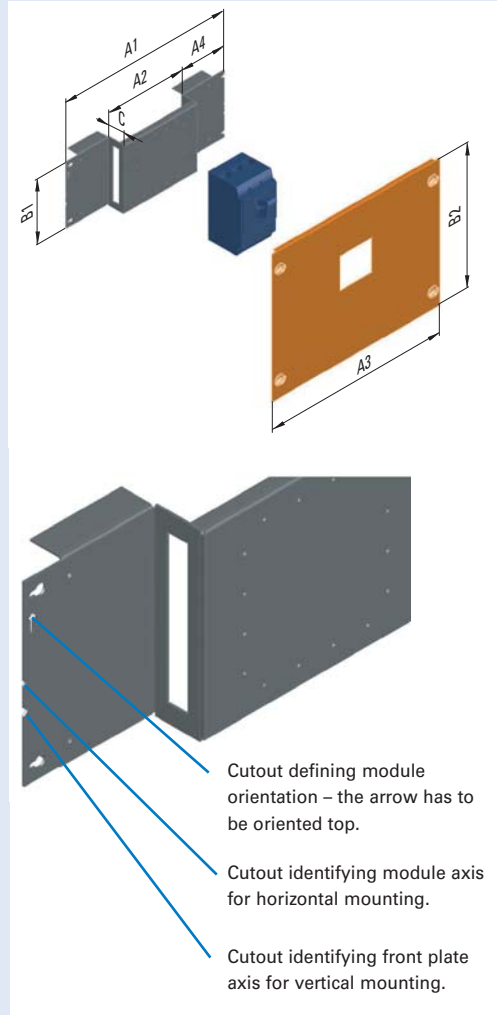
## Mounting sets BPZ-NZM for circuit breakers NZM

- Mounting sets BPZ-NZM... for mounting NZM1-3 circuit breakers (position of the breaker vertical or horizontal) for surface-mounted or floor-standing boards
- Material  
Front plate: sheet steel, powder-coated, RAL 7035 or RAL 9016  
Mounting plate: sheet steel (2 mm), zinc-coated
- Metal front plates with automatic connection to the enclosure
- Design ...-RH for breakers equipped with rotary door handle, suitable only for surface-mounted or floor-standing boards
- Scope of delivery: 1 mounting plate, 1 front plate, fixing material



## Dimensions [mm]

Type	Front plate		Mounting plate				
	Outside dims.		Outside dims.				
	Width	Height	Width	Height			
	A3	B2	A1	B1	A2	A4	C
BPZ-NZM1-400-MV	320	299	292	179	174	61	89.5
BPZ-NZM2-400-MV	320	399	292	179	230	33	54.5
BPZ-NZM3-400-MV	320	499	292	279	244	26	37
BPZ-NZM1-600-MV	520	299	492	179	174	161	89.5
BPZ-NZM2-600-MV	520	399	492	179	230	133	54.5
BPZ-NZM3-600-MV	520	499	492	279	244	126	37
BPZ-NZM1-800-MV	720	299	692	179	174	261	89.5
BPZ-NZM2-800-MV	720	399	692	179	230	233	54.5
BPZ-NZM3-800-MV	720	499	692	279	244	226	37
BPZ-NZM1-400-MH	320	199	292	179	74	61	89.5
BPZ-NZM2-400-MH	320	199	292	179	230	33	54.5
BPZ-NZM1-600-MH	520	199	492	179	174	161	89.5
BPZ-NZM2-600-MH	520	199	492	179	230	133	54.5
BPZ-NZM1-800-MH	720	199	692	179	174	261	89.5
BPZ-NZM2-800-MH	720	199	692	179	230	233	54.5
BPZ-NZM1/MSW-400-MV	320	299	288	185	174	57	16.5
BPZ-NZM2/MSW-400-MV	320	399	288	185	226	31	-18.5
BPZ-NZM1/MSW-600-MV	520	299	488	185	174	157	16.5
BPZ-NZM2/MSW-600-MV	520	399	488	185	226	131	-18.5
BPZ-NZM1/MSW-800-MV	720	299	688	185	174	257	16.5
BPZ-NZM2/MSW-800-MV	720	399	688	185	226	231	-18.5
BPZ-NZM1/MSW-600-MH	520	199	488	185	174	157	16.5
BPZ-NZM2/MSW-600-MH	520	199	488	185	226	131	-18.5
BPZ-NZM1/MSW-800-MH	720	199	688	185	174	257	16.5
BPZ-NZM2/MSW-800-MH	720	199	688	185	226	231	-18.5
BPZ-NZM1-400-MV-RH	320	299	292	179	174	61	54.5
BPZ-NZM2-400-MV-RH	320	399	292	179	230	33	19.5
BPZ-NZM3-400-MV-RH	320	499	292	279	244	26	0
BPZ-NZM1-600-MV-RH	520	299	492	179	174	161	54.5
BPZ-NZM2-600-MV-RH	520	399	492	179	230	133	19.5
BPZ-NZM1-800-MV-RH	720	299	692	179	174	261	54.5
BPZ-NZM2-800-MV-RH	720	399	692	179	230	233	19.5
BPZ-NZM1-600-MH-RH	520	199	492	179	174	161	54.5
BPZ-NZM2-600-MH-RH	520	199	492	179	230	133	19.5
BPZ-NZM1-800-MH-RH	720	199	692	179	174	261	54.5
BPZ-NZM2-800-MH-RH	720	199	692	179	230	233	19.5

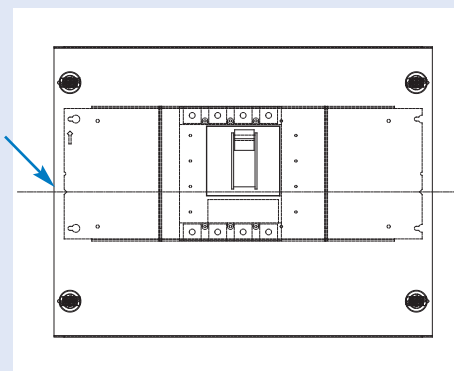
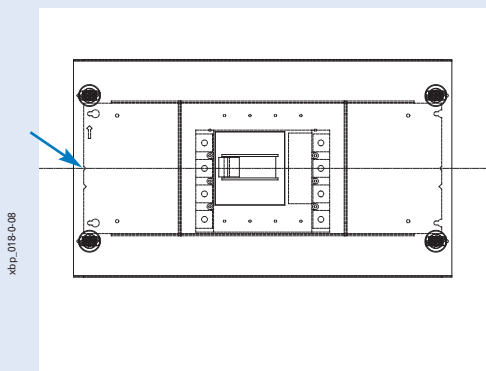


### Round cutout:

- identifies axis of the device module
- Identifies front plate axis for horizontal mounting

### Sharp cutout:

- identifies front plate axis for vertical mounting (position of the mounting plate is defined by the axis of the front plate)



# Distribution Boards

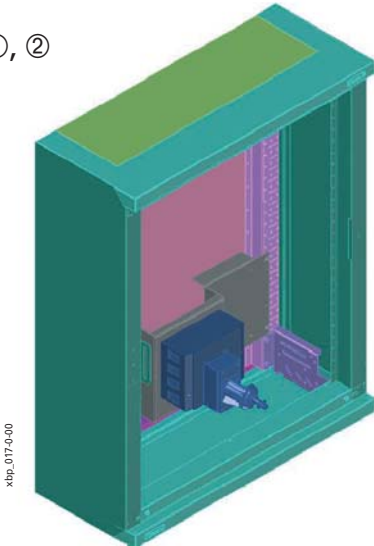
## Applications of mounting sets BPZ-NZM...-RH

- Example of utilisation in a surface-mounted board (can be used for floor-standing boards as well)

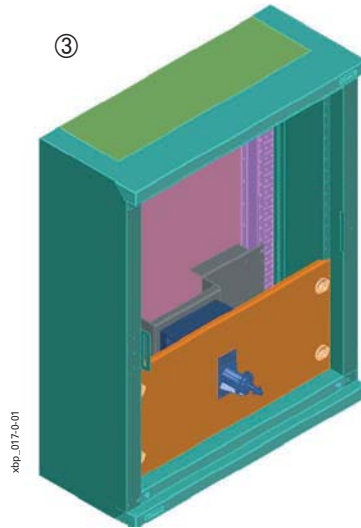
### Mounting process:

1. Fixing of a breaker onto mounting plate from the set
2. Installation of the mounting plate with the breaker into board
3. Fixing of the front plate
4. Mounting of the door coupling and rotary handle

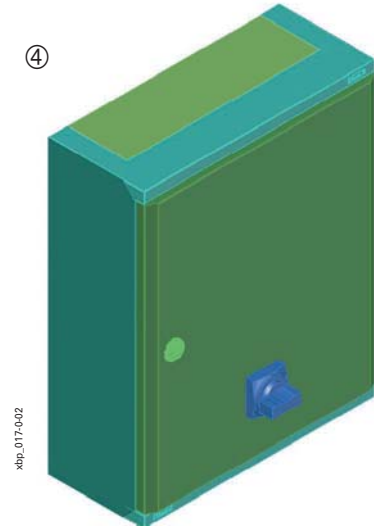
①, ②



③



④



# Distribution Boards

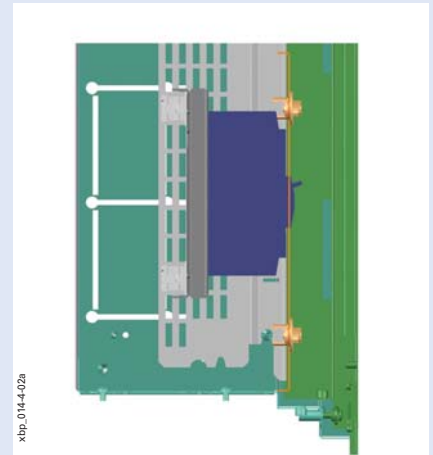
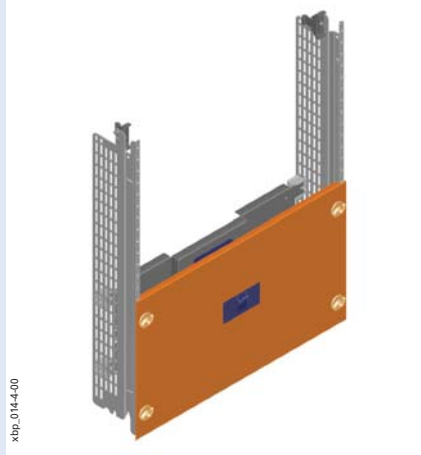
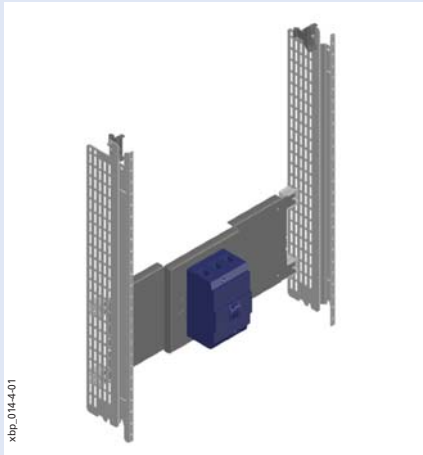
## Applications of mounting sets BPZ-NZM...-MSW

- For NZM breakers of type size 1 and 2
- Vertical or horizontal orientation of the breaker
- Mounting on to side walls BPZ-MSW by means of fastening elements BEL

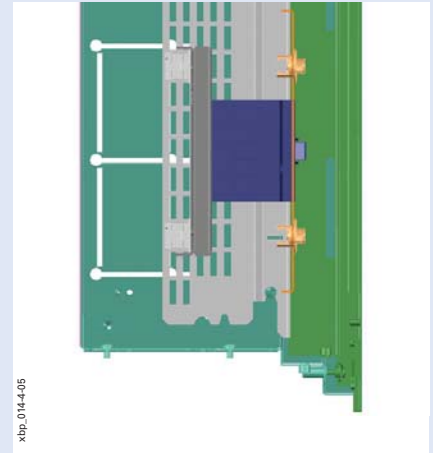
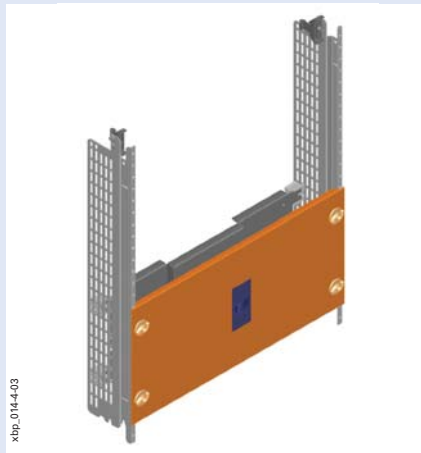
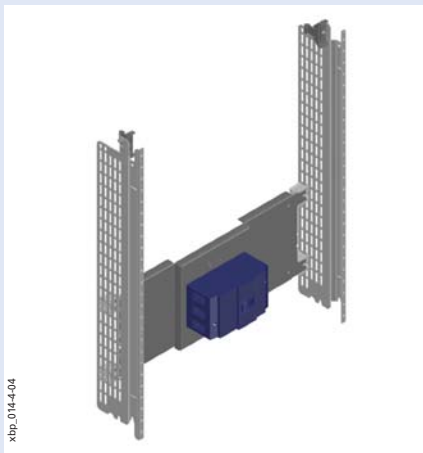
### Mounting process:

1. Fixing of a breaker onto mounting plate from the set
2. Installation of the mounting plate with the breaker into board by means of fastening elements BEL
3. Fixing of the front plate

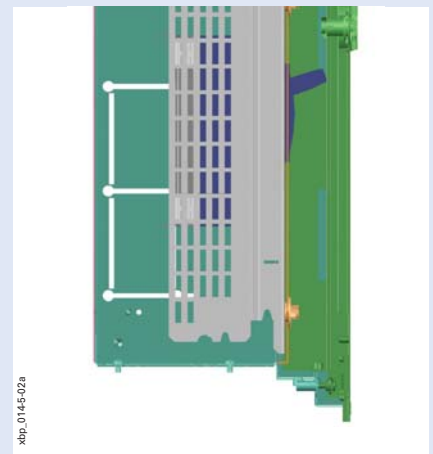
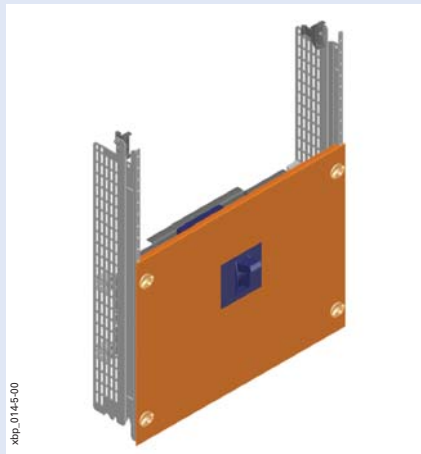
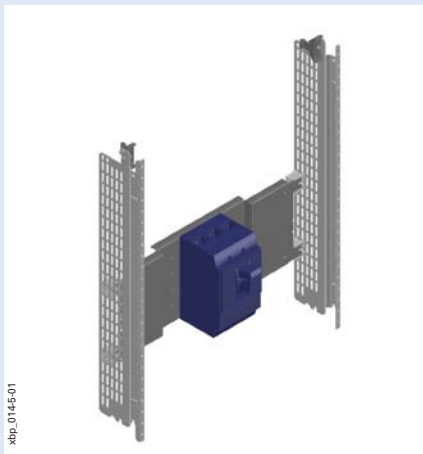
### NZM1 breaker, vertical orientation



### NZM1 breaker, horizontal orientation

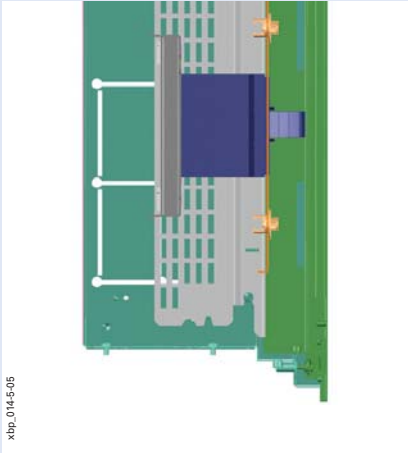
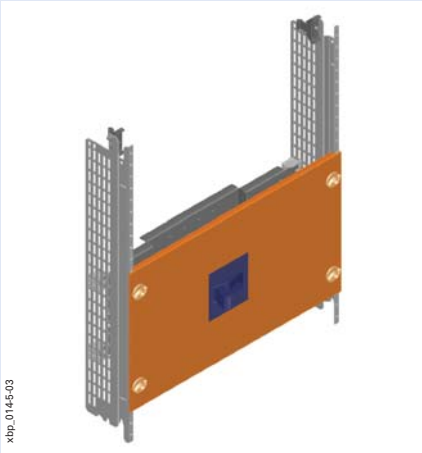
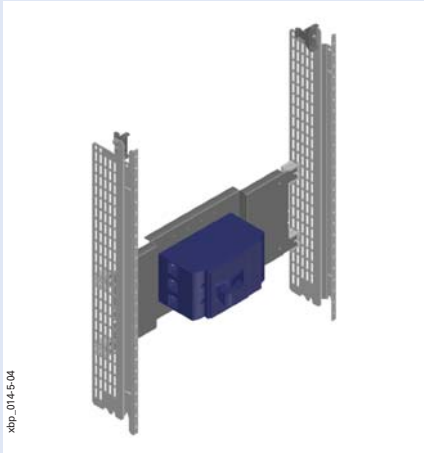


### NZM2 breaker, vertical orientation



# Distribution Boards

NZM2 breaker, horizontal orientation





# Distribution Boards

## Mounting Plate for Several Devices such as NZM, BPZ-MPL-NZM.....MV

- For mounting one or several NZM devices in a vertical position
- Suitable for wall-mounted and floor-standing enclosures with Profi+ mounting frame
- Material: Sheet steel (2 mm), galvanized
- Scope of delivery: 1 Mounting plate, mounting accessories

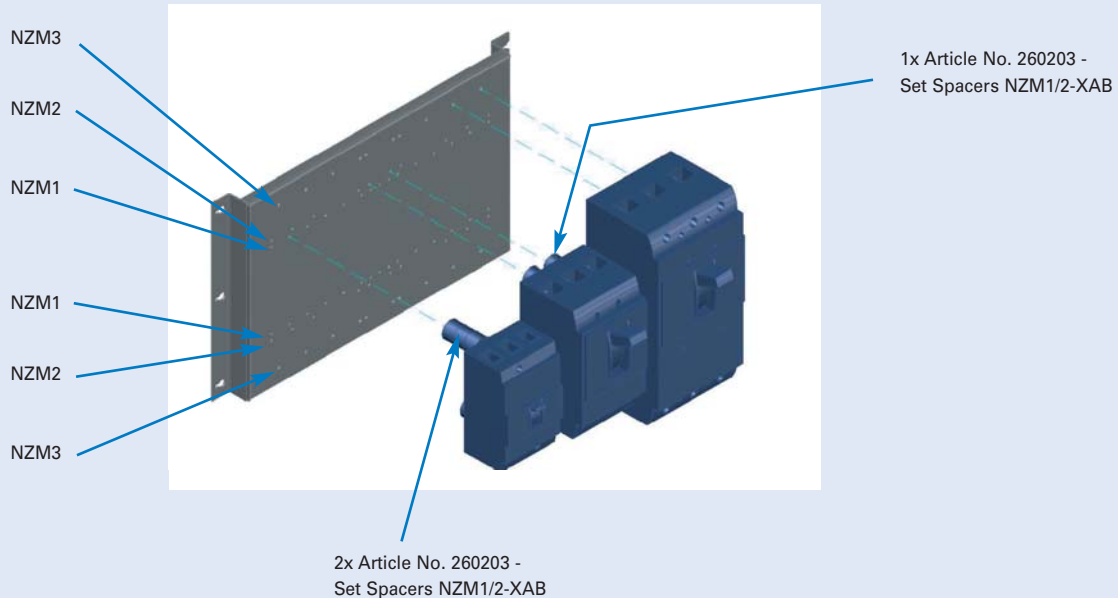
### Dimensions [mm]

Type	Max. number of 3-/4-pole NZMs *)	A1	A2	B1
BPZ-MPL-NZM1X-400-MV	2x NZM1 / 2x NZM1	292	232	160
BPZ-MPL-NZM1X-600-MV	4x NZM1 / 3x NZM1	492	432	160
BPZ-MPL-NZM1X-800-MV	7x NZM1 / 5x NZM1	692	632	160
BPZ-MPL-NZM1X-1000-MV	9x NZM1 / 6x NZM1	892	832	160
BPZ-MPL-NZM1X-1200-MV	11x NZM1 / 8x NZM1	1092	1032	160
BPZ-MPL-NZM2X-400-MV	2x NZM2 / -	292	232	185
BPZ-MPL-NZM2X-600-MV	3x NZM2 / 2x NZM2	492	432	185
BPZ-MPL-NZM2X-800-MV	4x NZM2 / 4x NZM2	692	632	185
BPZ-MPL-NZM2X-1000-MV	4x NZM2 / 4x NZM2	892	832	185
BPZ-MPL-NZM2X-1200-MV	4x NZM2 / 4x NZM2	1092	1032	185
BPZ-MPL-NZM3X-600-MV	2x NZM3 / 2x NZM3	492	432	285
BPZ-MPL-NZM3X-800-MV	3x NZM3 / 3x NZM3	692	632	285
BPZ-MPL-NZM3X-1000-MV	3x NZM3 / 3x NZM3	892	832	285
BPZ-MPL-NZM3X-1200-MV	3x NZM3 / 3x NZM3	1092	1032	285
BPZ-MPL-NZM4-600-MV-XVTL	1x NZM4 / 1x NZM4	518	432	260
BPZ-MPL-NZM4X-800-MV-XVTL	2x NZM4 / 2x NZM4	718	632	327
BPZ-MPL-NZM4X-1000-MV-XVTL	3x NZM4 / 2x NZM4	918	832	327

\*) Max. number depending on availability of suitable front plates

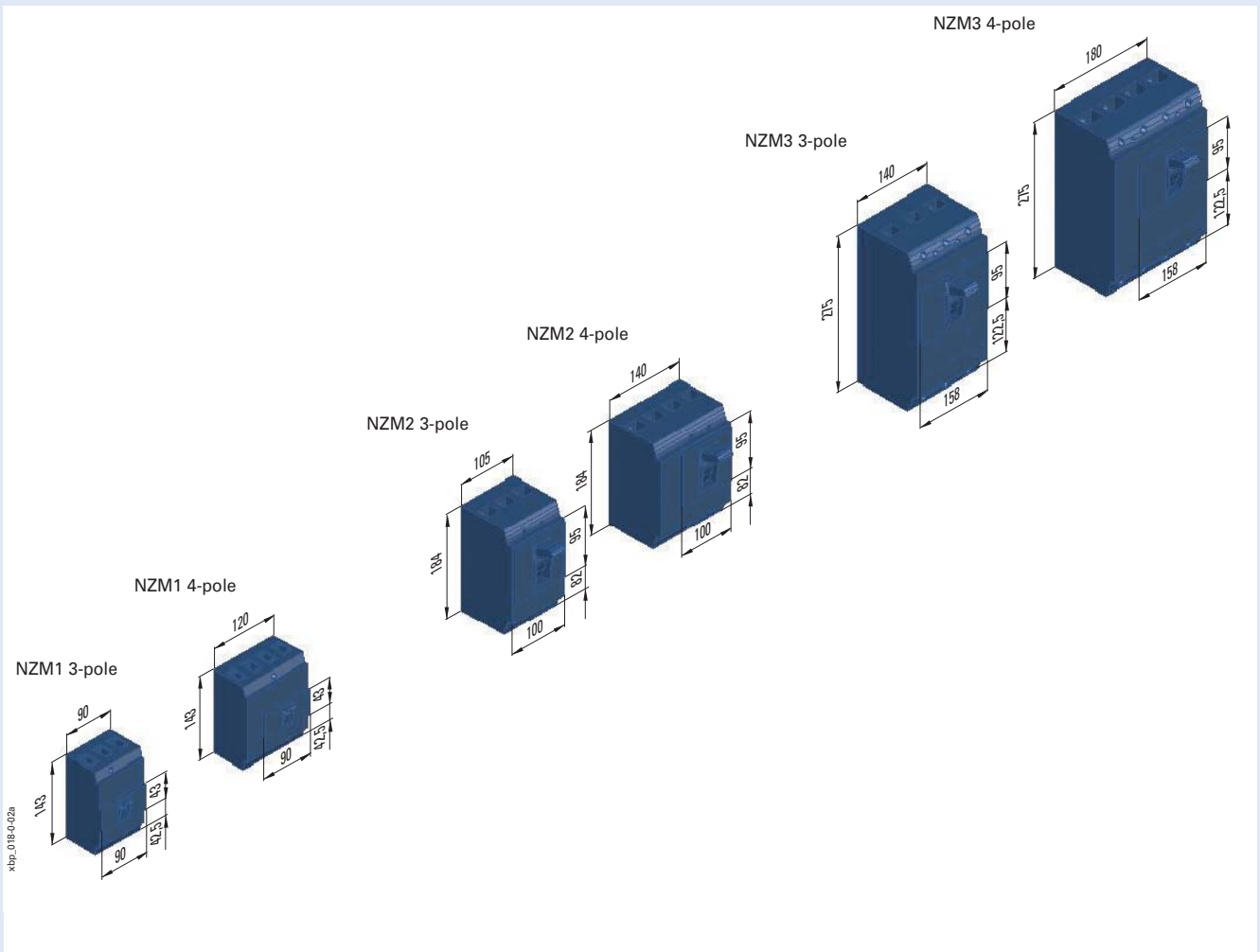
### Placing of the mounting holes for particular type sizes of the circuit breakers ( BPZ-MPL-NZM3X-...)

- In case that circuit breakers of different type sizes are mounted onto a single mounting plate it is necessary to put spacers NZM1/2-XAB under the smaller-size breaker. The matching front plate with plastic insert BPZ-FPP have to be prepared individual (no cuttings existing).



# Distribution Boards

## Basic dimensions of the circuit breakers NZM



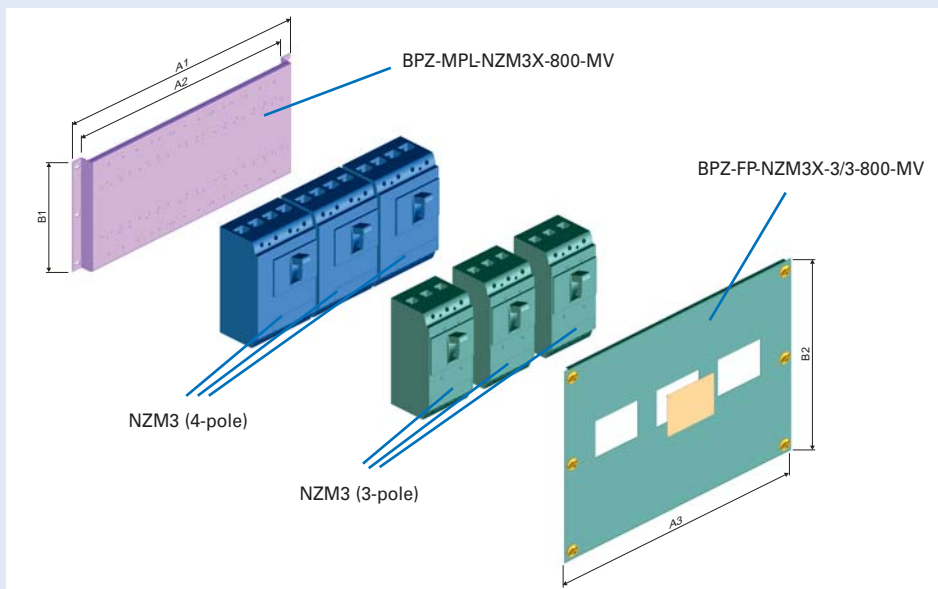
# Distribution Boards

## Front Plate for Several Devices such as NZM, BPZ-FP

- To cover the areas occupied by circuit breakers
- Metal front plates making contact with the enclosure
- Material: Sheet steel, powder-coated, RAL 7035
- Scope of delivery: 1 Front plate incl. empty-space cover (with NZM2, NZM3 and NZM4)

### Dimensions [mm]

Type	Max. number of 3-/4-pole NZMs	A3	B2	Number of empty-space covers
BPZ-FP-400/200-45	2x NZM1 / 2x NZM1	320	199	-
BPZ-FP-600/200-45	4x NZM1 / 3x NZM1	520	199	-
BPZ-FP-800/200-45	7x NZM1 / 5x NZM1	720	199	-
BPZ-FP-1000/200-45	9x NZM1 / 6x NZM1	920	199	-
BPZ-FP-1200/200-45	11x NZM1 / 8x NZM1	1120	199	-
BPZ-FP-NZM2X-2/0-400-MV	2x NZM2 / -	320	299	1x NZM2 Cover plate
BPZ-FP-NZM2X-3/2-600-MV	3x NZM2 / 2x NZM2	520	299	2x NZM2 Cover plates
BPZ-FP-NZM2X-4/4-800-MV	4x NZM2 / 4x NZM2	720	299	3x NZM2 Cover plates
BPZ-FP-NZM2X-4/4-1000-MV	4x NZM2 / 4x NZM2	920	299	3x NZM2 Cover plates
BPZ-FP-NZM2X-4/4-1200-MV	4x NZM2 / 4x NZM2	1120	299	3x NZM2 Cover plates
BPZ-FP-NZM3X-2/2-600-MV	2x NZM3 / 2x NZM3	520	499	1x NZM3 Cover plate
BPZ-FP-NZM3X-3/3-800-MV	3x NZM3 / 3x NZM3	720	499	2x NZM3 Cover plates
BPZ-FP-NZM3X-3/3-1000-MV	3x NZM3 / 3x NZM3	920	499	2x NZM3 Cover plates
BPZ-FP-NZM3X-3/3-1200-MV	3x NZM3 / 3x NZM3	1120	499	2x NZM3 Cover plates
BPZ-FP-NZM4X-2/2-800-MV-XVTL	2x NZM4 / 2x NZM4	720	799	1x NZM4 Cover plate
BPZ-FP-NZM4X-3/2-1000-MV-XVTL	3x NZM4 / 2x NZM4	920	799	2x NZM4 Cover plates
BPZ-FP-NZM4X-3/3-1200-MV-XVTL	3x NZM4 / 3x NZM4	1120	799	2x NZM4 Cover plates



# Distribution Boards

## Mounting Plate for NZM symmetrical, BPZ-MPL-NZM...-MX

- For mounting one NZM in horizontal position or several NZMs in vertical position
- Connecting the NZM circuit breakers can be done from the rear (cut-outs are prepared )
- Suitable for wall-mounted or floor-standing enclosures with Profi+ mounting frame
- Material: Sheet steel (2 mm), galvanized
- Scope of delivery: 1 Mounting plate, mounting accessories

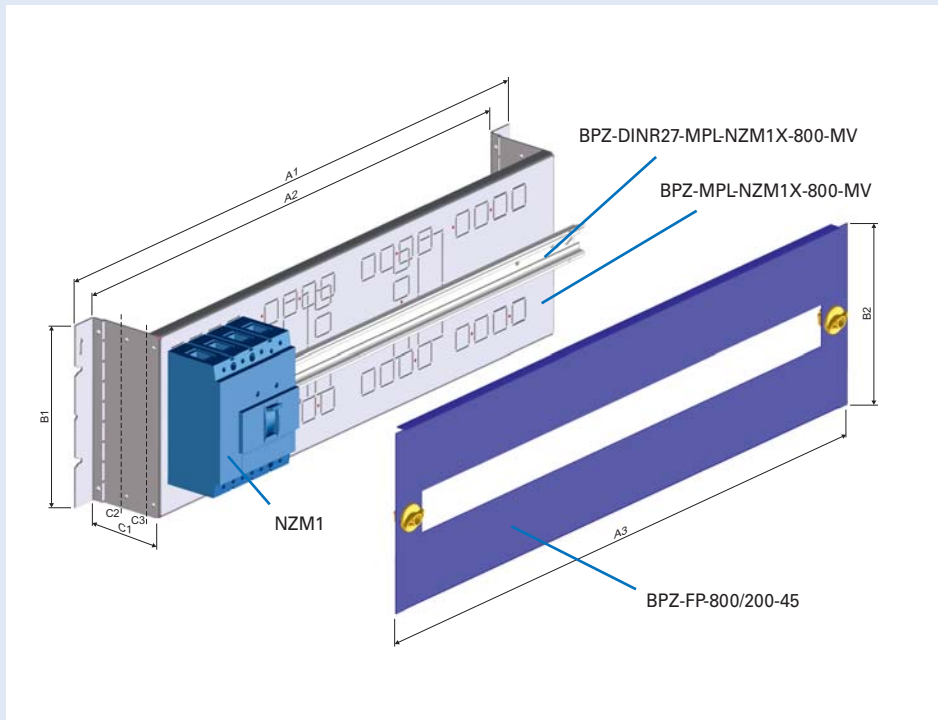
### Dimensions [mm]

Type	Max. number of 3-/4-pole NZMs	A1	A2	B1	C1
BPZ-MPL-NZM1X-600-MX	3x NZM1 / 3x NZM1	492	432	199	87
BPZ-MPL-NZM1X-800-MX	4x NZM1 / 4x NZM1	692	632	199	87
BPZ-MPL-NZM2X-600-MX	2x NZM2 / 2x NZM2	492	432	199	52
BPZ-MPL-NZM2X-800-MX	3x NZM2 / 3x NZM3	692	632	199	52
BPZ-MPL-NZM3-600-MX	1x NZM3 / 1x NZM3	492	432	299	34
BPZ-MPL-NZM3-800-MX	1x NZM3 / 1x NZM3	692	632	299	34
BPZ-MPL-NZM4-600-MX-XVTL	1x NZM4 / 1x NZM4	492	432	589	17
BPZ-MPL-NZM4-800-MX-XVTL	1x NZM4 / 1x NZM4	692	632	589	17

## DIN Rail for Mounting Plate NZM1 symmetrical, BPZ-DINR

- For mounting installation devices next to 1x NZM1 (vertical) on the same level
- For mounting plate 600 mm: 1x BPZ-DINR17-MPL-NZM1X-600-MV
- For mounting plate 800 mm: 1x BPZ-DINR27-MPL-NZM1X-800-MV
- Material: Aluminium
- Scope of delivery: 1 DIN rail, mounting accessories

Example of application



# Distribution Boards

## Fixing Set for max. Installation Depth of the NZM symmetrical Mounting Plate, BPZ-KIT-MPL-NZMX-XDV/XMV/XR-XVTL

- For mounting an NZM circuit breaker with rotary handle (NZM.-XDV), with mechanical lock (NZM.-XMV) or remote operation (NZM.-XR...)
- Depending on the application, the fixing straps and/or the mounting plate need to be shortened accordingly
- Due to the installation depth, the set in combination with the mounting plate can only be used in XVTL distribution boards
- Material: Sheet steel (2 mm), galvanized
- Scope of delivery: 4 Fixing straps, mounting accessories

### Examples of application for the fixing set BPZ-KIT-MPL-NZMX-XDV/XMV/XR-XVTL

Application	Type of mounting plate (width = 800 mm)	Fixing set required?	Notes
NZM1 with standard toggle	BPZ-MPL-NZM1X-800-MX	NO	Mounting plate in standard depth (C1)
NZM1 with rotary handle on circuit breaker (XDV)	BPZ-MPL-NZM1X-800-MX	NO	Fix mounting plate in C2 position
NZM1 with mechanical lock (XMV)	BPZ-MPL-NZM1X-800-MX	NO	Fix mounting plate in C3 position
NZM2 with standard toggle	BPZ-MPL-NZM2X-800-MX	NO	Mounting plate in standard depth (C1)
NZM2 with rotary handle on circuit breaker (XDV)	BPZ-MPL-NZM2X-800-MX	NO	Fix mounting plate in C3 position
NZM2 with mechanical lock (XMV)	BPZ-MPL-NZM2X-800-MX	YES	Setup acc. to assembly instructions
NZM2 with remote operation (XR)	BPZ-MPL-NZM2X-800-MX	YES	Setup acc. to assembly instructions
NZM3 with standard toggle	BPZ-MPL-NZM3-800-MX	NO	Mounting plate in standard depth (C1)
NZM3 with rotary handle on circuit breaker (XDV)	BPZ-MPL-NZM3-800-MX	YES	Setup acc. to assembly instructions
NZM3 with mechanical lock (XMV)	BPZ-MPL-NZM3-800-MX	YES	Setup acc. to assembly instructions
NZM3 with remote operation (XR)	BPZ-MPL-NZM3-800-MX	YES	Setup acc. to assembly instructions
NZM4 with standard toggle	BPZ-MPL-NZM4-800-MX-XVTL	NO	Mounting plate in standard depth (C1)
NZM4 with rotary handle on circuit breaker (XDV)	BPZ-MPL-NZM4-800-MX-XVTL	YES	Setup acc. to assembly instructions
NZM4 with remote operation (XR)	BPZ-MPL-NZM4-800-MX-XVTL	NO	Order 2x XBBB085-1 + 2x XSFS06-1

## Front Plate NZM symmetrical, BPZ-FP/S

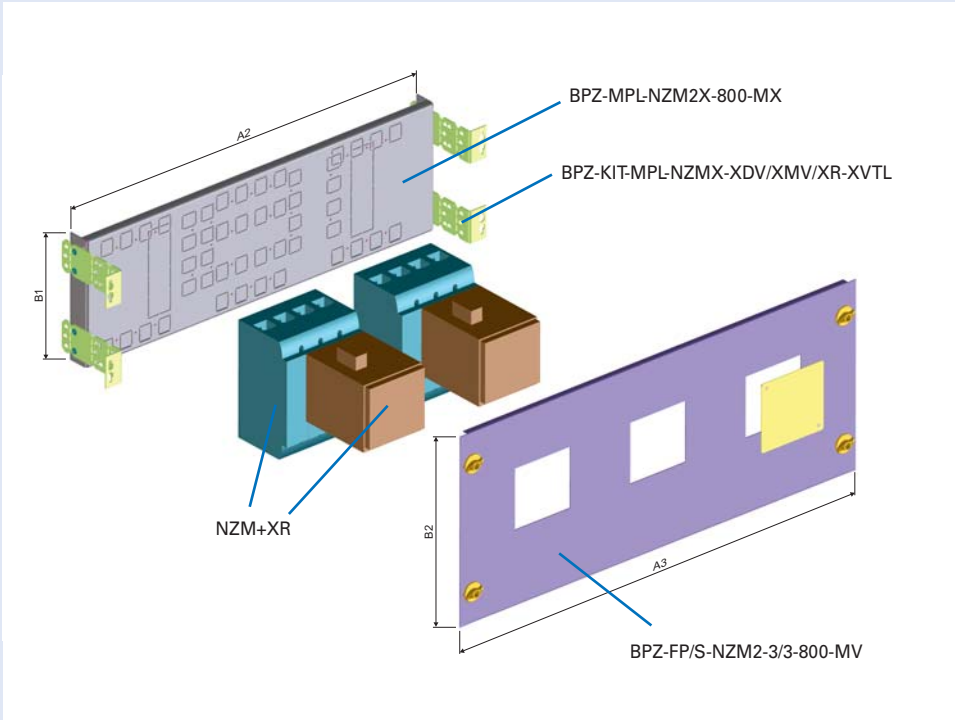
- To cover the areas occupied by circuit breakers
- Metal front plates making contact with the enclosure
- Material: Sheet steel, powder-coated, RAL 7035
- Scope of delivery: 1 Front plate (with empty-space cover where applicable)

### Dimensions [mm]

Application	Max. number of 4-pole NZMs	A3	B2	Number of empty-space cover plates
BPZ-FP-600/200-45	3x NZM1 (vertical)	520	199	-
BPZ-FP-600/200-45	1x NZM1+XFI (vertical)	520	199	-
BPZ-FP/S-NZM1-600-MH	1x NZM1 (horizontal)	520	199	-
BPZ-FP-800/200-45	4x NZM1 (vertical)	720	199	-
BPZ-FP-800/200-45	2x NZM1+XFI (vertical)	720	199	-
BPZ-FP/S-NZM1-800-MH	1x NZM1 (horizontal)	720	199	-
BPZ-FP/S-NZM2-600-MV	1x NZM2 (vertical)	520	299	-
BPZ-FP/S-NZM2X-2/2-600-MV	2x NZM2 (vertical)	520	299	1x NZM2 Cover plate
BPZ-FP/S-NZM2-XFI-600-MV	1x NZM2+XFI (vertical)	520	399	-
BPZ-FP/S-NZM2-600-MH	1x NZM2 (horizontal)	520	199	-
BPZ-FP/S-NZM2-XFI-600-MH	1x NZM2+XFI (horizontal)	520	199	-
BPZ-FP/S-NZM2-800-MV	1x NZM2 (vertical)	720	299	-
BPZ-FP/S-NZM2X-3/3-800-MV	3x NZM2 (vertical)	720	299	2x NZM2 Cover plates
BPZ-FP/S-NZM2-XFI-800-MV	1x NZM2+XFI (vertical)	720	399	-
BPZ-FP/S-NZM2-800-MH	1x NZM2 (horizontal)	720	199	-
BPZ-FP/S-NZM2-XFI-800-MH	1x NZM2+XFI (horizontal)	720	199	-
BPZ-FP/S-NZM3-600-MV	1x NZM3 (vertical)	520	399	-
BPZ-FP/S-NZM3-XDV-600-MV	1x NZM3+XDV (vertical)	520	399	-
BPZ-FP/S-NZM3-600-MH	1x NZM3 (horizontal)	520	399	-
BPZ-FP/S-NZM3-XDV-600-MH	1x NZM3+XDV (horizontal)	520	399	-
BPZ-FP/S-NZM3-800-MV	1x NZM3 (vertical)	720	399	-
BPZ-FP/S-NZM3-XDV-800-MV	1x NZM3+XDV (vertical)	720	399	-
BPZ-FP/S-NZM3-800-MH	1x NZM3 (horizontal)	720	399	-
BPZ-FP/S-NZM3-XDV-800-MH	1x NZM3+XDV (horizontal)	720	399	-
BPZ-FP/S-NZM4-600-MV-XVTL	1x NZM4 (vertical)	520	599	-
BPZ-FP/S-NZM4-XDV-600-MV-XVTL	1x NZM4+XDV (vertical)	520	599	-
BPZ-FP-NZM4-600-MH-XVTL	1x NZM4 (horizontal)	520	599	-
BPZ-FP-NZM4-XDV-600-MH-XVTL	1x NZM4+XDV (horizontal)	520	599	-
BPZ-FP/S-NZM4-800-MV-XVTL	1x NZM4 (vertical)	720	599	-
BPZ-FP/S-NZM4-XDV-800-MV-XVTL	1x NZM4+XDV (vertical)	720	599	-
BPZ-FP/S-NZM4-800-MH-XVTL	1x NZM4 (horizontal)	720	599	-
BPZ-FP/S-NZM4-XDV-800-MH-XVTL	1x NZM4+XDV (horizontal)	720	599	-

# Distribution Boards

Example of application



# Distribution Boards

## Mounting Set for NH Fuse Disconnecter Switches XNH, BPZ-XNH

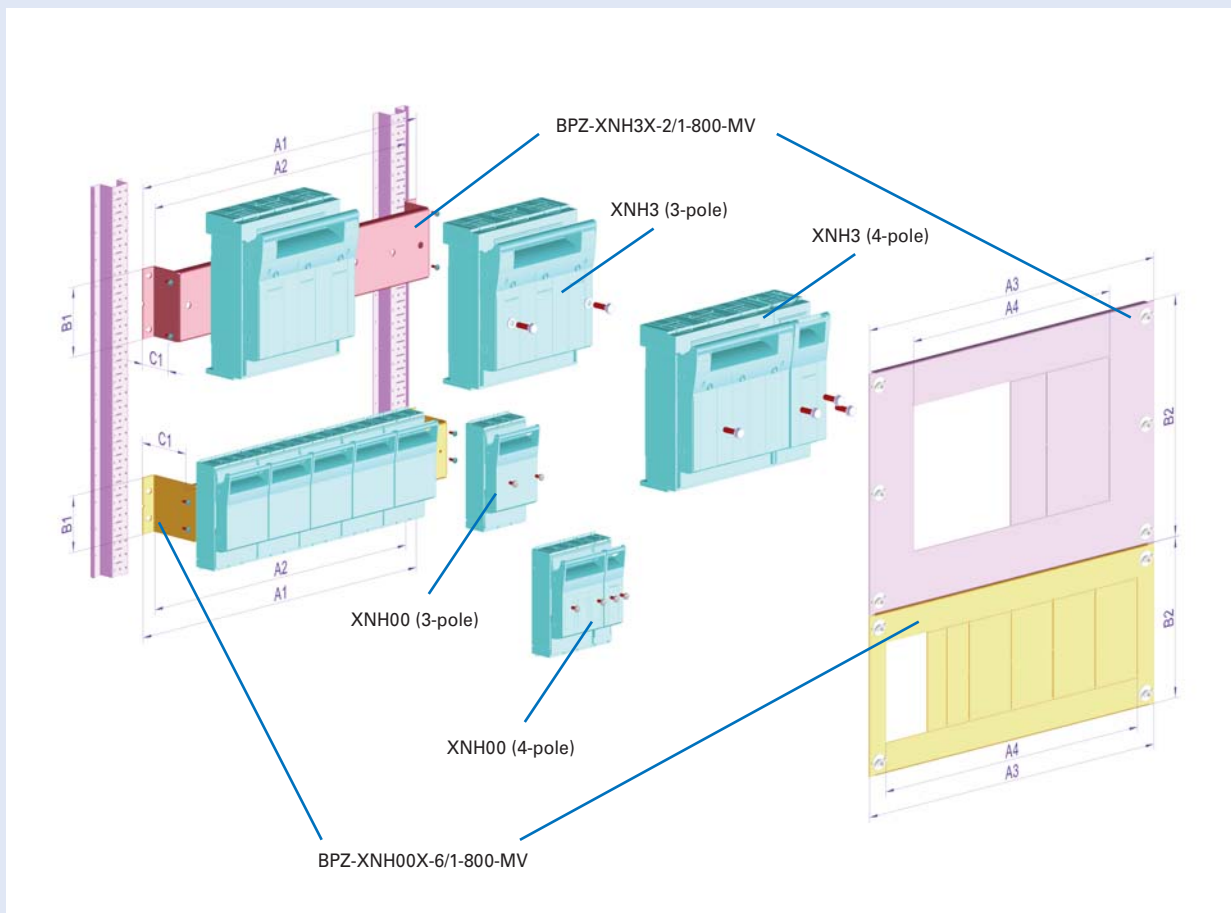
- Mounting set for fixing XNH fuse disconnecter switches on a mounting plate
- Sizes (rated operating current)  
XNH00 (160 A), XNH1 (250 A), XNH2 (400 A), XNH3 (630 A)
- Front panel is prepared for mounting a 3-pole device, additional perforations for multiple mounting are prepared and can be knocked out according to your requirements by means of a suitable tool
- Finger-safe finish is guaranteed even without using an additional empty-space cover
- Suitable for both wall-mounted and floor-standing cabinets with Profi-mounting frame (no set-up on MSW mounting-side-panel possible)
- Material  
Mounting plate: Steel sheet (2 mm), galvanized  
Front panel: Steel sheet, powder-coated, RAL 7035 or RAL 9016
- Scope of delivery: 1 Mounting plate, 1 front panel, fixing material

### Dimensions [mm]

Type	Max. number of 3-/4-pole XNH	A1	A2	A3	A4	B1	B2	C1
BPZ-XNH00X-2/1-400-MV(-W)	2x XNH00 / 1x XNH00 *)	292	236	320	212	105	299	110
BPZ-XNH00X-4/1-600-MV(-W)	4x XNH00 / 1x XNH00 *)	492	436	520	425	105	299	110
BPZ-XNH00X-6/1-800-MV(-W)	6x XNH00 / 1x XNH00 *)	692	636	720	638	105	299	110
BPZ-XNH1-1/0-400-MV(-W)	1x XNH1 / —	292	236	320	180	130	449	85
BPZ-XNH1X-2/1-600-MV(-W)	2x XNH1 / 1x XNH1 *)	492	436	520	365	130	449	85
BPZ-XNH1X-3/1-800-MV(-W)	3x XNH1 / 1x XNH1 *)	692	636	720	550	130	449	85
BPZ-XNH2-1/X-400-MV(-W)	1x XNH2 / —	292	236	320	206	130	449	65
BPZ-XNH2X-2/X-600-MV(-W)	2x XNH2 / —	492	436	520	417	130	449	65
BPZ-XNH2X-3/X-800-MV(-W)	3x XNH2 / —	692	636	720	628	130	449	65
BPZ-XNH3-1/0-600-MV(-W)	1x XNH3 / —	492	436	520	246	130	449	65
BPZ-XNH3X-2/1-800-MV(-W)	2x XNH3 / 1x XNH3 *)	692	636	720	497	130	449	65

\*) Where necessary, it is possible to install several 4-pole devices, but the cut-out will then need to be adjusted accordingly.

Example of application



# Distribution Boards

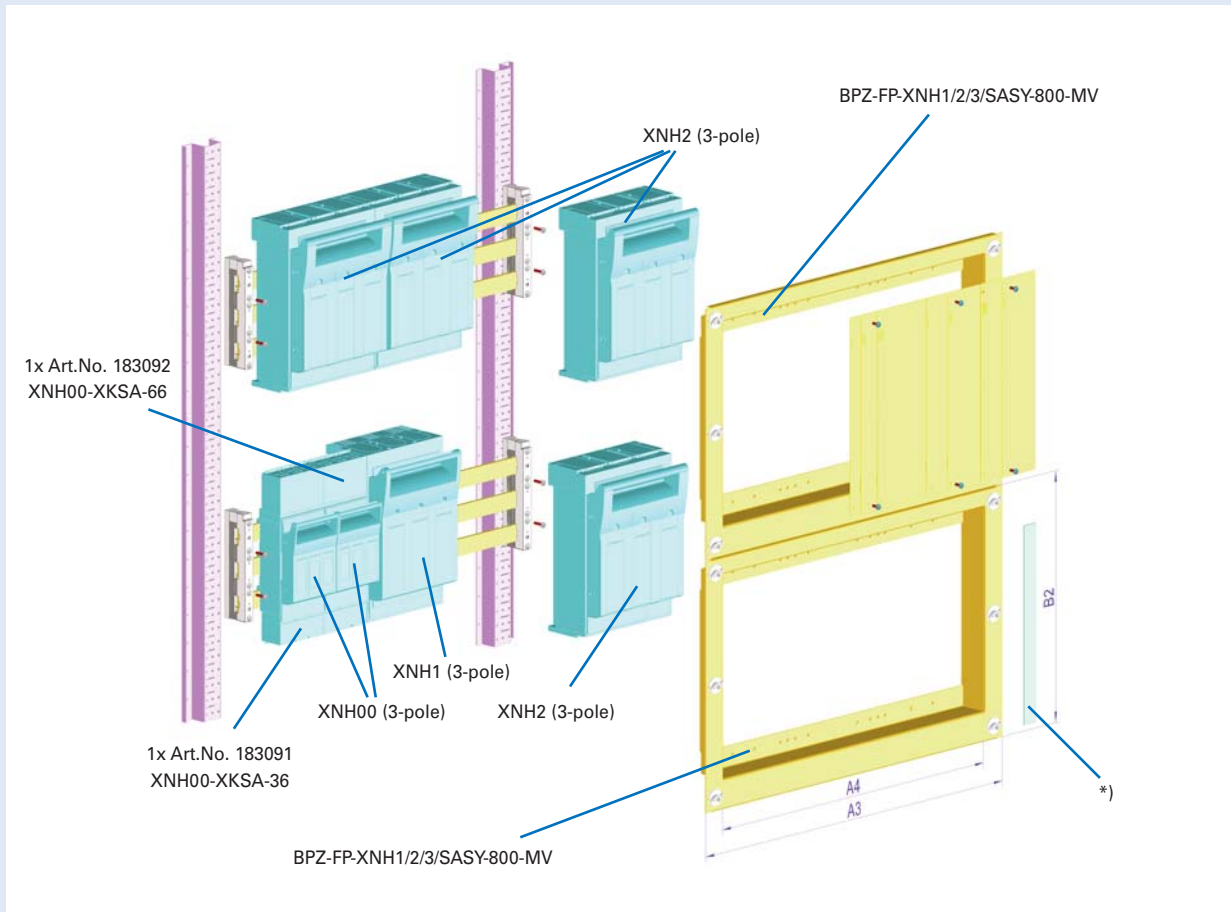
## Front Panel for NH Fuse Disconnecter Switches XNH when installed on a busbar of 60 mm (SASY 60i) at the base frame

- When XNH devices are used for a 60 mm busbar system
- Sizes (rated operating current)  
XNH1 (250 A), XNH2 (400 A), XNH3 (630 A)  
XNH00 (160 A) – when using a cover for the connection area  
XNH00-XKSA-36 (at the bottom) or XNH00-XKSA-66 (at the top)
- The busbar system (SASY 60i) can directly be fixed at the base frame without using any mounting brackets
- If devices of the same size (except XNH00) are installed, the empty-space cover included in the delivery complies with all requirements. It only needs to be adjusted to the number available.
- The front panel adjusts itself to the required level of the devices. It is also possible to install devices of different sizes next to each other (in this case it is not possible to use the empty-space cover).
- Suitable for wall-mounted and floor-standing cabinets with a Profi+ mounting frame
- Material: Sheet steel, powder-coated, RAL 7035
- Scope of delivery: 1 Front panel, 1 empty-space cover

### Dimensions [mm]

Type	Max. number of 3-pole XNH (same size)	Max. number of 3-pole XNH00 with cover for connection area	A3	A4	B2
BPZ-FP-XNH1/2/SASY-400-MV	1x XNH1 / 1x XNH2	2x XNH00	320	234	449
BPZ-FP-XNH1/2/3/SASY-600-MV	2x XNH1 / 2x XNH2 / 1x XNH3	4x XNH00	520	434	449
BPZ-FP-XNH1/2/3/SASY-800-MV	3x XNH1 / 3x XNH2 / 2x XNH3	5x XNH00	720	634	449

Example of application



\*) Individual cover strip made of insulation material to be used when installing devices of different size (depending on the requirements - to be prepared by the customer)



# Distribution Boards

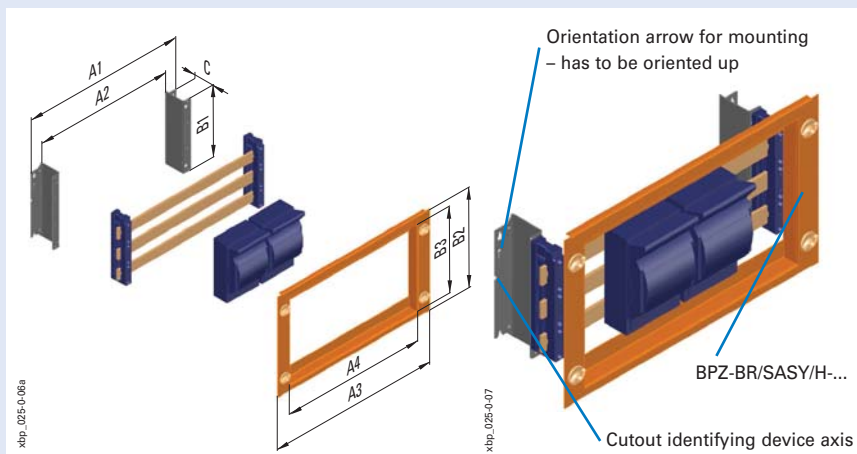
## Mounting sets for 3-pole IEC busbar support 630A SASY60i, BPZ-BR/SASY/H...

- Mounting sets for fixing the busbar supports BBS-3/FL
- Material  
Front plate: sheet steel, powder-coated, RAL 7035  
Mounting angles: sheet steel (2 mm), zinc-coated
- For surface mounted or floor-standing distribution boards
- Scope of delivery:  
Width 400 to 800 mm: 2 fixing angles, 1 front plate, fixing material  
Width 1000 to 1200 mm: 3 fixing angles, 2 profiles, 1 front plate, fixing material

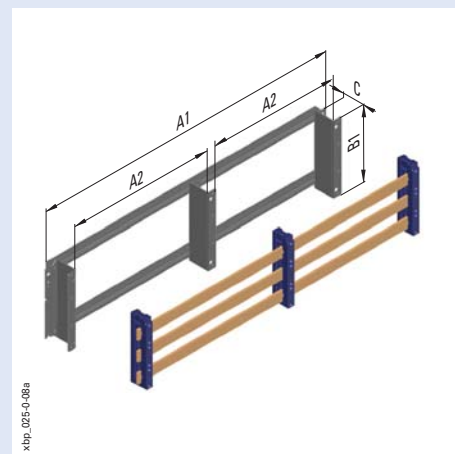
### Dimensions [mm]

Type	Mounting angles				Front panel				Max. number of 3-pole XNH00 without connection section cover
	Outside dimensions				Inside dimensions				
	Width		Height		Width		Height		
	A1	B1	A2	C	A3	B2	A4	B3	
BPZ-BR/SASY/H-400	296	215	222	63	320	300	234	194	2x XNH00
BPZ-BR/SASY/H-600	496	215	422	63	520	300	434	194	4x XNH00
BPZ-BR/SASY/H-800	696	215	622	63	720	300	634	194	5x XNH00
BPZ-BR/SASY/H-1000	896	215	398	63	920	300	834	194	6x XNH00
BPZ-BR/SASY/H-1200	1096	215	498	63	1120	300	1034	194	8x XNH00

### For board widths 400, 600, 800 mm



### For board widths 1000 and 1200 mm



## Mounting plates with pre-drilled holes for mounting busbar holders SASY 60i BPZ-MPLSASY

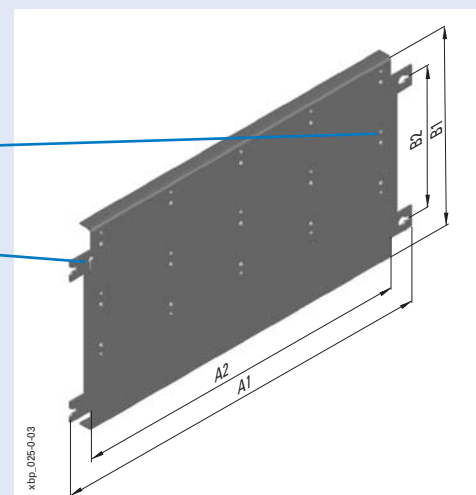
- For mounting of holders of SASY 60i system
- Material: sheet steel (2 mm), zinc-coated
- Scope of delivery: 1 mounting plate, fixing material

### Dimensions [mm]

Type	Width		Height		Number of BEL elements on the side
	A1	A2	B1	B2	
BPZ-MPLSASY-425	313	253	250	175	2
BPZ-MPLSASY-600	488	428	250	175	2
BPZ-MPLSASY-800	688	648	250	175	2
BPZ-MPLSASY-1000	888	846	250	175	2
BPZ-MPLSASY-1200	1088	1046	250	175	2

Pre-drilled holes for mounting of SASY 60i

Orientation arrow for mounting  
- has to be oriented up

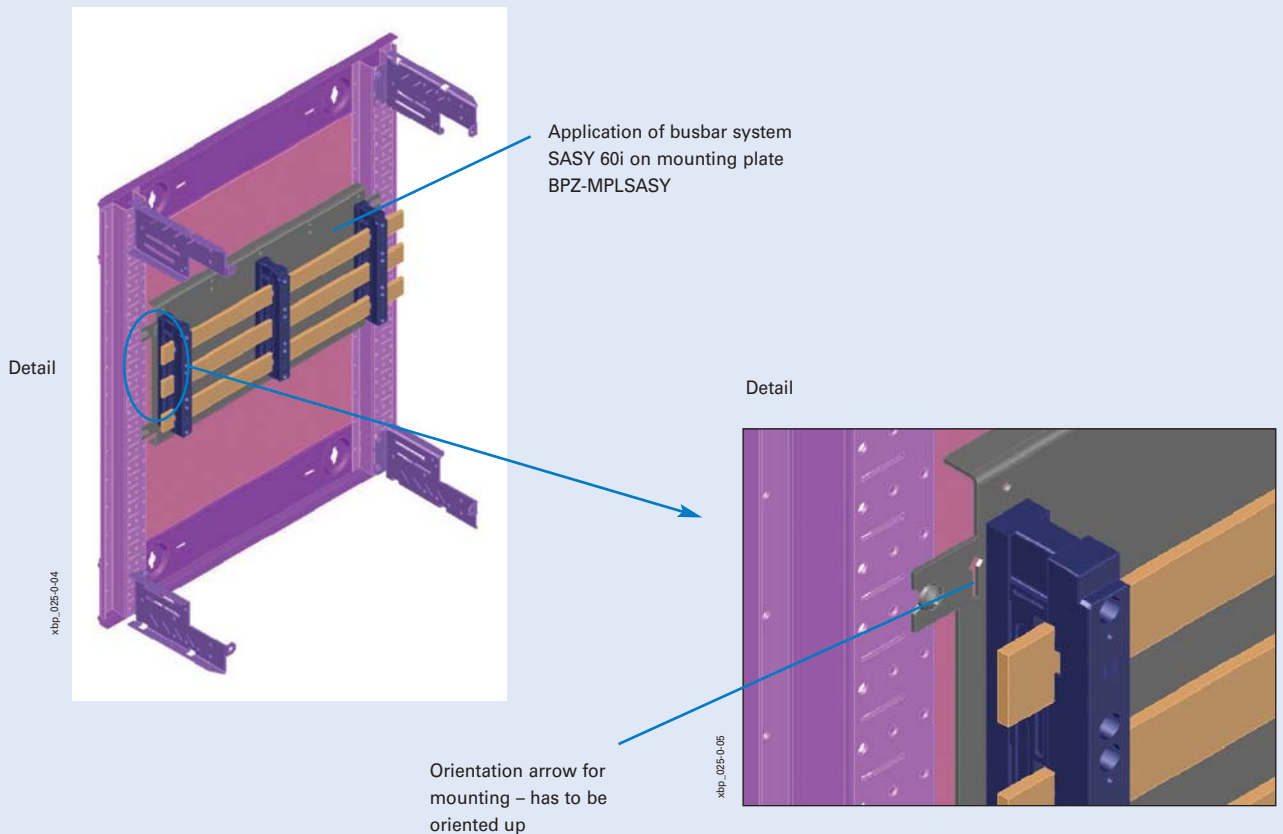
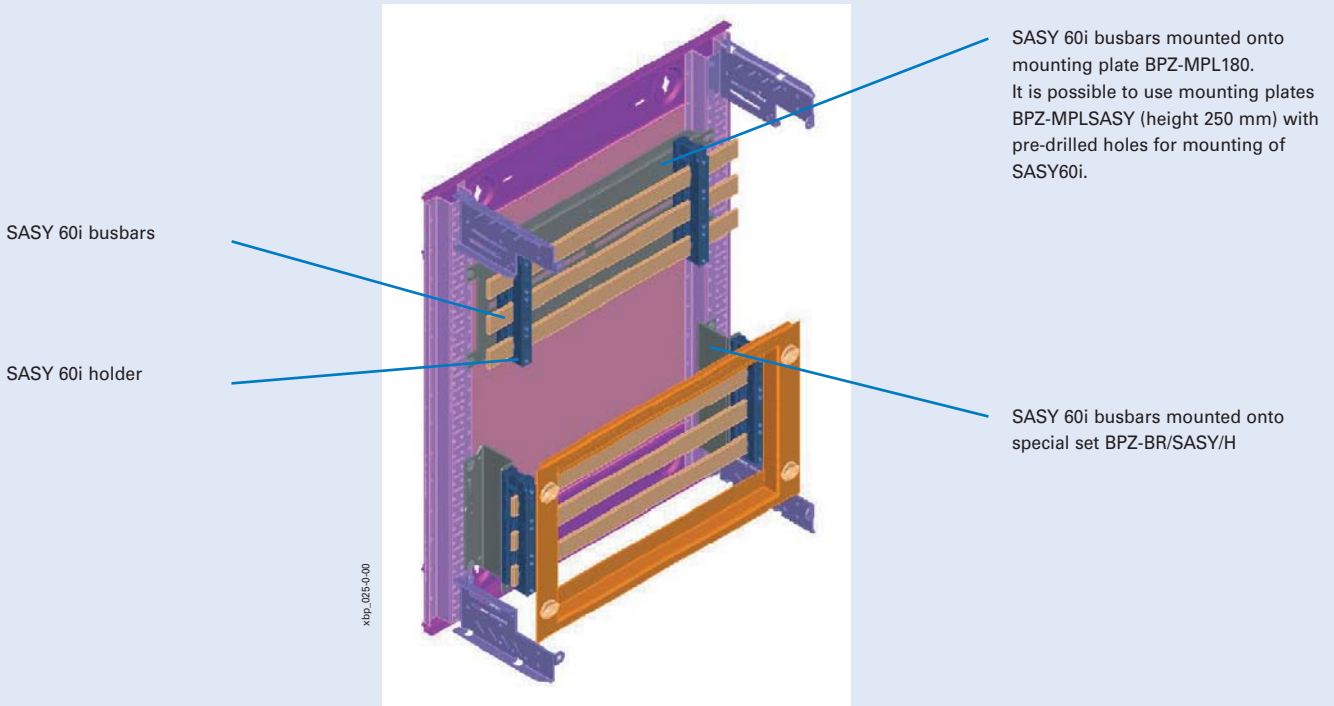


# Distribution Boards

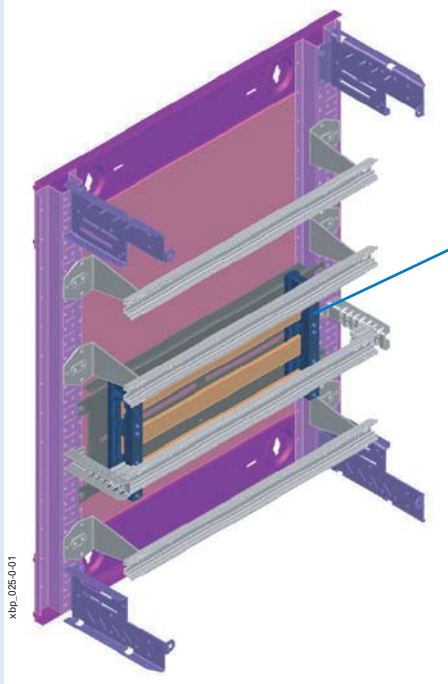
## Example of mounting of busbar system SASY 60i

### Application example:

- The busbars are fed via circuit breaker NZM
- The busbars serve as a connection point for particular devices



# Distribution Boards



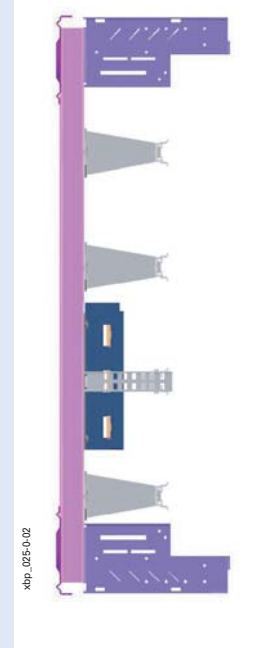
xhp\_025-0-01

BPZ-MPL180...  
SASY 60i busbars mounted onto mounting plate.

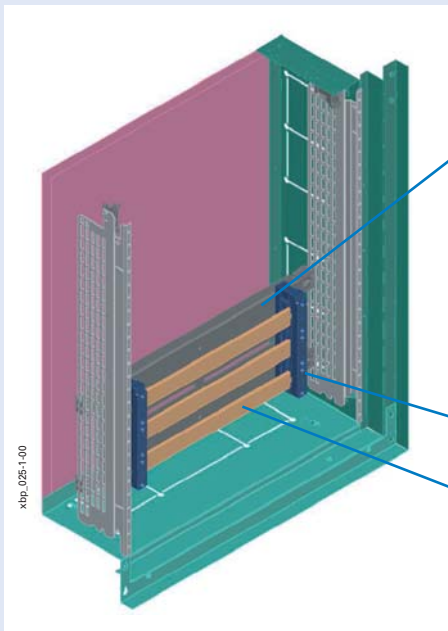
It is possible to use mounting plates BPZ-MPLSASY (height 250 mm) with pre-drilled holes for mounting of SASY60i.

The busbars can be placed under the device rails – save of space in the board.

For fastening of the device rail over the busbars the towers BPZ-TA have to be used (set BPZ-DINR...-T).



xhp\_025-0-02



xhp\_025-1-00

BPZ-MPL180... + BEL...  
SASY 60i busbars mounted onto mounting plate – can be used for branching of L/N/PE conductors.

It is possible to use mounting plates BPZ-MPLSASY (height 250 mm) with pre-drilled holes for mounting of SASY60i.

Recommended mounting depth (5) – suitable for branching of L/N/PE as well as for direct mounting of devices onto the busbars.

Front plate with plastic insert can be use to cover – cutouts are done according to actual device position.

SASY 60i holder

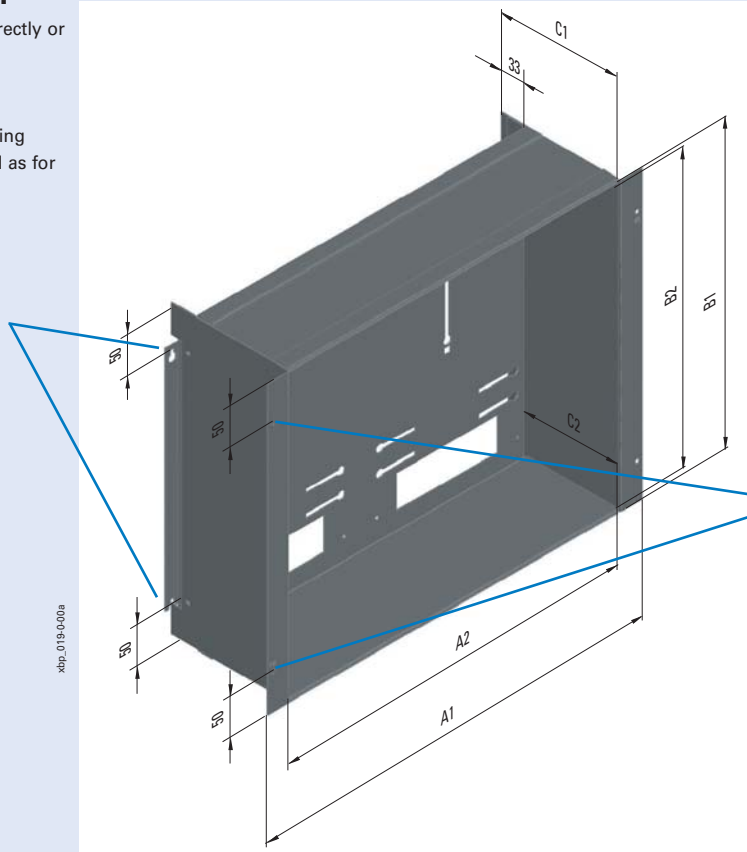
SASY 60i busbars

# Distribution Boards

## Meter troughs, BPZ-MT...

- Meter troughs for mounting meter directly or via meter plates ZBR
- Material: sheet steel, powder-coated, RAL 7035
- Scope of delivery: 1 meter trough, fixing material (screws for mounting as well as for metering cross)

Openings for fixing onto rear frame in surface-mounted boards IP30 or for hanging in surface-mounted boards IP54 and floor-standing boards



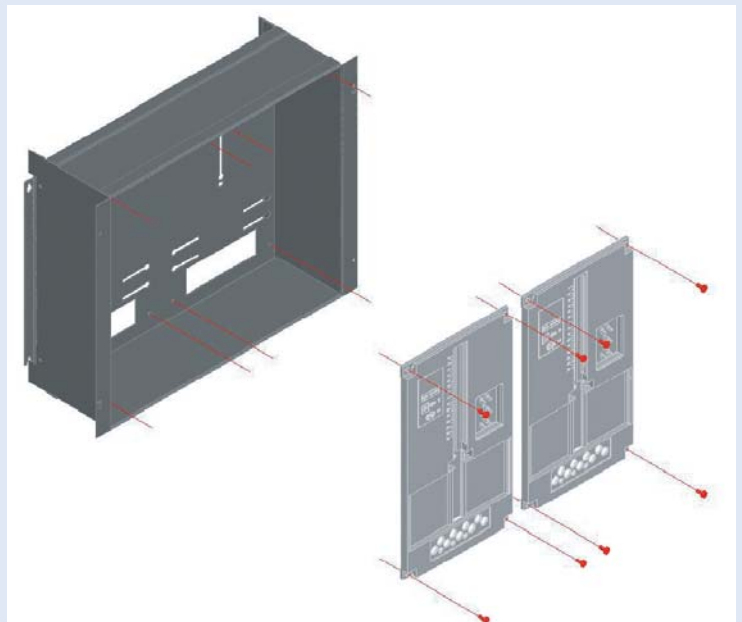
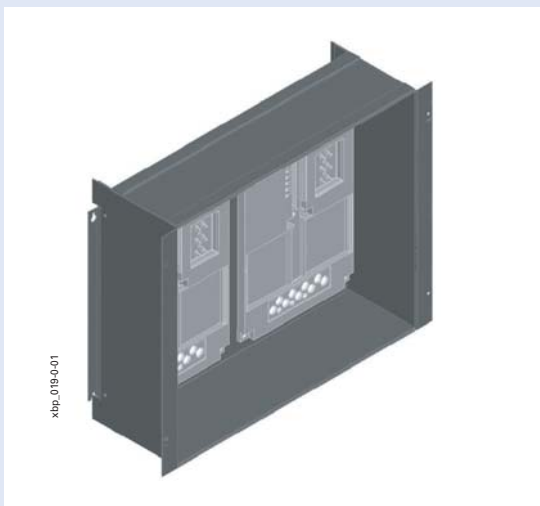
Openings for fixing onto side walls BPZ-MSW or support BPZ-FPS (if mounted without BPZ-MSW into surface-mounted boards IP54 or floor-standing boards for which there is not access for rear mounting due to welded construction of the board)

### Dimensions [mm]

Type	Outsider dimensions					
	Width	Height	Depth			
	A1	B1	C1	A2	B2	C2
BPZ-MT-400/400-1	320	400	165	-	390	130
BPZ-MT-600/400-2	520	400	165	459	390	130
BPZ-MT-800/400-3	720	400	165	659	390	130
BPZ-MT-1000/400-4	920	400	165	859	390	130
BPZ-MT-1200/400-5	1120	400	165	1059	390	130
BPZ-MT-400/450-1	320	450	165	-	440	130
BPZ-MT-600/450-2	520	450	165	459	440	130
BPZ-MT-800/450-3	720	450	165	659	440	130
BPZ-MT-1000/450-4	920	450	165	859	440	130
BPZ-MT-1200/450-5	1120	450	165	1059	440	130

## Mounting of meter plates ZBR into troughs BPZ-MT

- Meter plates ZBR are fixed with screws in the corners (in scope of delivery of the plates)

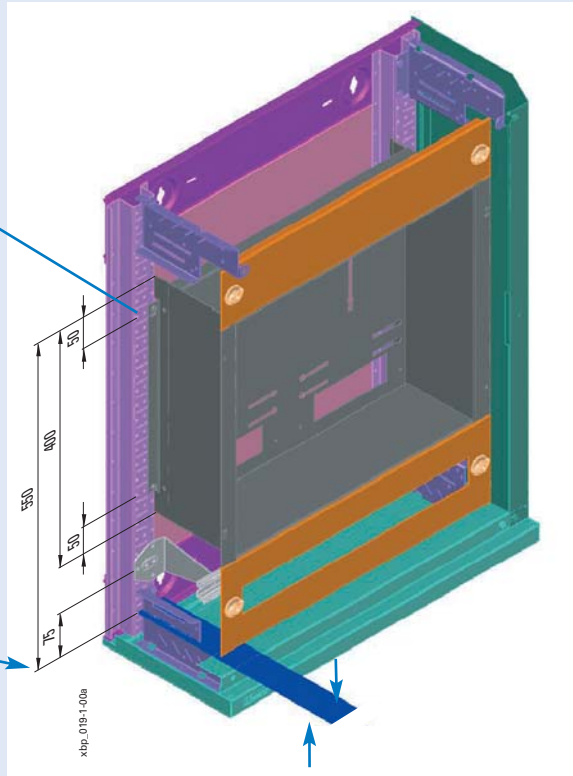


# Distribution Boards

## Application of meter through in a surface-mounted board IP30

- Trough is mounted directly onto rear frame
- Sealing screws for securing of the trough can be screwed into support BPZ-FPS
- In case of use BPZ-MSW, the through is fixed via front part onto BPZ-MSW (see application in flush-mounted board)
- Meter through has to be mounted into board earlier the side walls BP-SP!

Attachment of the through onto rear mounting frame

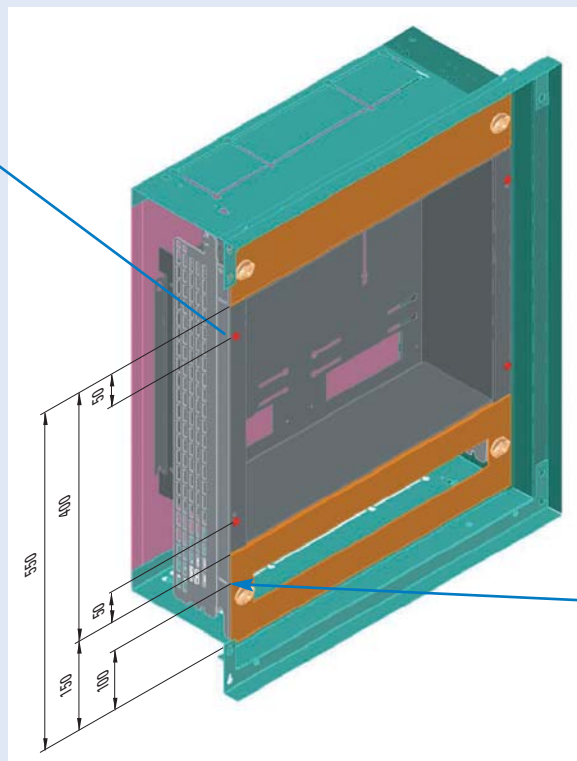


Zero position for mounting of device rails and mounting plates (the second opening from the bottom). Defines lower edge of the first bottom front plate. Standard height of the front plates is 150 mm.

## Application of meter through in flush-mounted board or surface-mounted board IP54

- The trough is mounted onto side walls BPZ-MSW or supports BPZ-FPS
- If sealing is asked, standard screws are replaced with sealing ones
- Meter throughs can be mounted into flush-mounted boards with wall box of depth of 240 mm only
- Assembling into surface-mounted boards IP54 or floor-standing boards is carried in similar way. It is not possible to use rear mounting due to fixed side walls. For these cases, the through can be hanged onto rear frame. The fixing itself is performed from the front by means of screws screwed into BPZ-MSW or BPZ-FPS.

Fixing of the through on side wall BPZ-MSW



Side wall cutout defining height 100 mm

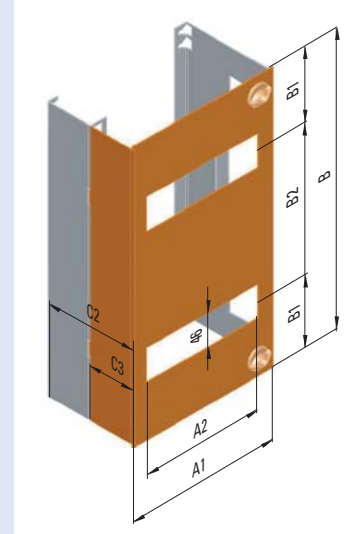
# Distribution Boards

## Device rail sets, BPZ-DRS-MT

- For using free metering places with device rails
- Mounting is possible into side positions in the through
- Material: sheet steel, powder-coated, RAL 7035
- Scope of delivery: 1 device rail set, fixing material

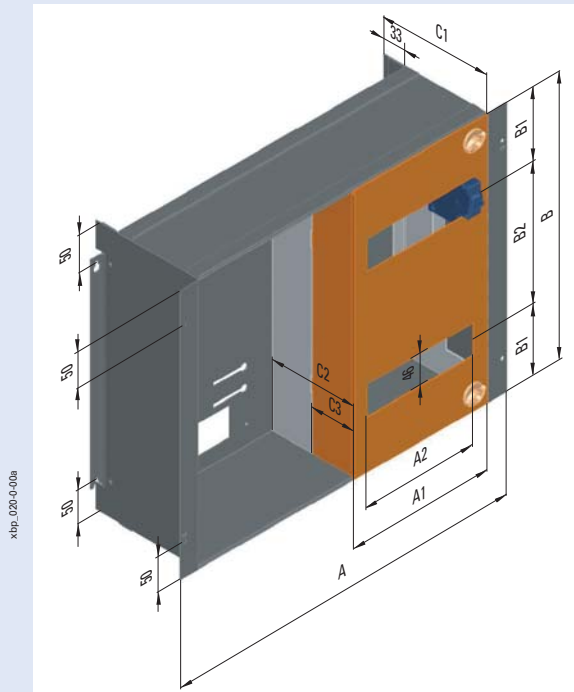
### Dimensions [mm]

Type	Outside dimensions						
	Width	Height	Depth				
	A1	B	C2	A2	B1	B2	C3
BPZ-DRS-MT/400-1	215	400	130	170	100	200	65
BPZ-DRS-MT/450-1	215	450	130	170	125	200	65



xbp\_020-0-02a

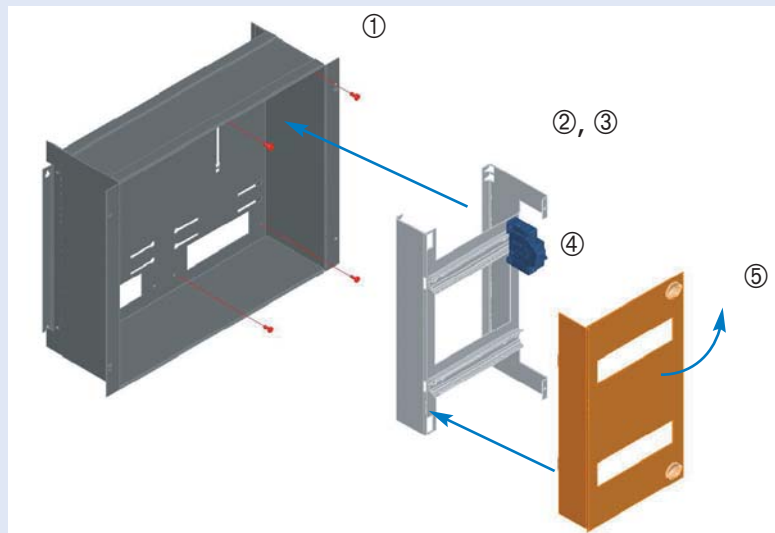
### Assembling into meter through



xbp\_020-0-00a

### Mounting process:

1. Pre-screwing of fixing screws into meter through. The screws must not be screwed tight.
2. Placing of the device rail set onto pre-screwed screws.
3. Tightening of the fixing screws.
4. Potential installation or connecting of inside equipment.
5. Mounting of a front panel



xbp\_020-0-01

xEnergy Basic

# Distribution Boards

## Set for front plate sealing, BPZ-SS

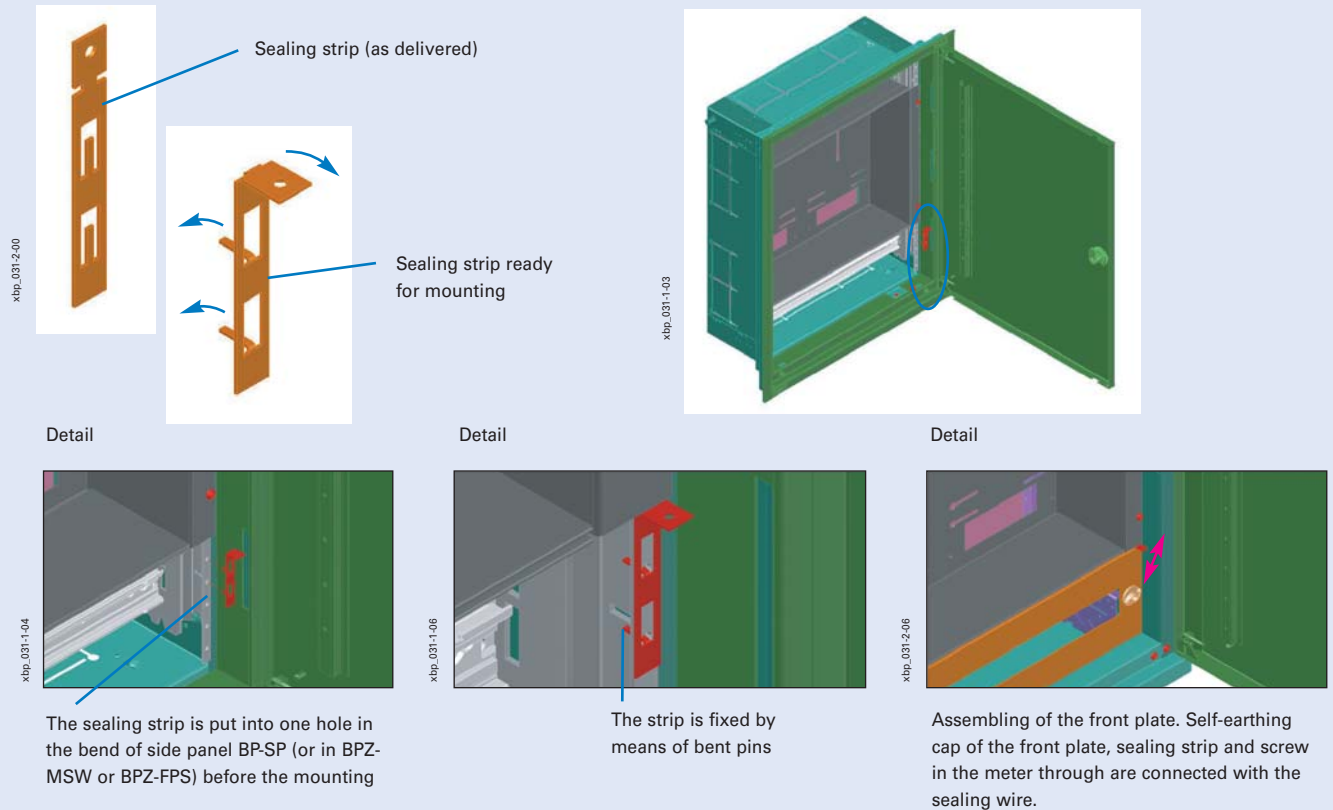
- Set for sealing of distribution boards
- Scope of delivery: 4 pcs of sealing strips, 4 pcs of sealing screws M5, 1 pc of tapping screw M5

### Process of sealing of front plates

- Fixed point is given by properly mounted sealing strip
- Standard M5 screw of self-earthing fixing cap
- Sealing wire is led through both openings in plastic cap of self-earthing fixing system, bolthead of the sealing screw and lug in the sealing strip

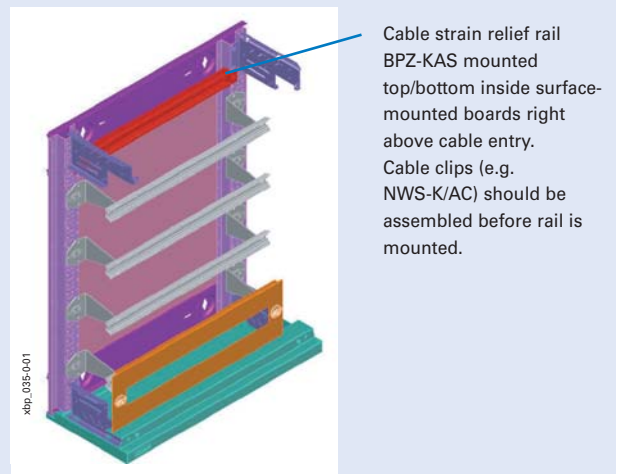
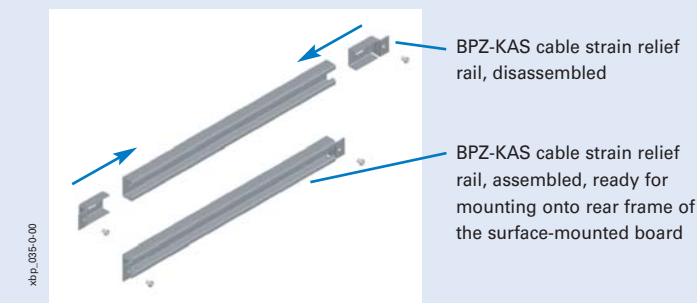
### Process of sealing of meter through

- The through can be fixed from the front side into BPZ-FPS or BPZ-MSW by means of sealing screws M5 (included in the set). The tapping screw from the set is used to make thread.
- The sealing itself can be done with sealing strip of a neighbouring front plate or with pre-moulded lugs in the through



## Cable strain relief rail C-profile, BPZ-KAS

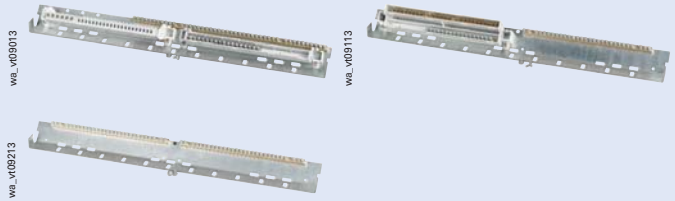
- The rail is used to provide strain relief to the cables right after cable entry
- Suitable for mounting cable clips
- Can be used in surface-mounted or floor-standing boards
- To be fixed with fastening angles right above cable entry
- Material: sheet steel, galvanized
- Scope of delivery: 1 cable strain relief rail, 2 fastening angles, fixing material



# Distribution Boards

## Terminal support bars, BPZ-TSB

- For mounting of terminals (KLV-)KL
- For surface mounted or floor-standing boards
- Mounted directly on the corner tower sets BPZ-CTS (the mounting is recommended before tightening of the fixing screws of the corner tower set)
- Possibility of direct mounting of PE terminal (conductive connection with board construction)
- N terminals are mounted by means of KT holders
- Material: sheet steel, galvanized
- Scope of delivery: 1 terminal support bar, fixing material



## Terminal supports, KT

- Scope of delivery: 1 terminal support

### KT-3

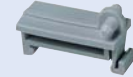
- For terminal strips KL-7 up to KL-60 mounted onto flat or hollow rails (2 pcs. needed)



wa\_v441013

### KT-5

- For terminal strips up to KL-15, for vertical snap-on mounting onto device rails according to IEC/EN 60715



wa\_v440913

## Terminal strips, (KLV-)KL

- Maximum current 63 A (125 A if strip is fed into its center via KLA)
- Scope of delivery: 1 terminal strip

Type	Length [mm]	Number of terminals
<b>KLV-KL-7</b>	59	7 x 16mm <sup>2</sup> , 1 x 25mm <sup>2</sup>
<b>KLV-KL-11</b>	59	11 x 16mm <sup>2</sup> , 1 x 25mm <sup>2</sup>
<b>KLV-KL-15</b>	115	15 x 16mm <sup>2</sup> , 2 x 25mm <sup>2</sup>
<b>KLV-KL-25</b>	59	25 x 16mm <sup>2</sup> , 2 x 25mm <sup>2</sup>
<b>KL-29</b>	219	29 x 16mm <sup>2</sup> , 2 x 25mm <sup>2</sup>
<b>KL-45</b>	331	45 x 16mm <sup>2</sup> , 2 x 25mm <sup>2</sup>
<b>KL-60</b>	443	60 x 16mm <sup>2</sup> , 2 x 25mm <sup>2</sup>
<b>KLM</b>	1000	n x 16mm <sup>2</sup>

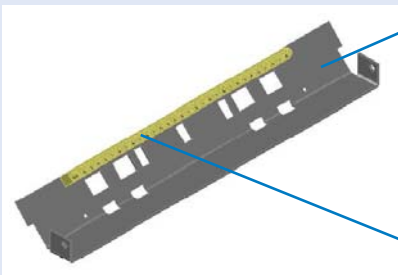


VT01805

**KLA** connection terminal for 35 mm<sup>2</sup>

## Possible variants of equipping of support bars BPZ-TSB with terminals (KLV-)KL

### For board width 400 mm

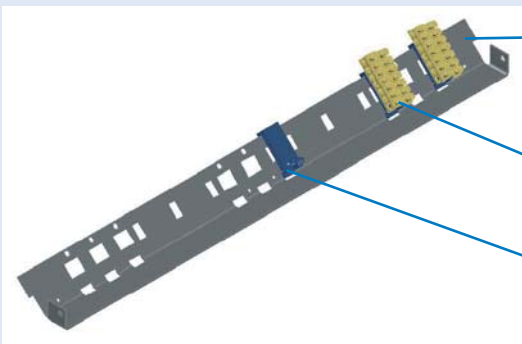


xhp\_023-0-00

Mounting directly onto BPZ-TSB bar – for branching of PE, PEN conductors

(KLV-)KL... terminals

### For board width 600 mm



xhp\_023-0-01

Mounting of terminal onto KT-5 holder, terminals in vertical (max. KL-15) – for branching of L, N conductors down stream to residual current device

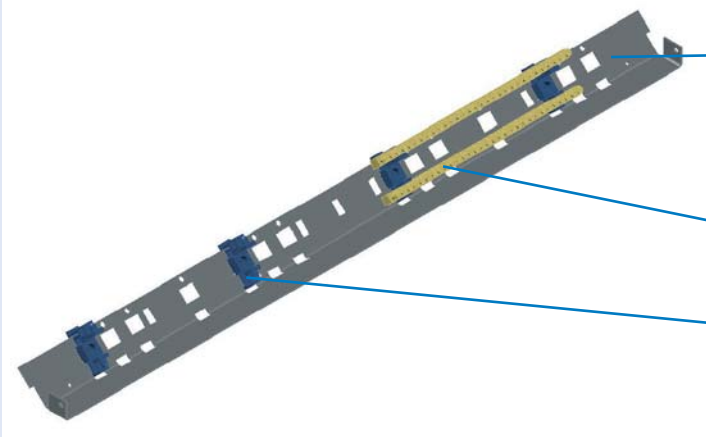
KL... terminals

KT-5 terminal holder, vertical mounting



# Distribution Boards

For board width 800 mm



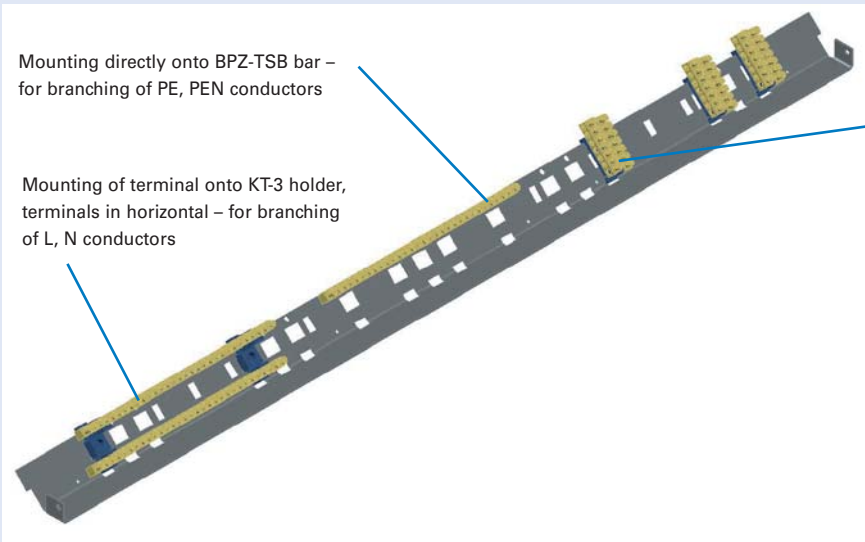
Mounting of terminal onto KT-3 holder, terminals in horizontal – for branching of L, N conductors

(KLV-)KL... terminals

KT-3 terminal holder, horizontal mounting

xbrp\_023-0-02

For board width 1000 mm

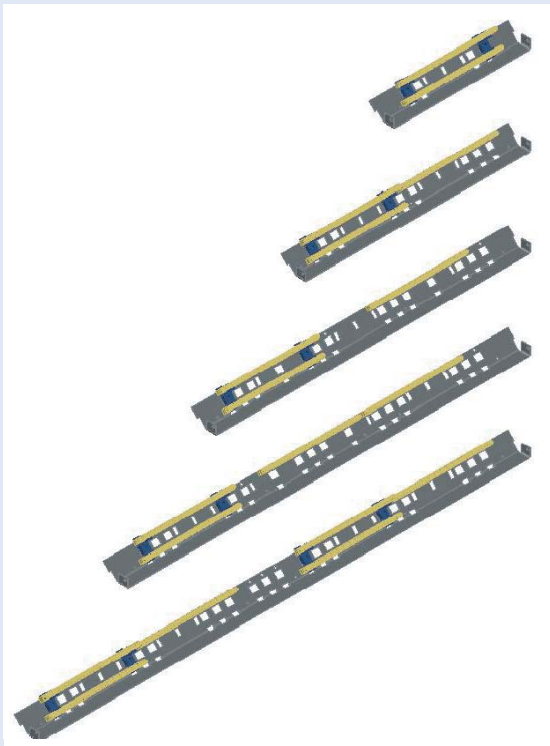


Mounting directly onto BPZ-TSB bar – for branching of PE, PEN conductors

Mounting of terminal onto KT-3 holder, terminals in horizontal – for branching of L, N conductors

Mounting of terminal onto KT-5 holder, terminals in vertical (max. KL-15) – for branching of L, N conductors down stream to residual current device

xbrp\_023-0-03



W = 400

W = 600

W = 800

W = 1000

W = 1200

Mounting of L/N/PE terminals: standard combinations for different board widths

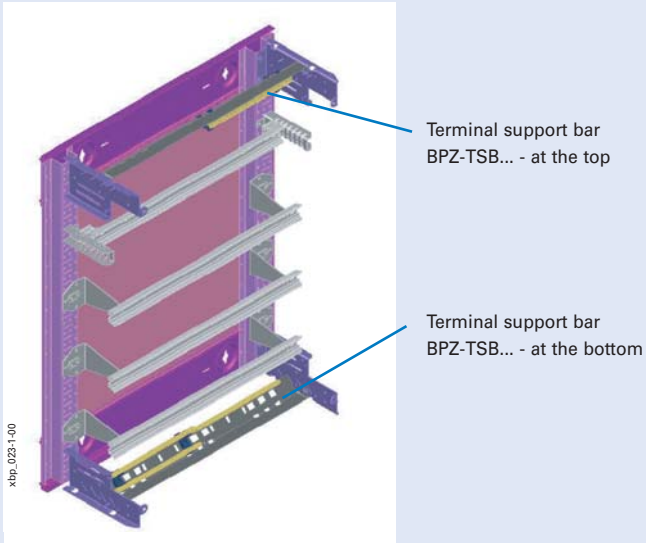
xbrp\_023-0-04

xEnergy Basic

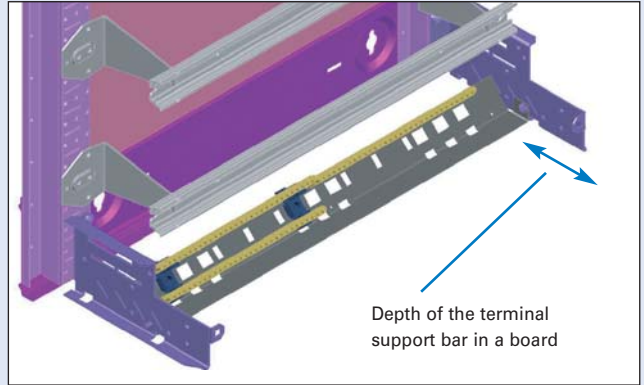
# Distribution Boards

## Placing of BPZ-TSB bar inside a board

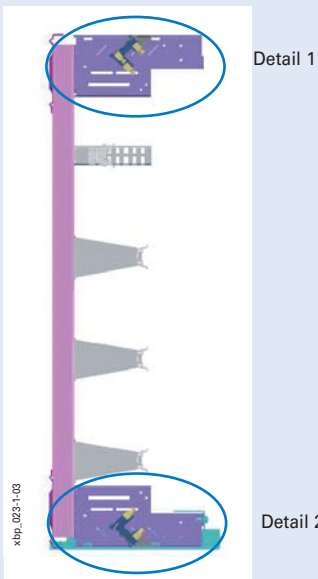
- Suitable only for surface mounted or floor-standing boards



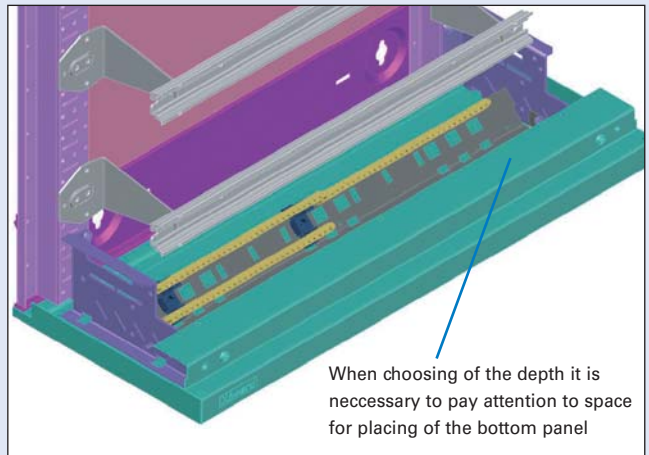
Detail



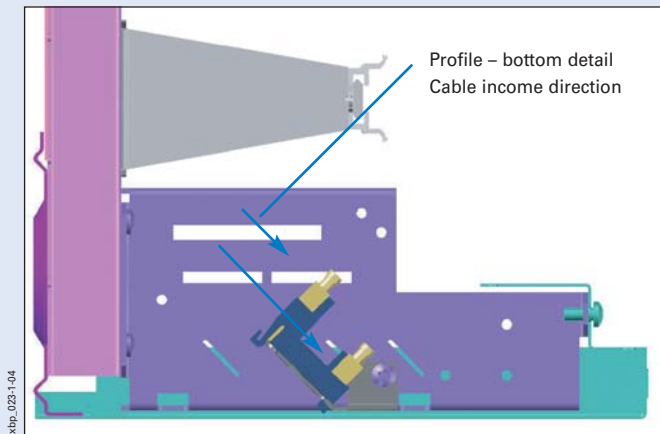
Profile



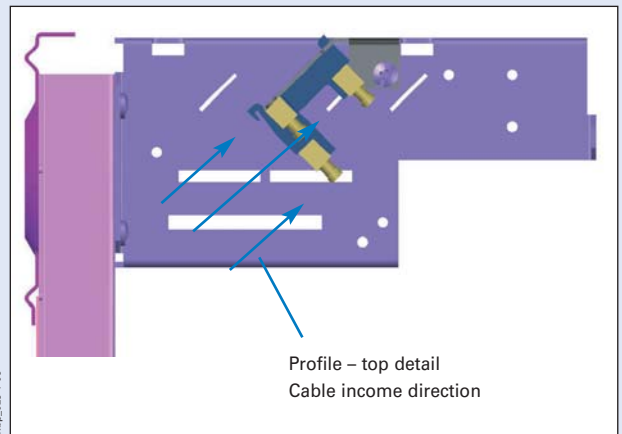
Detail



Detail 1 – profile



Detail 2 – profile



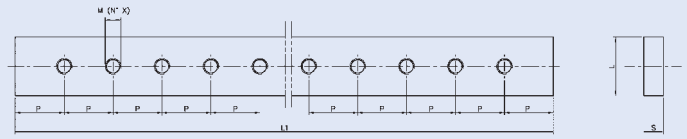
# Distribution Boards

## General Accessories

### Busbar with Thread, BPZ-BB/T

- Dimensions (mm)

	L	S	P	L1	ØM	N°	Rated Current (A) (Busbar temperature 65°C)
BPZ-BB/T-15/5/1000	15	5	25	1000	M6	39x	218
BPZ-BB/T-20/5/1000	20	5	25	1000	M6	39x	274
BPZ-BB/T-32/5/1000	32	5	25	1000	M6	39x	400
BPZ-BB/T-15/5/2000	15	5	25	2000	M6	79x	218
BPZ-BB/T-20/5/2000	20	5	25	2000	M6	79x	274
BPZ-BB/T-30/5/2000	20	5	25	2000	M6	79x	379
BPZ-BB/T-30/10/1000	30	10	25	1000	M8	39x	573



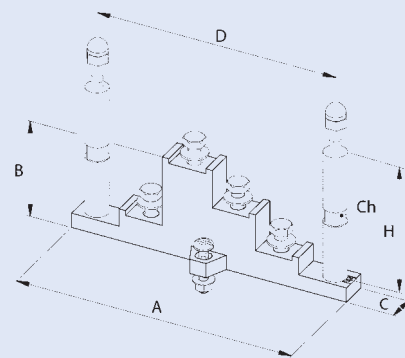
- Scope of delivery: 4 Busbars (art. no. is created as 1 piece)

### 4-pole Busbar Support, BPZ-BBS-4

#### BPZ-BBS-4/250

- Rated current 150-250 A
- Mounting position: vertical, horizontal
- For busbars featuring threads M6, 15 x 5 and 20 x 5 mm
- Material: PA66 reinforced with 30% percentage of glass fiber
- Flame resistance: self-extinguishing according UL94/V-0
- Halogen free: Yes
- Compact construction
- Holes for fixing with M6 screws
- Easy to mount onto a mounting plate or special prepared brackets
- Additional fixing of protective cover BPZ-PC/BBS250/800-160-25
- Continuous operating temperature: +130°C
- Max. distance between the busbar supports in mm in case of one busbar per phase

Bar cross section	Icc pk (kA)	11	14	24	32
		Icc rms (kA)	7	8	12
	In (A)	Distance (mm)			
15 x 5	150	561	455	258	150
20 x 5	250	647	526	266	150



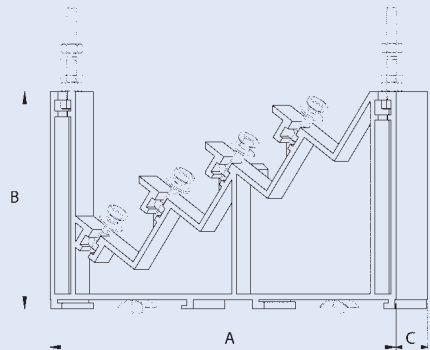
A	B	C	D	H	Ch
mm	mm	mm	mm	mm	mm
150	54	16	130	70	10

- Scope of delivery: 1 busbar holder, 2 spacers, fixing material

#### BPZ-BBS-4/630

- Rated current 150-630 A
- Mounting position: vertical, horizontal
- For busbars featuring threads M6, 15 x 5, 20 x 5, 32 x 5, 30 x 5 and 30 x 10 mm
- Material: PA66 reinforced with 35% percentage of glass fiber
- Flame resistance: self-extinguishing according UL94/V-0
- Halogen free: Yes
- Compact construction
- Easy to mount onto a DIN-rail, onto a mounting plate or special prepared brackets
- Contact protection with height adjustable plastic possible
- Continuous operating temperature: +125°C
- Max. distance between the busbar supports in mm in case of one busbar per phase

Bar cross section	Icc pk (kA)	11	14	24	32	48
		Icc rms (kA)	7	8	12	15
	In (A)	Distance (mm)				
15x5	150	682	554	314	250	100
20x5	250	788	640	363	261	100
32x5	400	980	980	410	261	100
20x10	500	980	980	410	261	100
30x10	630	980	980	410	261	100



A	B	C
mm	mm	mm
216	117	34

- Scope of delivery: 1 busbar holder, fixing material

### Mounting elements for 4-pole Busbar Support 250 A, BPZ-BR/BBS250/V-200

- For horizontal mounting of the 4-pole Busbar Support BPZ-BBS-4/250 onto composition holmes of a 200 mm width compartment.  
Busbars are in vertical direction.
- Material: Sheet steel (2 mm), zinc-coated
- Scope of delivery: 2 Mounting elements, fixing material

# Distribution Boards

## Mounting elements for 4-pole Busbar Support 630 A, BPZ-BR/BBS630/V

- For horizontal mounting of the 4-pole Busbar Support BPZ-BBS-4/630/V onto composition holmes of a 400 mm width enclosure (or a 400 mm width compartment). Busbars are in vertical direction.
- Material: Sheet steel (2 mm), zinc-coated
- Scope of delivery: 2 Mounting elements, fixing material

## Mounting elements for DIN-Rail respectively DIN-Rail Kit, BPZ-BR/DINR/V-200

- For vertical mounting of the DIN-Rail onto composition holmes of a 200 mm width compartment
- Material: Sheet steel (1.5 mm), zinc-coated
- Scope of delivery: 2 Mounting elements, fixing material

## Device rail Set, BPZ-DINR

- For mounting of installation devices

### With adjustable mounting depth BPZ-DINR...T

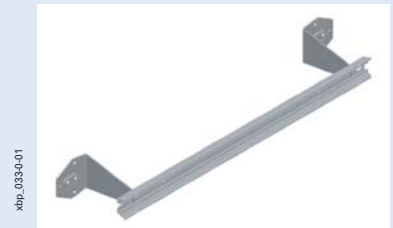
- Scope of delivery: device rail, 2 adjustable towers, 2 BEL01 fastening elements, fixing material
- Delivered in packs with 10 sets only

### With fixed mounting depth BPZ-DINR...B

- Scope of delivery: device rail, 2 fixed towers, fixing material
- Delivered in packs with 10 sets only
- Conductive connection is type tested



xbp\_033-0-00



xbp\_033-0-01

## Towers for device rail, BPZ-T./2

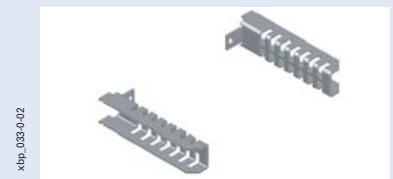
- For mounting of device rails (without BPZ-MSW)

### With adjustable depth BPZ-TA/2

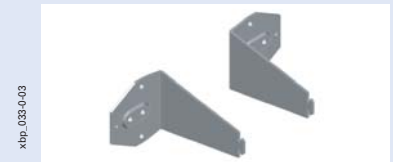
- Enables set of mounting depth with 12 mm stepsize
- Scope of delivery: 2 adjustable towers, fixing material

### With fixed depth BPZ-TF/2

- Scope of delivery: 2 fixed towers, fixing material
- Conductive connection is type tested



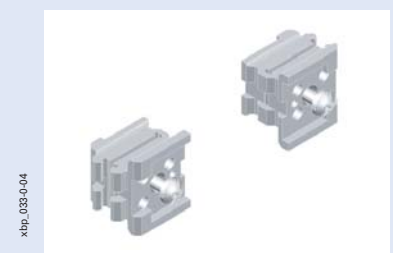
xbp\_033-0-02



xbp\_033-0-03

## Fastening elements, BEL

- For mounting device rails onto adjustable towers BPZ-TA or onto mounting side walls BPZ-MSW
- White BEL12 - ungrounded fastening element
- Green BEL01 - grounded fastening element
- Unmounted BEL12A - ungrounded and unmounted fastening element
- Scope of delivery: 2 fastening elements

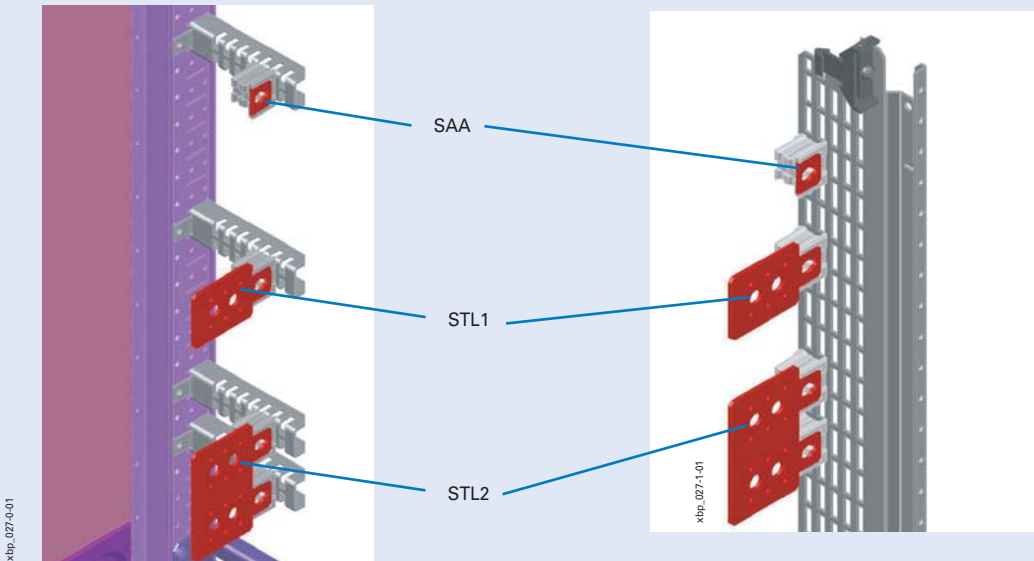


xbp\_033-0-04

# Distribution Boards

## Adaptors, SAA, STL

- Adaptors SAA are intended to align the dip in BEL.  
With the adaptors, it is possible to mount panels and other equipment which is not designed for BEL onto these fastening elements
- Holders STL can be used in the same way as SAA. These holders are enlarged by mounting extension.



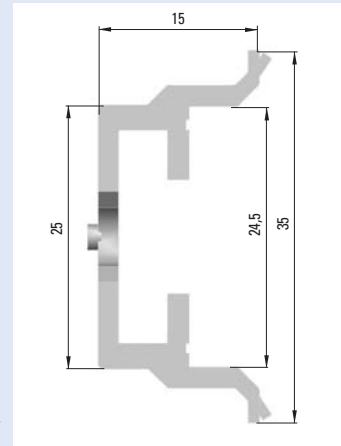
# Distribution Boards

## Device rails, BPZ-DINR

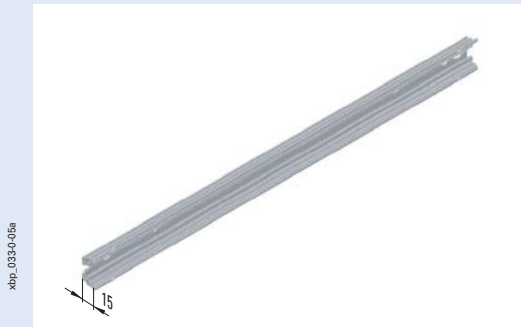
- For mounting of the Installation devices
- Material: Aluminium
- Scope of delivery: 1 device rail

### Dimensions [mm]

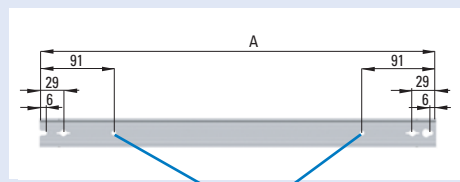
Type	Outside dimensions		
	Height	Width A	Depth
BPZ-DINR13-400	35	288	15
BPZ-DINR24-600	35	488	15
BPZ-DINR35-800	35	688	15
BPZ-DINR46-1000	35	888	15
BPZ-DINR57-1200	35	1088	15



xbp\_033-0-05e

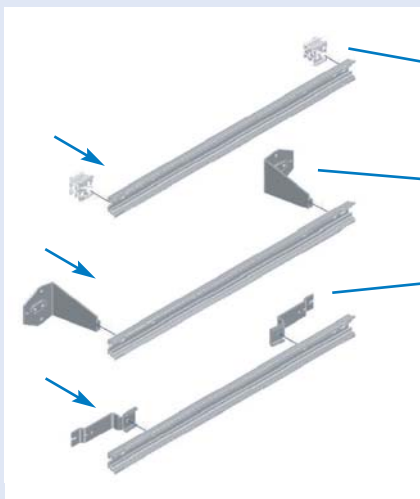


xbp\_033-0-05a



xbp\_033-0-05c

Holes for mounting of cable duct angles KKW



xbp\_033-0-06

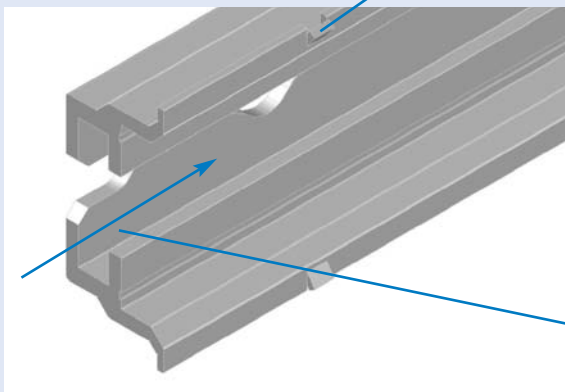
Fastening element BEL for mounting of rail onto tower BPZ-TA or side wall BPZ-MSW.

Tower BPZ-TF for mounting of the rail onto rear frame.

Angle KKW-... for mounting of cable ducts (device rail has to be shortened according to width of the cable duct) – for details see applications of KKW angles

### Detail of device rail profile

Stops defining active area of the rail which can be equipped with devices (with respect to cutout in the front plates BPZ-FP-...)



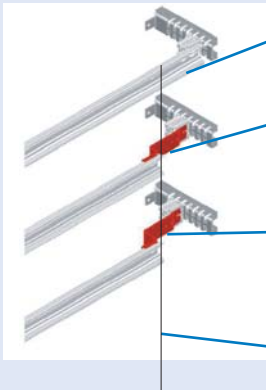
xbp\_033-0-05d

The groove can be used for inserting of slide nuts EGM-4, EGM-5, or for EGM-F (in combination with EGM-4, EGM-5)

# Distribution Boards

## Cable duct angles, KKW

- For mounting cable ducts featuring a depth of 60 mm (KKW-40) or 80 mm (KKW-DIN)
- Material: sheet steel, zinc-coated
- Scope of delivery: 1 cable duct angle



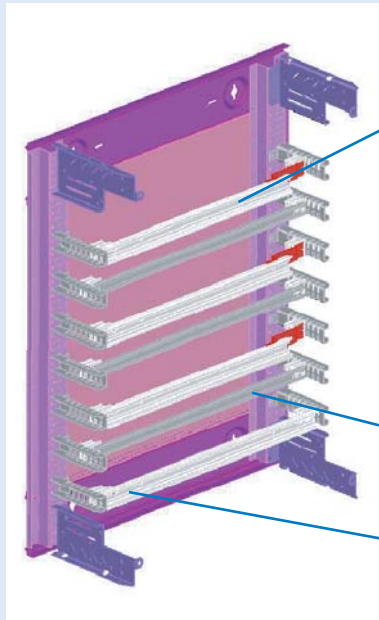
Standard (not shortened) device rail  
Fixing element BEL in depth (2)

KKW-40  
Mounting of cable ducts of depth of 60 mm  
Fixing element BEL in depth (4)

KKW-DIN  
Mounting of cable ducts of depth of 80 mm  
Fixing element BEL in depth (5)

Length of the rail must be cut out according to width of the vertical cable duct. Maximum width of the cable duct is 80 mm.

xbp\_028-0-00



Shortened device rail with angle KKW-40 (for cable ducts of depth of 60 mm)  
\* Fixing element BEL in depth (2) on the left, in depth (4) on the right (at side with angle KKW).

Shortened device rail with angle KKW-DIN (for cable ducts of depth of 80 mm).

\* Fixing element BEL in depth (2) on the left, in depth (5) on the right (at side with angle KKW).

Length of the rail must be cut out according to width of the vertical cable duct. Maximum width of the cable duct is 80 mm.

Rail BPZ-CP for mounting of horizontal cable duct  
\* depth (4) (for cable duct of depth 60 mm)  
\* depth (5) (for cable duct of depth 80 mm)

Standard length device rail in depth (2) (for mounting of modular devices)

xbp\_028-1-00

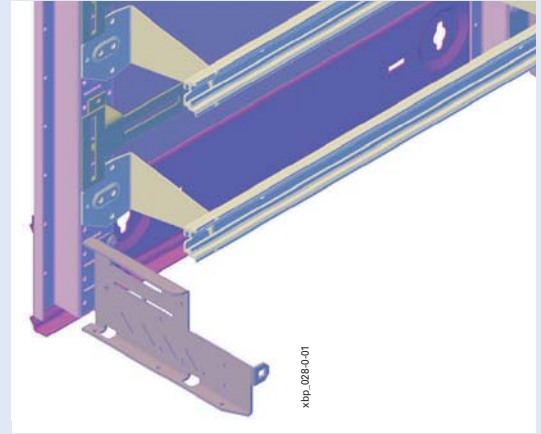
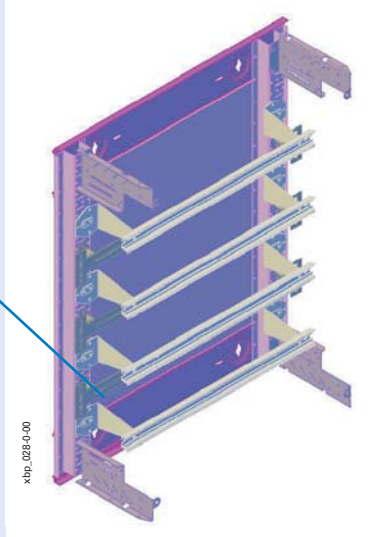
# Distribution Boards

## Fixing elements for cable duct, BPZ-CDB

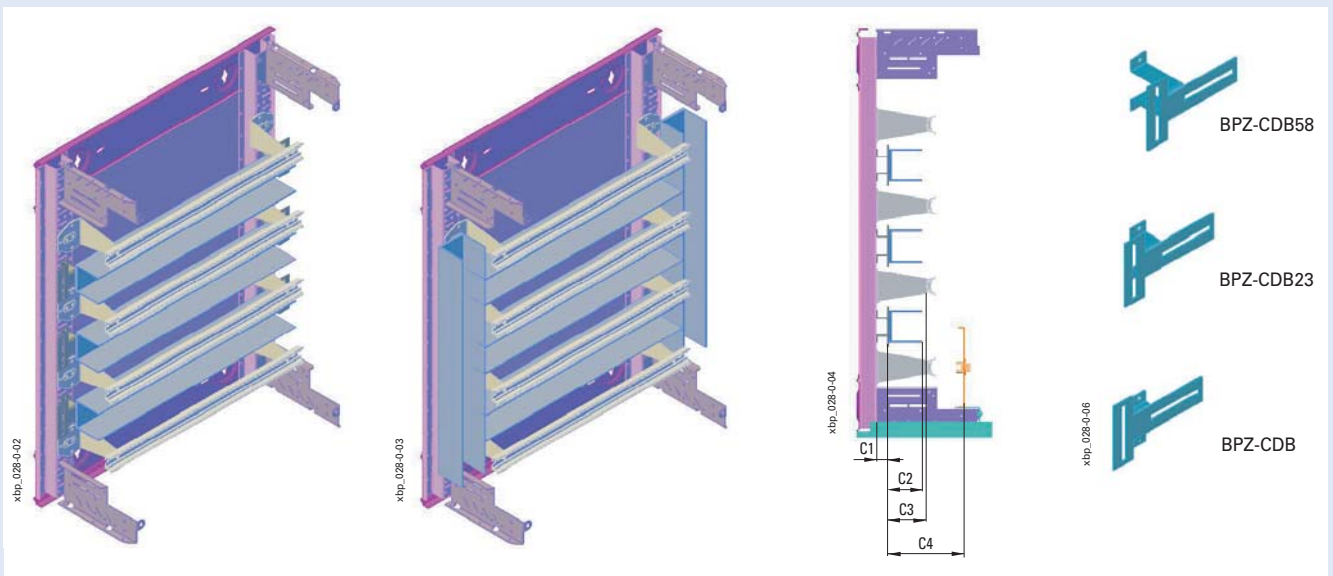
- For mounting cable ducts featuring a depth of 80 mm (BPZ-CDB), 60 mm (BPZ-CDB23) or 40 mm (BPZ-CDB58) for surface-mounted or floor-standing distribution boards
- For board width 400, 600 mm
- For larger widths fixing elements BPZ-CDB../CP are used
- Material: Sheet steel, zinc-coated
- Scope of delivery: 2 fixing elements, fixing material

### Detail of mounting and applications

Cable duct fixing elements BPZ-CDB. Mounting onto rear frame (only for surface-mounted and floor-standing boards). A type is chosen according to height of the cable duct.



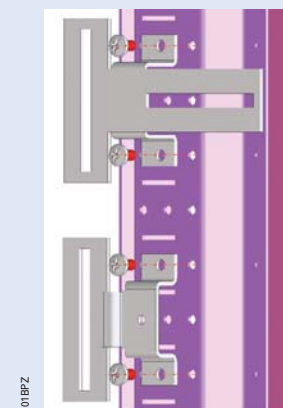
## Fixing elements BPZ-CDB equipped with cable ducts (for board of width of 400, 600 mm)



### Dimensions [mm]

Type	Fixing element height	Recommended height of the cable duct	Maximum height of the vertical cable duct	Maximum height of the horizontal cable duct
	C1	C2	C3	C4
BPZ-CDB	8	80	85	150
BPZ-CDB23	23	60	70	135
BPZ-CDB58	58	40	40	100

### Detail of mounting



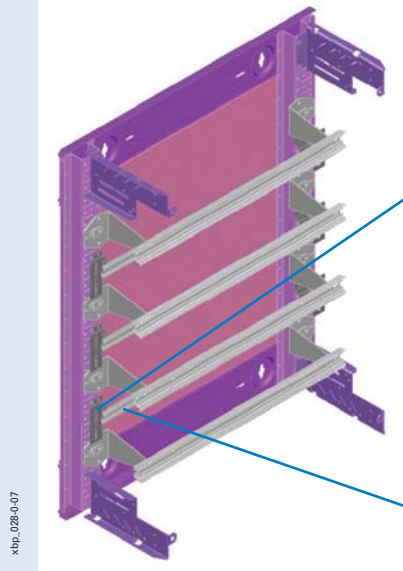


# Distribution Boards

## Fixing elements for cable duct, BPZ-CDB../CP

- For mounting cable ducts featuring a depth of 80 mm (BPZ-CDB8/CP respectively BPZ-CDB08/CP), 60 mm (BPZ-CDB23/CP) or 40 mm (BPZ-CDB49/CP respectively BPZ-CDB58/CP) for surface-mounted or floor-standing distribution boards
- For board with 600 to 1200 mm
- Fixing elements are supplemented with rails BPZ-CP
- Material: sheet steel, zinc-coated
- Scope of delivery: 2 fixing elements, fixing material

### Detail of mounting and application



Fixing elements for cable ducts BPZ-CDB-...

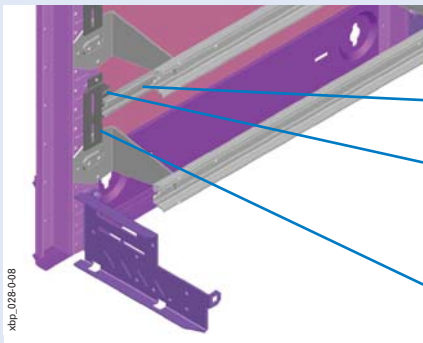
Mounting onto rear frame (only for surface-mounted and floor-standing boards) for widths 800 mm and larger.

A type is chosen according to height of the cable duct. Cable duct is assembled onto C-profile rail which is mounted with the fixing element. An advantage – better mechanical stability of the cable duct.

xhp\_028-0-07

C-profile rail BPZ-CP-...

## Fixing elements BPZ-CDB equipped with cable ducts (for board of width of 800 to 1200 mm)

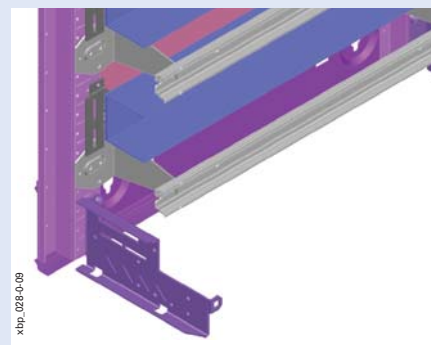


C-profile rail BPZ-CP-...

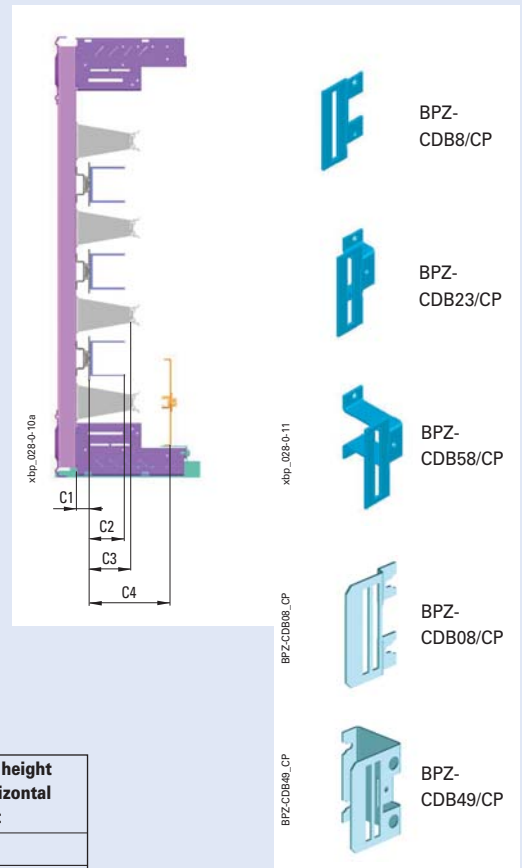
Mounting in between two device rails onto mounting frame to the hole nearest to board center

Cable duct fixing elements BPZ-CDB-...

xhp\_028-0-08



xhp\_028-0-09



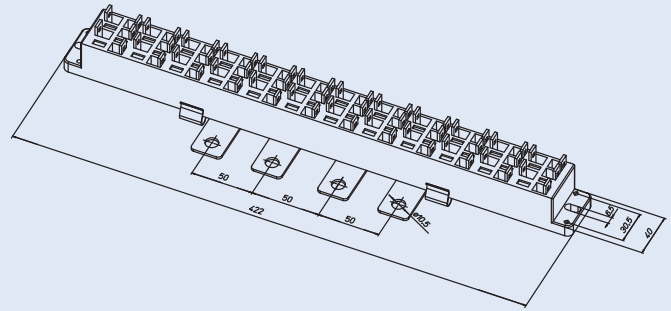
### Dimensions [mm]

Type	Fixing element height	Recommended height of the cable duct	Maximum height of the vertical cable duct	Maximum height of the horizontal cable duct
	C1	C2	C3	C4
BPZ-CDB8/CP	7	80	85	150
BPZ-CDB08/CP	8	80	85	150
BPZ-CDB23/CP	24	60	70	135
BPZ-CDB49/CP	49	40	45	105
BPZ-CDB58/CP	54	40	40	100

# Distribution Boards

## 4-Phase Busbar, BPZ-KB-24/250

- It is a 250 A busbar intended to supply a row of modular devices
- Max. current rating for every output is 63 A
- Outputs: 12 outputs per phase, neutral wiring 24 outputs
- Each connector automatically locks, which guarantees high security
- No risk of direct contact, according to IP20
- Dimensions (L x W x H): 427 x 40 x 50 mm
- Scope of delivery: 1 pc. 4-Phase busbar



## Mounting Elements for 4-Phase Busbar, BPZ-BR/KB24

- For mounting a 4-phase busbar onto an NZM-mounting plate or onto composition holmes rear
- Material: Sheet steel, zinc-coated
- Scope of delivery: 2 Mounting elements, fixing material

## Flexible Connector for 4-Phase Busbar, BPZ-P

- For connecting a 4-phase busbar
- In 6 mm<sup>2</sup> or 10 mm<sup>2</sup>
- Length: 120 or 320 mm
- Scope of delivery: 1 Flexible connector

## 1-pole terminal block BPZ-KB

### BPZ-KB

- For copper conductors
- Mounting onto device rail and/or mounting plate
- UL-listed
- Time-saving on wiring
- Saves 80 % on space used
- Modular construction allowing to build systems of 1 to 4 poles by using several blocks
- Scope of delivery: 1 1-pole terminal block

### Technical data

	Rated current	Degree of protection	Inputs (mm <sup>2</sup> )	Torque (Nm)	Outputs (mm <sup>2</sup> )	Torque (Nm)	Connection	Dimensions L x W x H (mm)
BPZ-KB-4/80	80 A	IP20	1x 2.5-16	1.5-3	4x 2.5-6 2x 2.5-16	0.8-1.5 1.5-3	–	66 x 27 x 47
BPZ-KB-6/125	125 A	IP20	1x 10-35 1x 6-16	3.5-5 3.5-5	6x 2.5-16	2-3	–	92 x 35 x 49
BPZ-KB-2/8/125	125 A	IP10	2x 10-35 (solid wire) 2x 6-25 (fine wire)	8 8	2x 2.5-25 (solid wire) 6x 1.5-16 (solid wire) 2x 1.5-16 (fine wire) 6x 1.5-10 (fine wire)	2 2 2 2	–	91 x 27 x 51.2
BPZ-KB-6/160	160 A	IP20	1x 10-70	5-6	6x 2.5-16	1.5-3	lateral parallel connection possible with Cu 15 x 5	74 x 27 x 47
BPZ-KB-2/11/160	160 A	IP10	2x 25-70 (solid wire) 2x 16-50 (fine wire)	9 9	3x 2.5-25 (solid wire) 8x 1.5-16 (solid wire) 3x 1.5-16 (fine wire) 8x 1.5-10 (fine wire)	2 2 2 2	–	91 x 36 x 51.2
BPZ-KB-10/175	175 A	IP20	1x 16-70	6-10	10x 2.5-16	3-4	–	71 x 45 x 42.5
BPZ-KB-11/250	250 A	IP20	1x 35-120	19-21	2x 6-35 5x 1.5-16 4x 1.5-10	3.5-7 2-3 2-3	–	95.5 x 44.5 x 49
BPZ-KB-2/400	400 A	IP20	1x 95-240 (solid wire) 1x 70-185 (fine wire)	25 25	2x 50-120 (solid wire) 2x 35-95 (fine wire)	19 19	–	103 x 44.4 x 50.2
BPZ-KB-6/400	400 A	IP20	1x 95-240 (solid wire) 1x 70-185 (fine wire)	25 25	6x 10-50 (solid wire) 6x 6-35 (fine wire)	3.5-7 3.5-7	–	103 x 44.4 x 50.2
BPZ-KB-11/400	400 A	IP20	1x 95-185	25	2x 6-35 5x 1.5-16 4x 1.5-10	3.5-7 2-3 2-3	–	95.5 x 44.5 x 49

xEnergy Basic

# Distribution Boards

## BPZ-KB-...-ALU

- For copper as well as aluminium conductors
- Mounting onto device rail and/or mounting plate
- UL-listed
- Time-saving on wiring
- Saves 80 % on space used
- Modular construction allowing to build systems of 1 to 4 poles by using several blocks
- Scope of delivery: 1 1-pole terminal block

### Technical data

	Rated current	Degree of protection	Inputs (mm <sup>2</sup> )	Torque (Nm)	Outputs (mm <sup>2</sup> )	Torque (Nm)	Connection	Dimensions L x W x H (mm)
BPZ-KB-6/80-ALU	80 A / 63 A	IP20	1x 2.5-16	1.5-3	4x 2.5-6 2x 2.5-16	0.8-1.5 1.5-3	–	66 x 27 x 47
BPZ-KB-6/125-ALU	125 A / 100 A	IP20	1x 10-35 1x 6-16	3.5-5 3.5-5	6x 2.5-16	2-3	lateral parallel connection possible with Cu 15 x 5	74 x 27 x 47
BPZ-KB-6/160-ALU	160 A / 125 A	IP20	1x 10-70 1x 6-16	5-6 3.5-5	6x 2.5-16	1.5-3	lateral parallel connection possible with Cu 15 x 5	92 x 35 x 49
BPZ-KB-1/175-ALU	175 A / 125 A	IP20	1x 16-70	6-11.4	1x 16-70	6-11.4	–	72 x 25 x 50
BPZ-KB-10/175-ALU	175 A / 125 A	IP20	1x 16-70	6-10	10x 2.5-16	3-4	–	71 x 45 x 42.5
BPZ-KB-11/250-ALU	250 A / 200 A	IP20	1x 35-120	19-21	2x 2.5-35 5x 2.5-16 4x 2.5-10	3.5-7 2-3 2-3	–	95.5 x 44.5 x 49
BPZ-KB-1/400-ALU	400 A / 300 A	IP20	1x 35-240	20	1x 35-240	20	–	145 x 40 x 80
BPZ-KB-2/400-ALU	400 A / 350 A	IP20	1x 95-240 (solid wire) 1x 70-185 (fine wire)	25 25	2x 50-120 (solid wire) 2x 35-95 (fine wire)	19 19	–	103 x 44.4 x 50.2
BPZ-KB-6/400-ALU	400 A / 350 A	IP20	1x 95-240 (solid wire) 1x 70-185 (fine wire)	25 25	6x 10-50 (solid wire) 6x 6-35 (fine wire)	3.5-7 3.5-7	–	103 x 44.4 x 50.2
BPZ-KB-11/400-ALU	400 A / 300 A	IP20	1x 95-185	25	2x 2.5-35 5x 2.5-16 4x 2.5-10	3.5-7 2-3 2-3	–	95.5 x 44.5 x 49
BPZ-KB-1/2/800-ALU	800 A / 630 A	IP20	1x 35-300	25-35	2x 35-300	25-35	–	145 x 72 x 80
BPZ-KB-2/2/800-ALU	800 A / 630 A	IP20	2x 35-300	25-35	2x 35-300	25-35	–	145 x 72 x 80
BPZ-KB-2/1100-ALU	1100 A / 900 A	IP10	1x 95-500 (solid wire) 1x 95-500 (fine wire)	80 80	2x 50-300 (solid wire) 2x 50-240 (fine wire)	50 50	–	202 x 89.6 x 107

# Distribution Boards

## Connection latch for 1-pole terminal block BPZ-CL

- BPZ-CL-65/25 suitable for BPZ-KB-11/250
- BPZ-CL-70/35 suitable for BPZ-KB-11/400
- Dimensions (L x W x H)  
BPZ-CL-65/25: 7 x 65 x 25 mm  
BPZ-CL-70/35: 9 x 70 x 30 mm
- Scope of delivery: 1 connection latch

## Connection bar 27 mm for 1-pole terminal blocks BPZ-CB

- Suitable for BPZ-KB-6/125
- Dimensions (L x W x H): 16 x 44 x 14 mm
- Scope of delivery: 1 connection bar

## 3-pole Terminal Block

### BPZ-KB-6/175

- Mounting onto DIN-rail and mounting plate
- UL-listed
- Time-saving on wiring
- Saves 80% of space used
- Modular construction allowing to build systems of 1 to 4 poles by using several blocks
- Protection class: IP20
- Max. operating voltage 1000V AC, 1500V DC
- Scope of delivery: 1 3-Pole terminal block

### Technical Data

	BPZ-KB-6/175	
		torque (Nm)
Rated current	175 A	
Input (mm <sup>2</sup> )	1 x 16-70	6-10
Outputs (mm <sup>2</sup> )	6 x 2.5-16	3-4
Connection	–	
Dimensions L x W x H (mm)	80 x 71.5 x 42.5	

### BPZ-KB-6/175-ALU

- Aluminium design
- Mounting onto DIN-rail and mounting plate
- UL-listed
- Time-saving on wiring
- Saves 80% of space used
- Modular construction allowing to build systems of 1 to 4 poles by using several blocks
- Protection class: IP20
- Max. operating voltage 1000V AC, 1500V DC
- Scope of delivery: 1 3-Pole terminal block

### Technical Data

	BPZ-KB-6/175-ALU	
		torque (Nm)
Rated current (Cu / Al)	175 A / 125 A	
Input (mm <sup>2</sup> )	1 x 16-70	6-10
Outputs (mm <sup>2</sup> )	6 x 2.5-16	3-4
Connection	–	
Dimensions L x W x H (mm)	80 x 71.5 x 42.5	

# Distribution Boards

## 4-pole Terminal Blocks, BPZ-KB

- Mounting onto DIN-rail and mounting plate
- Max. operating voltage  
BPZ-KB-9/125: 690V AC/DC  
BPZ-KB-13/125: 690V AC/DC  
BPZ-KB-8/125: 1000C AC/1500V DC  
BPZ-KB-11/160: 1000C AC/1500V DC
- Scope of delivery: 1 4-Pole terminal block

### Technical Data

	BPZ-KB-8/125		BPZ-KB-9/125		BPZ-KB-13/125		BPZ-KB-11/160	
		torque (Nm)		torque (Nm)		torque (Nm)		torque (Nm)
Rated current	125 A		125 A		125 A		160 A	
Inputs per pole (mm <sup>2</sup> )	1 x 6-35	1,5	2 x 6-35	1,5	2 x 6-35	1,5	1 x 10-35	3,5-5
Outputs per pole (mm <sup>2</sup> )	3-poles x (5 x 1,5-6 / 2 x 4-16)	0,8-1,5	7 x 2,5-10	1,5	9 x 1,5-10	1,5	3 x 6-35	3,5-5
	1-pole x (4 x 1,5-10 / 6 x 4-16)	1,5						
Dimensions L x W x H (mm)	74,5 x 98 x 49		102 x 89 x 48		103 x 126 x 48		87 x 162 x 50	

## Lifting-Eye Bolt, BPZ-LE

- For transporting the distribution board by crane, high-lift truck, etc.
- To be mounted onto the top of the floor-standing distribution board
- Max. static tensile force: 1400 N each, total 3800 N
- Weight: approx. 0.2 kg
- Scope of delivery: 4 Lifting-eye bolts

## Flask with Brush Applicator, BPZ-CPS, PAINT-RAL

- For sanding scratches in RAL 7035, 9010 or 9016
- Scope of delivery: 1 Flask with brush applicator

# Distribution Boards

## Door grounding set, BFZ-DES

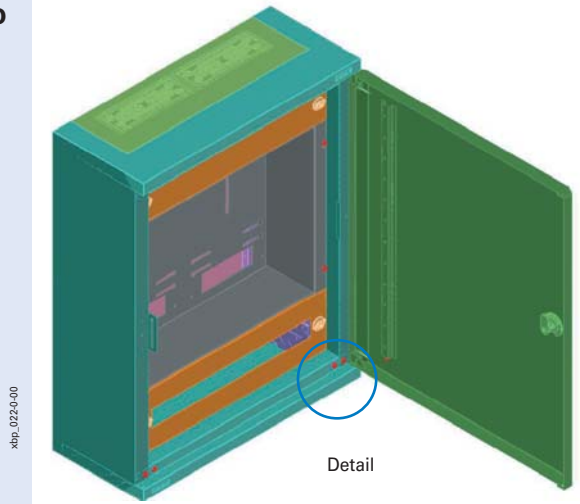
- In scope of delivery of all Profi Plus doors
- For grounding the door
- Length: 300 mm
- Cross section: 6 mm<sup>2</sup>
- Scope of delivery: 1 grounding wire with pre-fitted eyelets, fixing material

### Door grounding

- For earthing, the threaded pin on the door and pressed nut in the frame are used. The grounding is done by connection of these points via BFZ-DES

## Surface mounted boards

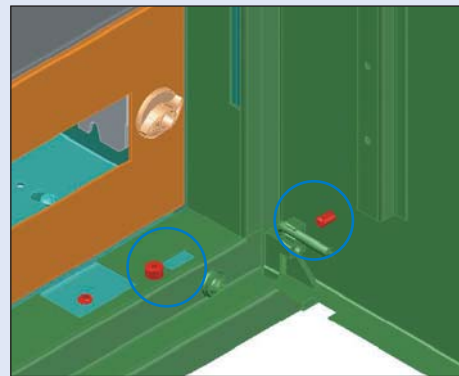
### BP-O



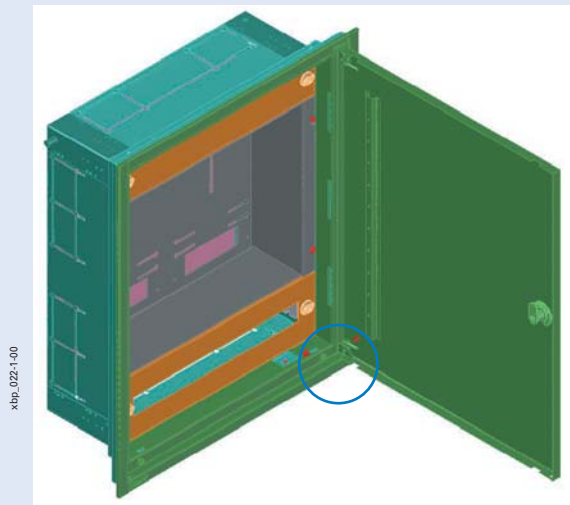
## Conductive connection of Profi Plus boards

- Side panels and top / bottom panels are connected with the base frame via self-earthing screws (in scope of delivery)
- Front plates of all designs are connected by means of self-earthing fasteners. Conductive connection of the front plates with frame is type tested
- Device rails are connected with side panels BPZ-MSW or towers via fastening elements BEL
- Meter throughs are connected with the base frame via self-earthing screws

### Detail



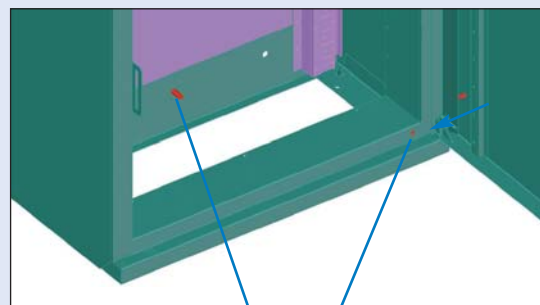
## Flush mounted boards BP-U



## Floor-standing boards BP-F



### Detail



Connection of earthing set for door.  
Nut in the board frame and earthing screw on the door

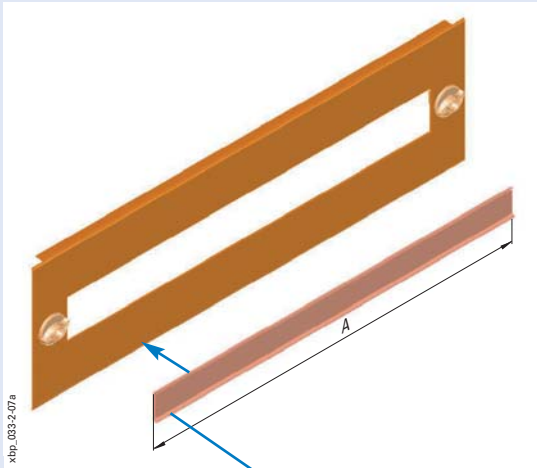
Central earthing screw in rear side of a board

# Distribution Boards

## Inscription strips, LAB-BAR

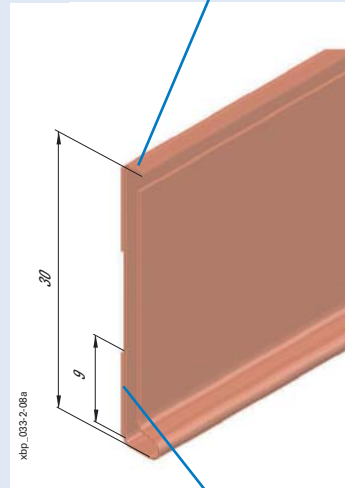
Dimensions [mm]

Type	Number of modules MU	Length A
LAB-BAR_13TE	13	228
LAB-BAR_24TE	24	420
LAB-BAR_46TE	46	805
LAB-BAR_57TE	57	998
LAB-BAR_1000	-	1000
LAB-BAR_3000	-	3000



**LAB-BAR**  
Inscription strips.  
Mounting onto front plate by means of  
self-sealing strips.

Detail To insert leave e.g.  
**LAB-TAPE-A4**



Self-sealing strip

## Enclosure leaves LAB-TAPE\_A4 for the inscription strips LAB-BAR

Technical data

**Empty:**

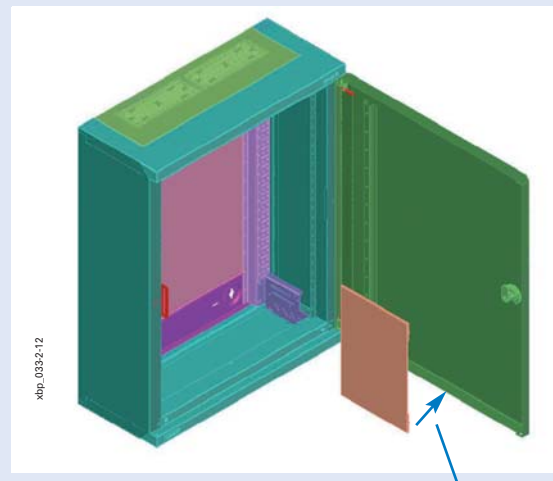
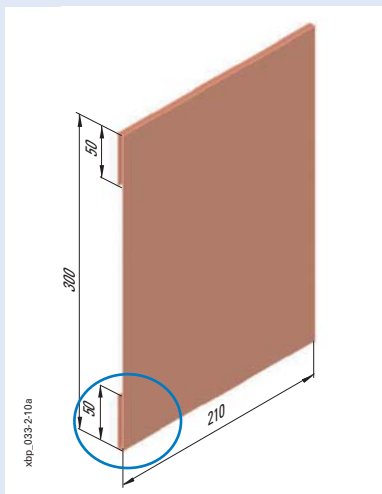
1 sheet contains 8 strips of width 27 mm and length 297 mm.  
Perforated for easy-to-remove.

**Imprinted:**

For device width	Numerical print
1,5MU	1-30
2MU	1-24
3MU	1-5
4MU	1-4

## Circuit diagram bag, LAB-BAG\_A4

Dimensions [mm]



Circuit diagram bag LAB-BAG  
can be fitted onto a door via two  
self-sealing strips at the top and  
bottom

# Distribution Boards

## Component overview for typical composition of Profi+

### Flush mounted board

- Wall box BPZ-WB3S-... Can be supplemented with rear panel BPZ-RP-...
- Door frame with door BP-U-S3-... for IP30, or BPM-U-3S-... for IP54
- Mounting side walls BPZ-MSW-...
- Auxiliary pawls BPZ-SNAP
- Device rails BPZ-DINR-... For build-up of the mounting frame with BPZ-MSW or BPZ-MPL. It is necessary to use at least 2 pcs. DIN-rails with BPZ-MSW.
- Fastening elements BEL for fixing of device rails. Each rail has to be fixed with at least one green element BEL1 to ensure conductive connection.
- Front plates BPZ-FP-...
- Other components and accessories according to particular configuration of given board (device rails BPZ-DINR-..., mounting plates BPZ-MPL-..., terminals (KLV-)KL-..., etc.).

### Surface mounted board IP30, version with mounting frame BPZ-MSW

- Base frame BP-MF-...
- Top / bottom panel BP-TBP-...
- If panels BP-TBP-...-CE are used, it is necessary to supplement them with cable plates BP-FLP-...
- Side walls BPZ-SP-MSW-...
- Door BP-DS-... For widths 1000 or 1200 mm there are two-wing door, both the wings are ordered separately
- Mounting sidewalls BPZ-MSW-...
- Device rails BPZ-DINR-... For build-up of the mounting frame with BPZ-MSW or BPZ-MPL. It is necessary to use at least 2 pcs. DIN-rails with BPZ-MSW.
- Fastening elements BEL for fixing of device rails. Each rail has to be fixed with at least one green element BEL1 to ensure conductive connection
- Front plates BPZ-FP-...
- Terminal support bar BPZ-TSB-...
- Other components and accessories according to particular configuration of given board (device rails BPZ-DINR-..., mounting plates BPZ-MPL-..., terminals (KLV-)KL-..., etc.).

### Surface mounted board IP30, version without mounting frame BPZ-MSW

- Base frame BP-MF-...
- Top / bottom panel BP-TBP-...
- If panels BP-TBP-...-CE are used, it is necessary to supplement them with cable plates BP-FLP-...
- Side walls BP-SP-...
- Door BP-DS-... For widths 1000 or 1200 mm there are two-wing door, both the wings are ordered separately
- Front plates BPZ-FP-...
- Terminal support bar BPZ-TSB-...
- Other components and accessories according to particular configuration of given board (device rails BPZ-DINR-..., mounting plates BPZ-MPL-..., terminals (KLV-)KL-..., etc.).

### Surface mounted board IP54, version with mounting frame BPZ-MSW

- Board BPM-O-...
- F3A flanges
- Corner tower set BPZ-CTS-L (2 pairs)
- Mounting side walls BPZ-MSW-...
- Device rails BPZ-DINR-... For build-up of the mounting frame with BPZ-MSW or BPZ-MPL. It is necessary to use at least 2 pcs. DIN-rails with BPZ-MSW.
- Fastening elements BEL for fixing of device rails. Each rail has to be fixed with at least one green element BEL1 to ensure conductive connection
- Front plates BPZ-FP-...
- Terminal support bar BPZ-TSB-...
- Other components and accessories according to particular configuration of given board (device rails BPZ-DINR-..., mounting plates BPZ-MPL-..., terminals (KLV-)KL-..., etc.).

### Surface mounted board IP54, version without mounting frame BPZ-MSW

- Board BPM-O-...
- F3A flanges
- Front plate support BPZ-FPS-...
- Front plates BPZ-FP-...
- Terminal support bar BPZ-TSB-...
- Corner tower set BPZ-CTS-L for fixing of BPZ-TSB (1 pair)
- Other components and accessories according to particular configuration of given board (device rails BPZ-DINR-..., mounting plates BPZ-MPL-..., terminals (KLV-)KL-..., etc.).

### Floor-standing boards

- Board BP-F-... for IP30
- Board BPM-F-... for IP54
- Other configuration is similar to surface mounted board IP54. Floor-standing boards can be supplemented with base BPZ-SS-..., BPZ-FS-...



# Distribution Boards

## Technical data of Profi+

### Application:

Stand alone or add-on distribution board.

### Construction:

The board consist of a 1.0 – 1.25 mm thick welled sheet steel. The rear wall is welded on the board as well. Roof- and bottom cable entries are prepared for F3A flange.

### Material:

Board: side parts 1.25 mm sheet steel, Top- Bottom panel 1.25 mm sheet steel  
Door: 1.25 mm sheet steel  
Rear wall: 1.0 mm sheet steel

### Surface area:

Board incl. rear wall: power coated, thickness >50µm  
Door: power coated >50µm

### Door:

Sheet steel 1.25 mm, curb 18 mm  
Right hinged (reversible door hinging possible)  
2 doors up to 1100 mm width  
Opening angle till 100°

### Door lock:

Standard: 3 point lock with clip down handle  
Optional: Two way bit and different cylinder locks

### Insert rail system:

Prepared to carry the system EP  
Mounting set BPZ-TW and EPTV1800 (for enclosure height 1910 mm), EPTV1950A-BP (for enclosure height 2060 mm) mounted left and right.  
Protecting covers are included within the board. The outer rails also.

### Accessories:

Ventilation louvers, mounting plates, flanges, lifting eye bolt, spray RAL 7035, set of wall brackets

### Cable entry:

F3A flange at the bottom and top of the board

### Protection class:

Protection class I

### Degree of protection:

Standards VDE0100, part 410 and IEC-EN 60529  
Closed door IP54, open door IP31  
Shock resistant IK08

### Color:

Board, door, base cover: RAL 7035 light grey

### Dimensions:

Inside:  
Height 1800, 1950 mm  
Width 250, 500, 750, 1000, 1250 mm  
Outside:  
Height 1910, 2060 mm  
Width 350, 600, 850, 1100, 1350 mm

### Cover for base:

Standard: 100/200 mm  
Cable interconnect frame: 100/200 mm

### Scope of delivery:

Complete board with door  
Top- bottom part prepared to mount F3A flange  
The angle BPZ-TW for mounting the left and right rail EPTV1800 (for enclosure height 1910 mm), EPTV1950A-BP (for enclosure height 2060 mm) is already pre-mounted, wall brackets BPZ-WW are included

### Electrical data:

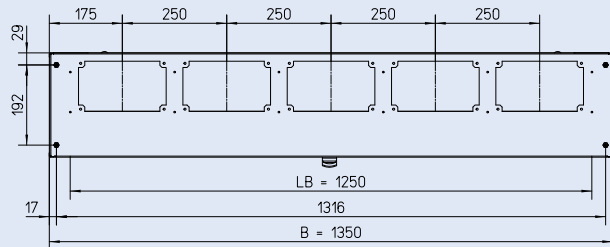
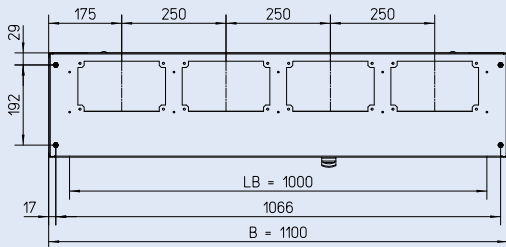
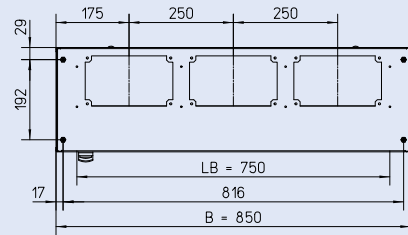
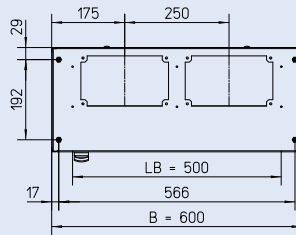
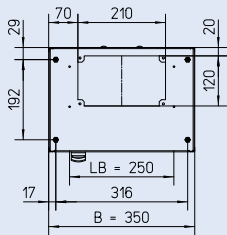
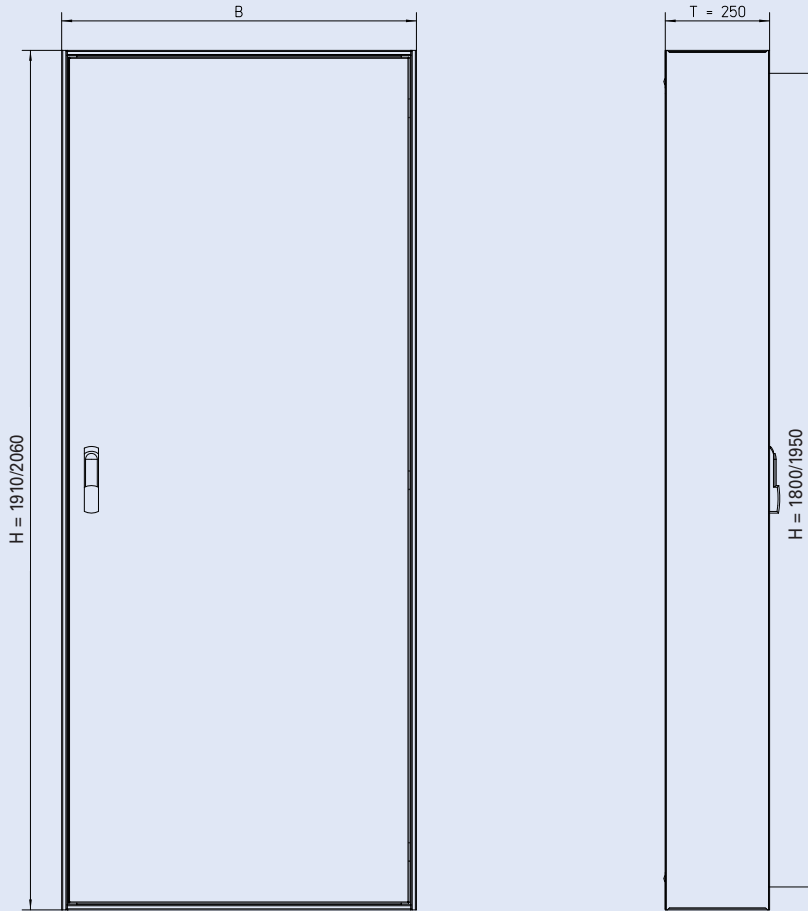
Rated isolation voltage AC	$U_i = 440 \text{ V}$
Rated voltage AC	$U_e = 415 \text{ V}$
Rated Frequency	$f = 50\text{-}60 \text{ Hz}$
Rated current	$I_e = 630 \text{ A}$
Isolation voltage	$U_{imp} = 4 \text{ kV}$
Ambient temperature	-5 up to +45 °C

### Design according to:

Type tested device combination according to IEC/EN 61439-1/2, IEC/EN 62208

# Distribution Boards

## Dimensions



xEnergy  
Basic

# Add-On Distribution Boards

## xEnergy Light Technical Data

### Electrical

Standards	IEC/EN 60439-1, IEC/EN 60439-3, IEC/EN 62208, IEC/EN 61439-1/2
Safety measure	Protection class I
Rated insulation voltage $U_i$	600 V
Rated operational voltage $U_e$	415 V
Rated impulse voltage $U_{imp}$	6 kV
Overtoltage category	IV
Pollution degree	3
Rated frequency	50Hz / AC
Rated current $I_e$ (busbars)	up to 2500 A
Rated short-time withstand current $I_{cw}$	65 kA (1s)
Rated peak withstand current $I_{pk}$	143 kA
Earth connections $I^2t$	
Base frame: Main earthing point - M10 screw	$50 \times 10^6 A^2s$
Side/rear panel: M6 taptite screw	$3.9 \times 10^6 A^2s$ per screw
Door: M6 welding bolt	$4.68 \times 10^6 A^2s$

Maximum power loss for all devices integrated in the distribution board (W) IP40/IP55 closed (side wall, rear wall, top, door)

Width x Depth (mm)	Height (mm)			
	1400	1600	1800	2000
425 x 300	-	201	-	233
425 x 400	-	-	-	301
425 x 500	-	-	-	357
425 x 600	-	-	-	395
425 x 800	-	-	-	483
600 x 300	242	268	305	355
600 x 400	-	333	370	383
600 x 500	-	-	408	432
600 x 600	-	436	456	483
600 x 800	-	-	-	581
800 x 300	-	371	391	408
800 x 400	-	420	441	466
800 x 500	-	-	499	537
800 x 600	-	527	569	581
800 x 800	-	-	-	669
850 x 300	-	-	-	430
850 x 400	-	-	-	492
850 x 500	-	-	-	511
850 x 600	-	-	-	600
850 x 800	-	-	-	691
1000 x 300	-	435	461	499
1000 x 400	-	500	534	553
1000 x 500	-	-	592	607
1000 x 600	-	616	636	658
1000 x 800	-	-	-	762
1100 x 300	-	-	-	527
1100 x 400	-	-	-	584
1100 x 500	-	-	-	644
1100 x 600	-	-	-	699
850 x 800	-	-	-	812
1200 x 300	-	513	545	557
1200 x 400	-	594	604	622
1200 x 500	-	-	656	683
1200 x 600	-	675	706	742
1200 x 800	-	-	-	866
1350 x 300	-	-	-	604
1350 x 400	-	-	-	677
1350 x 500	-	-	-	744
1350 x 600	-	-	-	811
1350 x 800	-	-	-	955

Difference in temperature 35 K, free standing enclosure, closed without ventilation openings and horizontal division

Dimensions (mm).

# Add-On Distribution Boards

## Mechanical

Application	Floor-standing enclosure for stand-alone or add-on installation for setting up a low-voltage distribution board; removable rear and side panels
Installation conditions	Indoor installation
Dimensions	
Height	1400, 1600, 1800, 2000
Width	425, 600, 800, 850, 1000, 1100, 1200, 1350
Depth	300, 400, 500, 600, 800
Degree of protection	IP40 or IP55, IK10
Environmental conditions	
Short-time maximum value	+40°C (104°F)
Maximum (24h mean value)	+35°C (95°F)
Minimum value	-5°C (23°F)
Humidity	50% at 40°C (104°F)
Material	Sheet steel
Paint	Phosphatised and polyester-powder-coated
Colour	RAL 7035
Door	Outside-supported doors with hidden hinges, as of an angle of 90° they can be unhinged; as of a width of 1000 mm use two doors, 120° opening angle (even in case of several cabinets mounted side by side)
Door lock	Clip-down handle with rod lock, can be fitted with a semi-cylinder lock 3-point
Cable entry	Different bottom and top covers permit cable insertion from below and/or above
Scope of delivery	<ul style="list-style-type: none"> <li>• XVTL-BF.: Frame, door, rear panel and top cover pre-assembled or in single parts</li> </ul>

# Add-On Distribution Boards

## xEnergy Light Add-On Distribution Boards, IP40 Degree of Protection

### XVTL-BF Basic Fragmentary Equipment:

- Scope of delivery: Frame, doors, rear panel, top cover, no side panels and no bottom cover
- Designation e.g.: **XVTL-BF-4/4/20**  
xBoard add-on distribution board light - basic fragmentary equipment, width **425**, depth **400**, height **2000**
- Material: Frame of 2 mm sheet steel, door of 1.25 mm sheet steel, rear panel of 1.5 mm sheet steel
- Phosphatised and polyester-powder-coated
- Colour: RAL 7035

#### Weight (kg):

Width	425			600			800			1000			1200			
	1600	1800	2000	1400	1600	1800	2000	1600	1800	2000	1600	1800	2000	1600	1800	2000
Depth 300	50	-	55	47	53	59	65	68	74	80	83	89	95	98	104	110
Depth 400	-	-	56	-	55	61	67	70	76	82	85	91	97	102	108	114
Depth 500	-	-	57	-	62	68	-	77	83	-	93	99	-	112	118	
Depth 600	-	-	59	-	58	64	70	74	80	86	88	94	100	111	117	123
Depth 800	-	-	62	-	-	73	-	-	89	-	-	105	-	-	127	

#### Add-on options:

Side panel, bottom cover

#### Installation options:

Profi+ vertical profiles, Profi+ mounting plates, Profi+ mounting inserts, IVS-support system, plinth, fastening brackets, cable strain relief rails, mounting set for ITMX16, IZM20, IZM32, IZM1 and 2, IZM58 size 5 and 6, door arrester, bottom cover

### XVTL-S Side Panels:

- Purpose: Side panels for IP40 degree of protection according to IEC/EN 60529 and IEC/EN 529, designed for the end of a series of cabinets
- Material: 1.5 mm sheet steel
- Phosphatised and polyester-powder-coated
- Colour: RAL 7035
- Weight (kg):

Depth	300	400	500	600	800
	7.4	8.3	10.7	13.1	17.5

- Fastening from outside with thread-grooving, self-earthing countersunk screws

### XVTL-R Rear Panels:

- Purpose: Rear panels for IP40 degree of protection according to IEC/EN 60529 and IEC/EN 529
- Material: 1.5 mm sheet steel
- Phosphatised and polyester-powder-coated
- Colour: RAL 7035
- Weight (kg):

Width	425	600	800	850	1000	1100	1200	1350
	13.5	16	19		22		27	

- Fastening from outside with thread-grooving, self-earthing countersunk screws

### XSPBM Top-Bottom Cover:

- Material: 1.25 mm sheet steel
- Phosphatised and polyester-powder-coated
- Inclusive screws
- Class of protection: IP30
- Weight (kg):

Width	425	600	800	850	1000	1100	1200	1350
Depth 300	1.1	1.7	2.7		3.4		4.2	
Depth 400	1.4	2.2	3.2		4.0		5.1	
Depth 500	1.6	2.4	3.3		4.2		5.2	
Depth 600	2.0	2.9	4.0		5.1		6.2	
Depth 800	2.7	4.0	5.5		7.7		8.4	

### XAD Top Cover:

- Material: 1.25 mm sheet steel
- Phosphatised and polyester-powder-coated
- Inclusive screws
- Class of protection: IP31
- Weight (kg):

Width	425	600	800	850	1000	1100	1200	1350
Depth 300	2.0	3.9	4.25		6.0		8.0	
Depth 400	3.0	4.75	6.0		8.0		10	
Depth 500	4.0	5.6	7.75		10		12	
Depth 600	5.0	6.5	9.5		12		14	
Depth 800	7.0	8.25	13		16		18	

Dimensions (mm).

# Add-On Distribution Boards

## xEnergy Light Add-On Distribution Boards, IP55 Degree of Protection

### XVTL-MP/BF Basic Fragmentary Equipment:

- Scope of delivery: Frame, doors, rear panel, top cover, no side panels and no bottom cover
- Designation e.g. **XVTL-MP/BF-4/4/20**  
xBoard add-on distribution board light - moist-proof basic fragmentary equipment, width **425**, depth **400**, height **2000**
- Material: Plugged frame of 2 mm sheet steel, door of 1.25 mm sheet steel, rear panel of 1.5 mm sheet steel
- Phosphatised and polyester-powder-coated
- Colour: RAL 7035
- Weight (kg):

Width	425			600			800			1000			1200			
Height	1600	1800	2000	1400	1600	1800	2000	1600	1800	2000	1600	1800	2000	1600	1800	2000
Depth 300	52	-	56	49	55	61	67	70	76	82	84	90	96	99	105	111
Depth 400	-	-	57	-	56	62	68	71	77	83	86	92	98	103	109	115
Depth 500	-	-	58	-	-	63	69,5	-	78	84	-	94	100	-	113	119
Depth 600	-	-	60	-	59	65	71	75	81	87	89	95	101	112	118	124
Depth 800	-	-	63	-	-	-	74	-	-	90	-	-	106	-	-	128

- Add-on options:  
Side panel, bottom cover
- Installation options:  
Profi+ vertical profiles, Profi+ mounting plates, Profi+ mounting inserts, IVS-support system, EP-support system, plinth, fastening brackets, cable strain relief rails, mounting set for IZMX16, IZM20, IZM32, IZM1 and 2, IZM58 size 5 and 6, door arrester, bottom cover

### XVTL-MP/BF-././...-IVS Basic Fragmentary Equipment:

- Scope of delivery: Frame, doors, rear panel, top cover (prepared for flanges F3A), Support System to accommodate the IVS installation units, Frame Covers and pre-mounted insulated support brackets
- Designation e.g. **XVTL-MP/BF6/4/20-IVS**  
xBoard add-on distribution board light - moist-proof basic fragmentary equipment, width **600**, depth **400**, height **2000**, installation distribution system
- Material: Frame of 2 mm sheet steel, door of 1.25 mm sheet steel, rear panel of 1.5 mm sheet steel
- Phosphatised and polyester-powder-coated
- Colour: RAL 7035
- Weight (kg):

Width	425		600		800		1200	
Height	1600	2000	1600	2000	1600	2000	1600	2000
Depth 300	70	74	74	88	97	111	134	147
Depth 400	82	87	87	102	109	125	147	162

- Installation options:  
IVS installation units, Plinth Panels, bottom cover

### XVTL-MP/BF-././...-EP Basic Fragmentary Equipment:

- Scope of delivery: Frame, doors, rear panel, top cover (prepared for flanges F3A), Support System to accommodate the EP installation units, Frame Covers
- Designation e.g.: **XVTL-MP/BF/6/4/20-EP**  
xBoard add-on distribution board light - moist-proof basic fragmentary equipment, width **600**, depth **400**, height **2000**, EP installation system
- Material: Frame of 2 mm sheet steel, door of 1.25 mm sheet steel, rear panel of 1.5 mm sheet steel
- Phosphatised and polyester-powder-coated
- Colour: RAL 7035
- Weight (kg):

Width	425	600	850	1100	1350
Height	2000	2000	2000	2000	2000
Depth 300	61	71	90	109	133
Depth 400	66	77	95	115	138
Depth 500	71	83	100	121	143
Depth 600	76	89	106	127	148
Depth 800	87	99	118	144	170

- Installation options:  
EP installation units, Cable Strain Relief Rails, Door Arrester Set, bottom cover

### XVTL-MP/BF/IC Basic Fragmentary Equipment:

- Scope of delivery: Frame, doors (flat version), rear panel, top cover (closed), bottom cover, mounting plate 3 mm, eye bolts for transportation by crane, 5 mm two-way key bit
- Designation e.g. **XVTL-MP/BF/IC-6/4/20**  
xBoard add-on distribution board light - moist-proof basic fragmentary equipment, installation console, width **600**, depth **400**, height **2000**
- Material: Plugged frame of 2 mm sheet steel
- Mounting plate of 3 mm sheet steel
- Phosphatised and polyester-powder-coated
- Colour: RAL 7035
- Weight (kg):

Width	425			600			800			1000			1200			
Height	1600	1800	2000	1400	1600	1800	2000	1600	1800	2000	1600	1800	2000	1600	1800	2000
Depth 300	70	-	80	67	73	79	85	93	99	105	115	121	127	115	141	147
Depth 400	-	-	81	-	74	80	86	94	100	106	119	125	131	119	145	151
Depth 500	-	-	82	-	-	81	87	-	101	107	-	129	135	-	149	155
Depth 600	-	-	84	-	78	83	89	98	104	110	124	130	136	124	154	160
Depth 800	-	-	88	-	-	-	93	-	-	113	-	-	140	-	-	164

- Installation options:  
Profi+ vertical profiles, plinth, fastening brackets, cable strain relief rails, door arrester, bottom cover

### XVTL-D Doors:

- Material: 1.25 mm sheet steel
- Phosphatised and polyester-powder-coated
- Supplied with screws
- Colour: RAL 7035
- Degree of protection: IP55
- Weight (kg):

Width	425	600	800	850	1000	1100	1200	1350
(Height 2000)	13	19	25		17		20	

- Installation of doors:  
Use a single-wing door up to a width of 800 mm. As of a width of 1,000 mm, use a double-wing door. The right and left wing must be ordered separately.

### XSDMC Doors:

- Material: 2 mm sheet steel
- Phosphatised and polyester-powder-coated
- Supplied with fastening material
- Colour: RAL 7035
- Degree of protection: IP55
- Weight (kg):

Width	425	600	800	850	1000	1100	1200	1350
(Height 2000)	18	26	34		43		52	

- Installation of doors:  
Use a single-wing door up to a width of 1,000 mm (1000 mm kann ein- oder zweiflügelig gewählt werden). As of a width of 1,000 mm, use a double-wing door. The right and left door (both) must be ordered with one article number.

### XVTL-MP/S and XAW Side Panels:

- Purpose: Side panels for IP55 degree of protection according to IEC/EN 60529 and IEC/EN 529, designed for the end of a series of cabinets
  - Material: 1.5 mm sheet steel
  - Phosphatised and polyester-powder-coated
  - Colour: RAL 7035
  - Weight (kg):
- | Depth | 300 | 400 | 500  | 600  | 800  |
|-------|-----|-----|------|------|------|
|       | 7.5 | 8.4 | 10.8 | 13.2 | 17.6 |
- Fastening from outside with thread-grooving, self-earthing countersunk screws

# Add-On Distribution Boards

## XVTL-MP/R and XSWC Rear Panels:

- Purpose: Rear panels for IP55 degree of protection according to IEC/EN 60529 and IEC/EN 529
- Material: 1.5 mm sheet steel
- Phosphatised and polyester-powder-coated
- Colour: RAL 7035
- Weight (kg):

Width	425	600	800	850	1000	1100	1200	1350
	9	16	24		32		40	

- Fastening from outside with thread-grooving, self-earthing countersunk screws

## XVTL-MP/T and CSPTC Top Cover:

- Material: 1.25 mm sheet steel
- Phosphatised and polyester-powder-coated
- Supplied with screws
- Colour: RAL 7035
- Degree of protection: IP55

- Weight (kg):

Width	425	600	800	850	1000	1100	1200	1350
Depth 300	1.5	2.0	2.9		3.7		4.7	
Depth 400	1.5	2.3	3.2		4.0		5.0	
Depth 500	1.9	2.3	4.1		5.1		6.1	
Depth 600	2.3	3.6	5.0		6.3		7.8	
Depth 800	3.2	5.0	6.8		8.6		10.7	

## XVTL-MP/T/EF Top Cover:

- Top cover with cut-outs prepared for the F3A cable insertion flange
- Material: 1.25 mm sheet steel
- Phosphatised and polyester-powder-coated
- Supplied with screws
- Colour: RAL 7035
- Degree of protection: IP55 (with F3A cable insertion flange)

- Weight (kg):

Width	425	600	800	850	1000	1100	1200	1350
Depth 300	1.4	1.8	2.6		3.3		4.2	
Depth 400	1.4	2.1	2.9		3.6		4.5	
Depth 500	1.8	2.8	3.8		4.7		5.6	
Depth 600	2.2	3.4	4.7		5.9		7.3	
Depth 800	3.1	5.8	6.5		8.1		10.2	

## Mechanical Loads

- If you use a xBoard Profi+ mounting frame (with XVTL-BP), the weight on the insert must not exceed 150 kg. The weight on mounting plates covering the entire height must not exceed 200 kg.
- Transformers and circuit breakers of higher weight (more than 40 kg per device) must be mounted by means of depth-profiles and suitable supports or mounting plates in order to ensure a balanced distribution of the weight over the four corner posts.
- The total weight of all load components installed must not exceed 400 kg.

## Add-on mounting of several xEnergy Lights

- Mounting several xEnergy Lights side-by-side requires M8x20 mm screws. For this purpose, we also offer the XAC connection set for IP40 and the XAC55 for IP55. Additionally the section connection clip XACC, as well as the section connection bracket XACB can be used.
- If two or more xEnergy Lights are mounted side by side, the individual main earthing points must be electrically connected with each other.
- If xEnergy Light distribution cabinets rotated by 90° need to be mounted side by side, an XVTL-CF corner frame is available (bottom covers are not included, these must be ordered separately).
- An IP55 top cover for the corner frame is generally included.

WA\_VT09302

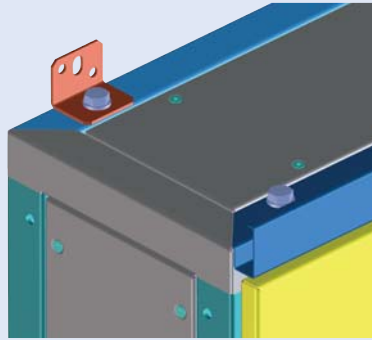


Dimensions (mm).

# Add-On Distribution Boards

## XVTL-WFB Wall Angle Bracket

- For mounting of one or more Enclosures on the wall.  
The installer has to ensure the carrying capacity of the wall.





# Add-On Distribution Boards

## xEnergy Light Add-On Distribution Boards - Accessories

### XVTL-SO100, XVTL-SO200, XVTL-SO../CF Plinth Panels

- Material: 2 mm sheet steel
- Phosphatised and polyester-powder-coated
- Colour: RAL 7035
- Weight (kg):
 

Height 100 mm		300	400/425	500	600	800	850	1000	1100	1200	1350
2 units XVTL-SO100/S		5.0	5.4	6.2	7.4	9.6	-	-			
1 units XVTL-SO100/F		-	2.2	-	3.4	4.6		5.8		7.2	

Height 200 mm		300	400/425	500	600	800	850	1000	1100	1200	1350
2 units XVTL-SO200/S		7.0	7.6	9.2	10.8	14	-	-			
1 units XVTL-SO200/F		-	3.2	-	4.4	5.6		6.8		8.2	
- Fastening: screw-mounted
- XVTL-SO../CF is a plinth for XVTL-CF corner frames. Two sides of the plinth are open and two sides are closed by panels.

### XVTL-IC Mounting Plates

- Purpose: For the installation of different components
- Material: XVTL-IC 2 mm sheet steel, galvanised  
XVTL-IC/S 3 mm sheet steel, galvanised
- Fastening: With XVTL-IC/BRA/SET of fastening brackets
- Weight (kg) XVTL-IC:
 

For width	425	600	800	1000	1200
Height 1400	-	8,9	-	-	-
Height 1600	4.5	10,5	14.5	18.5	23.4
Height 1800	-	12.1	16.7	21.3	27.0
Height 2000	8,5	13.7	18.9	24.1	30.6
- Weight (kg) XVTL-IC/S:
 

For width	425	600	800	1000	1200
Height 1400	-	20.5	-	-	-
Height 1600	16.5	23.5	32.5	37.5	46.7
Height 1800	-	26.5	35.5	42.5	52.9
Height 2000	20.5	29.5	38.5	47.5	59.1

### XVTL-FITUP, XVTL-FITUP/BRA Mounting Aid

- Is used to make the installation of XVTL-IC full-height and pre-equipped mounting plates in the xEnergy Light easier. With fixing on XVTL-BRA.
- Insertion without screws, removable (aid for panel builders only)
- Material: 2mm sheet steel, galvanised

#### XVTL-FITUP

wa\_vt36713



Several lengths for several depths of the xEnergy Light

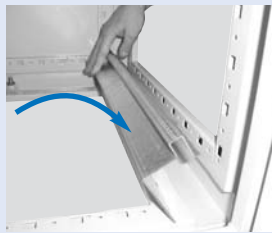
#### XVTL-FITUP/BRA

wa\_vt01107

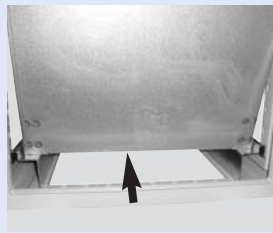


One type for all depths of the xEnergy Light

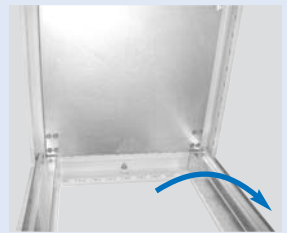
① Insert



②



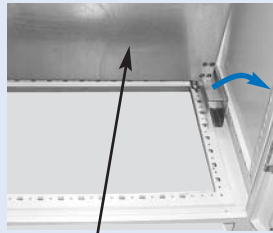
③ Remove



① Insert



② Remove



③



XVTL-BRA

XVTL-FITUP/BRA

XVTL-IC

XVTL-BRA

### BPZ-MPLSASY Mounting Plates

- Material: 2 mm sheet steel, galvanised
- Designed for fixing the SASY 60i
- Can be fixed on XVTL-VP vertical profiles or on XVTL-BRA/IC250 brackets

VT01208

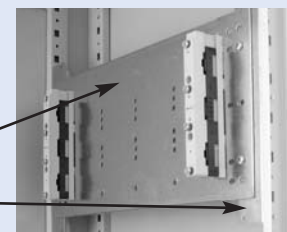


XVTL-VP



BPZ-MPLSASY

XVTL-BRA/IC250



Dimensions (mm).

# Add-On Distribution Boards

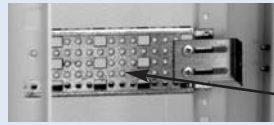
## XVTL-BRA/L Brackets

- Material: 2 mm sheet steel, galvanised
- For universal use, adjustable

wa\_vt00607

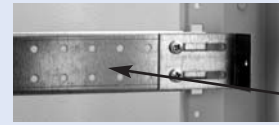


a)



XVTL-HP

b)



XVTL-HP/L

c)

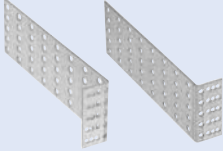


XVTL-...

## XVTL-BRA/DIN Brackets (for DIN-rails)

- Material: 2 mm sheet steel, galvanised
- Universal use, mainly for DIN-rail fixing
- Can be fixed on XVTL-VP vertical profiles

wa\_vt30513, wa\_vt30213

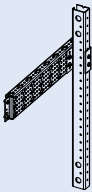


TSA, TSC

XVTL-BRA/DIN

## XVTL-BRA Angle Bracket for Vertical Profil XVTL-VP

- Purpose: For mounting of the Vertical Profile onto the Horizontal Profile XVTL-HP-..



## XVTL-HP Horizontal Profiles

- Purpose: These profiles can be screw-mounted in depth and are used for mounting different components, mainly in combination with XVTL-VP vertical profiles
- Material: 2 mm sheet steel, galvanised
- Fastening: Screw-mounting, screws are included in the delivery
- Lengths: 300, 400, 500, 600, 800 mm

## XVTL-HP-.-MIB Horizontal Profiles, XVTL-IZM Mounting Plates

### XVTL-HP-.-MIB

VT01308



### XVTL-IZM

VT01408



- Purpose: For mounting the IZMX16, IZMX40, IZM26, IZM13 or IZM58 (fixed or pull-out design) or other components whose weight, when distributed over at least 2/3 of the supporting surface, must not exceed 150 kg.
- Material: 2 mm sheet steel, galvanised
- Fastening: With 4 screws on the XVTL-HP-.-MIB horizontal profile
- Supporting surface

Width	XVTL-IZM (Width x Depth)
600	510 x 336.5 mm
800	710 x 336.5 mm
1000	910 x 336.5 mm
1200	1110 x 336.5 mm

## XVTL-VP Vertical Profiles

- Purpose: Can be screw-mounted vertically in different heights for mounting different components (e.g. mounting plates), mainly used in combination with XVTL-HP horizontal profiles
- Material: 2.5 mm sheet steel, galvanised
- Fastening: Screw-mounting, screws are included in the delivery
- Lengths: 600, 1000, 1400, 1600, 1800, 2000 mm

# Add-On Distribution Boards

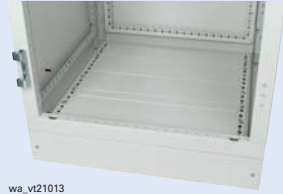
## XSPBA, XVTL-BP Bottom Covers

- Purpose: To close the xEnergy Light add-on distribution board at the bottom and/or allow cable insertion
- Material: 1.5 mm sheet steel, cellular rubber
- Colour: RAL 7035
- Fastening: Screw-mounting, screws are included in the delivery
- Examples of application  
In order to cover the entire depth with cover sheets, you will need the following quantities:

• Weight (kg):

For width	425	600	800	850	1000	1100	1200	1350
XSPBAC..01	0.4	0.5	0.6		0.7		0.8	
XSPBAC..02	0.6	0.7	0.8		0.9		1.0	
XSPBA	0.5	0.6	0.7		0.8		0.9	
XVTL-BP/JL	0.4	0.7	0.9		1.2		1.6	

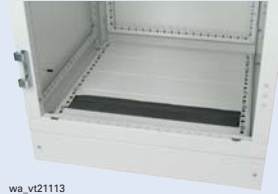
### a) Blind Covering



wa\_vt21013

	XSPBAC..01	XSPBAC..02
Depth 300	2	1
Depth 400	–	3
Depth 500	2	3
Depth 600	–	5
Depth 800	1	6

### b) Cable <math>\varnothing</math> 50 mm



wa\_vt21113

	XSPBA	XSPBAC...01	XSPBAC..02
Depth 300	2	1	–
Depth 400	2	–	1
Depth 500	2	–	2
Depth 600	2	–	3
Depth 800	2	–	5

### c) Cable $\varnothing$ 50-80 mm

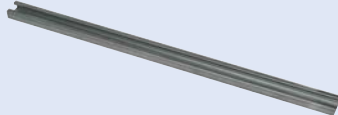


wa\_vt21213

	XVTL-BP/JL	XSPBA	XSPBAC..01	XSPBAC..02
Depth 300	1	1	–	–
Depth 400	1	1	–	1
Depth 500	1	1	–	2
Depth 600	1	1	–	3
Depth 800	1	1	2	4

## XAR C-Profile Cable Strain Relief Rails

wa\_vt29113



- Used for cable strain relief and secure fastening of cables with clips
- Material: Anchoring rail of galvanised steel
- Rails can be fixed on the XVTL-VP vertical profile or XVTL-BRA bracket

Note: Direct fixing of the cable strain relief rail on the frame is not recommended because of unwanted bending of cables that might occur.

- Fixing of the rail on an XVTL-VP vertical profile



wa\_vt02007

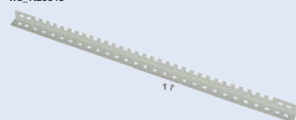
- Fixing of the rail on an XVTL-BRA bracket



wa\_vt02107

## XVTL-AB L-Profile Cable Strain Relief Rails

wa\_vt29513



- Used for cable strain relief and secure fastening of cables with tie wraps
- Material: Anchoring rail of sheet steel, powder-coated
- Rail can be fixed on an XVTL-VP vertical profile or XVTL-BRA bracket

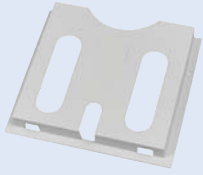
Note: Direct fixing of the cable strain relief rail on the frame is not recommended because of unwanted bending of cables that might occur.

Dimensions (mm).

# Add-On Distribution Boards

## XAB4, XVT-SPT6 A4 Pocket for Wiring Diagrams

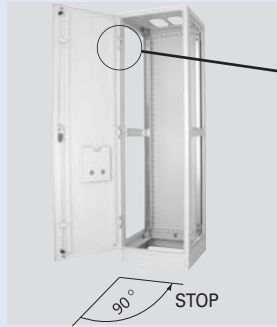
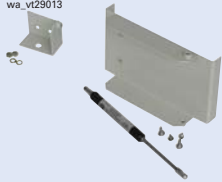
wa\_vt08413



- Used for keeping wiring diagrams and the like in the distribution cabinet
- Size: Suitable for DIN-A4
- Material: PVC (XAB4) or sheet steel (XVT-SPT6)
- To be fixed by means of self-adhesive tape or screws

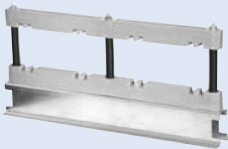
## XVTL-DA Door Arrester Set

wa\_vt29013



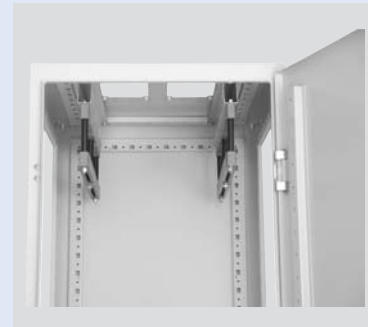
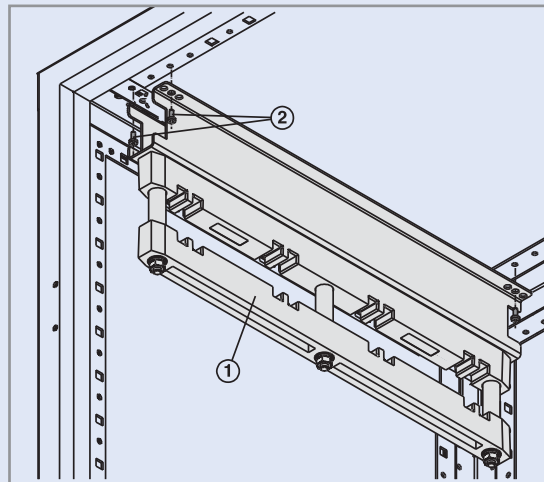
## XBST... Busbar Supports for the Position at the Top

wa\_vt03507



XBST12:  $I_n = 1250$  A  
 XBST16:  $I_n = 1600$  A  
 XBST20:  $I_n = 2000$  A  
 XBST25:  $I_n = 2500$  A

$I_{cw(1s)} = 65$  kA



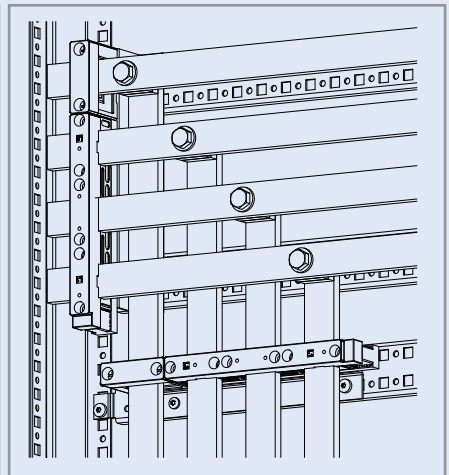
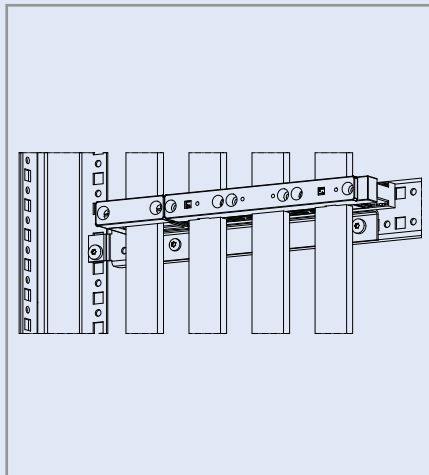
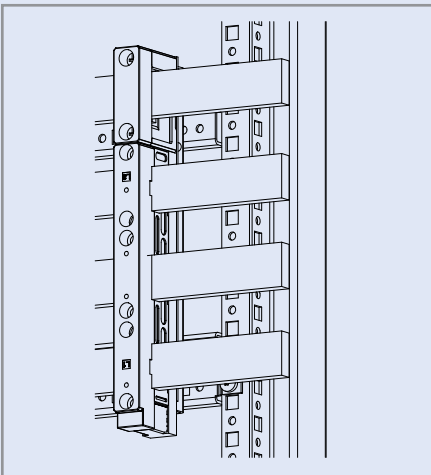
1		1x
2		4x

## Mounting Angle for SASY60i Rail Support

vertical

horizontal

Crossing the rails



# Add-On Distribution Boards

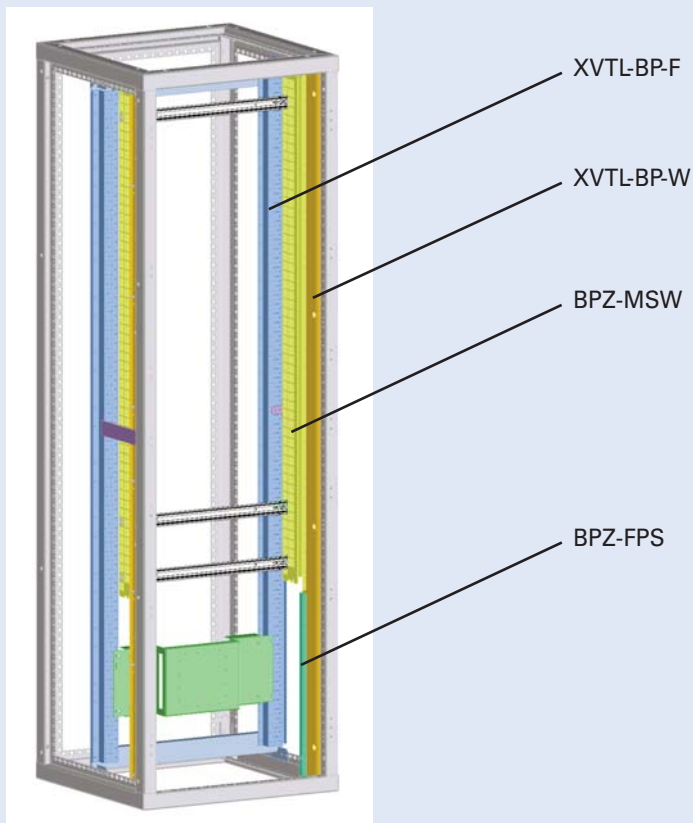
## Profi+ XVTL-BP-F Mounting frame

## Profi+ XVTL-BP-W Built-in Frame for Installation Outgoers

## BPZ-FPS Front Plate Support

## BPZ-MSW Mounting Side-Panel

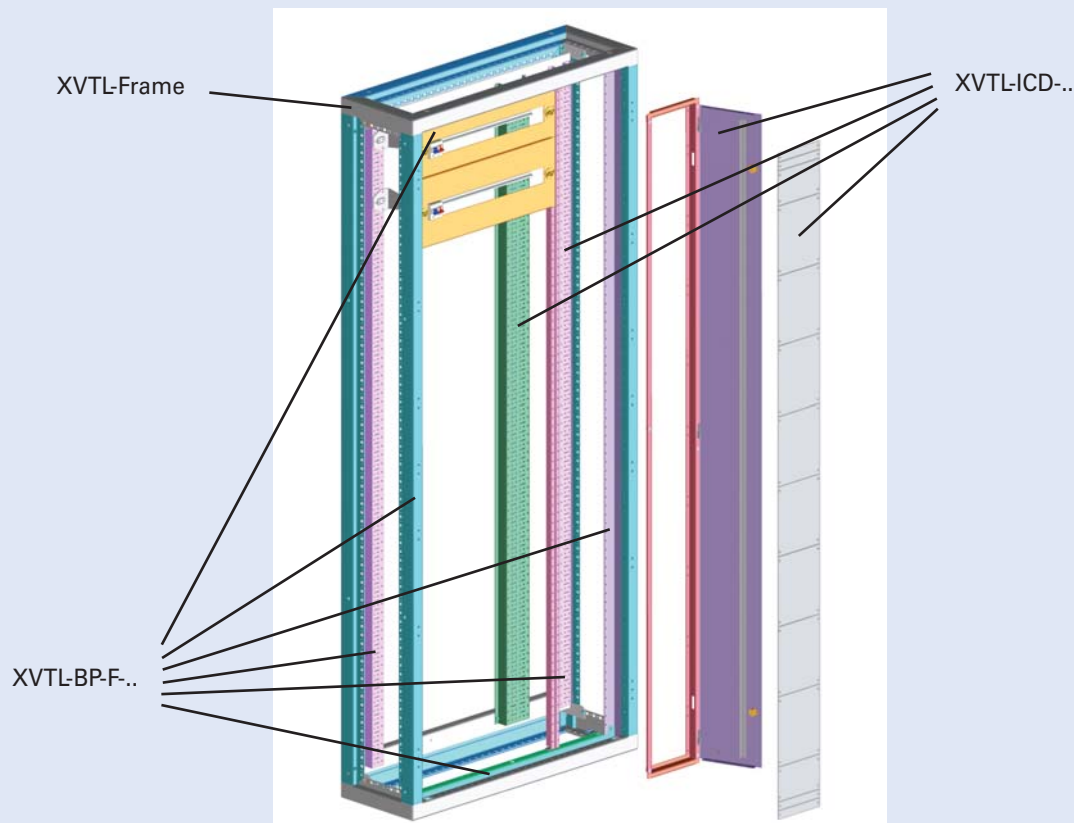
- These products will enable you to install the Profi+ system
- These adapters reduce the width from 425 mm to 400 mm
- XVTL-BP-F mounting frame for fixing DIN-rails and mounting plates
- XVTL-BP-W built-in frame for installation outgoers, for fixing the BPZ-FPS front plate support and the BPZ-MSW mounting side-panel
- The BPZ-MSW mounting side-panel is a swing-out type of panel
- Mounting of front plates on the BPZ-FPS front plate support (fixed) or on the BPZ-MSW mounting side-panel (swing-out type)



# Add-On Distribution Boards

## XVTL-ICD-.. Divided setup with an internal cable area on the side (width 850 mm)

- Combination of xEnergy Light and Profi+ fixed equipment
- For 850mm cabinet width only
- Division: Switchgear area = 600mm, cable connection area = 200mm
- For all cabinet depths
- Separate inside door to the cable connection area - as high as the section
- Mounting frame XVTL-BPF for fixing DIN rails and mounting plates  
Set includes: Contact surface for front plate on the left and right side, cover frame for top and bottom, mounting frame incl. screws
- Expansion set for divided setup XVTL-ICD-.. (width = 200mm)  
Set includes: Separating strip (cable area/switchgear area), two mounting strips (cable area/switchgear area), door to cable area incl. frame, plexiglass cover (inside), incl. screws



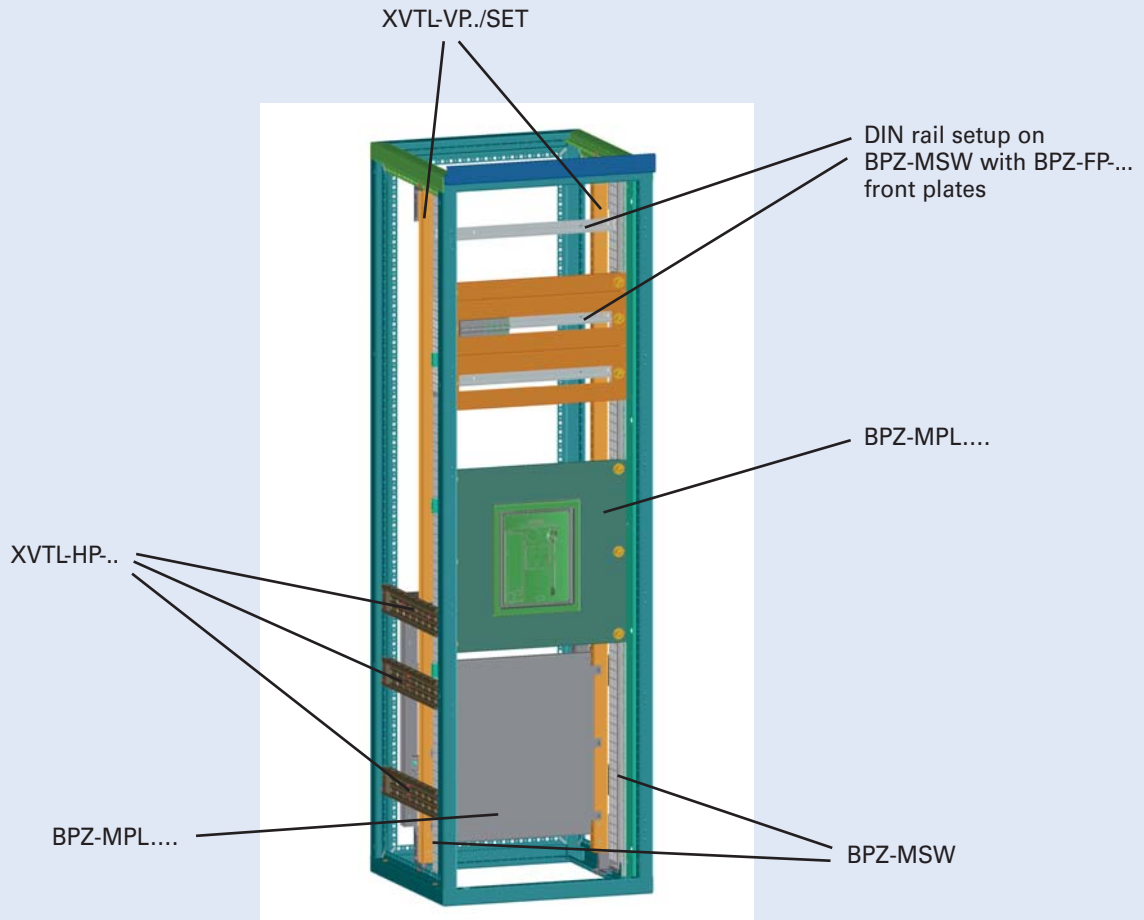
# Add-On Distribution Boards

## Mixed setup in xEnergy Light

It is possible to combine different kinds of equipment, e.g.: ACB with contact surface for front plates (BPZ-FPS) or ACB with mounting side-panel (BPZ-MSW) for combinations with DIN rail devices.

Additional fixed mounting level for DIN rails, mounting plates or other equipment can be mounted by means of XVTL-VP.. (2 depths possible = 232mm or 257mm).

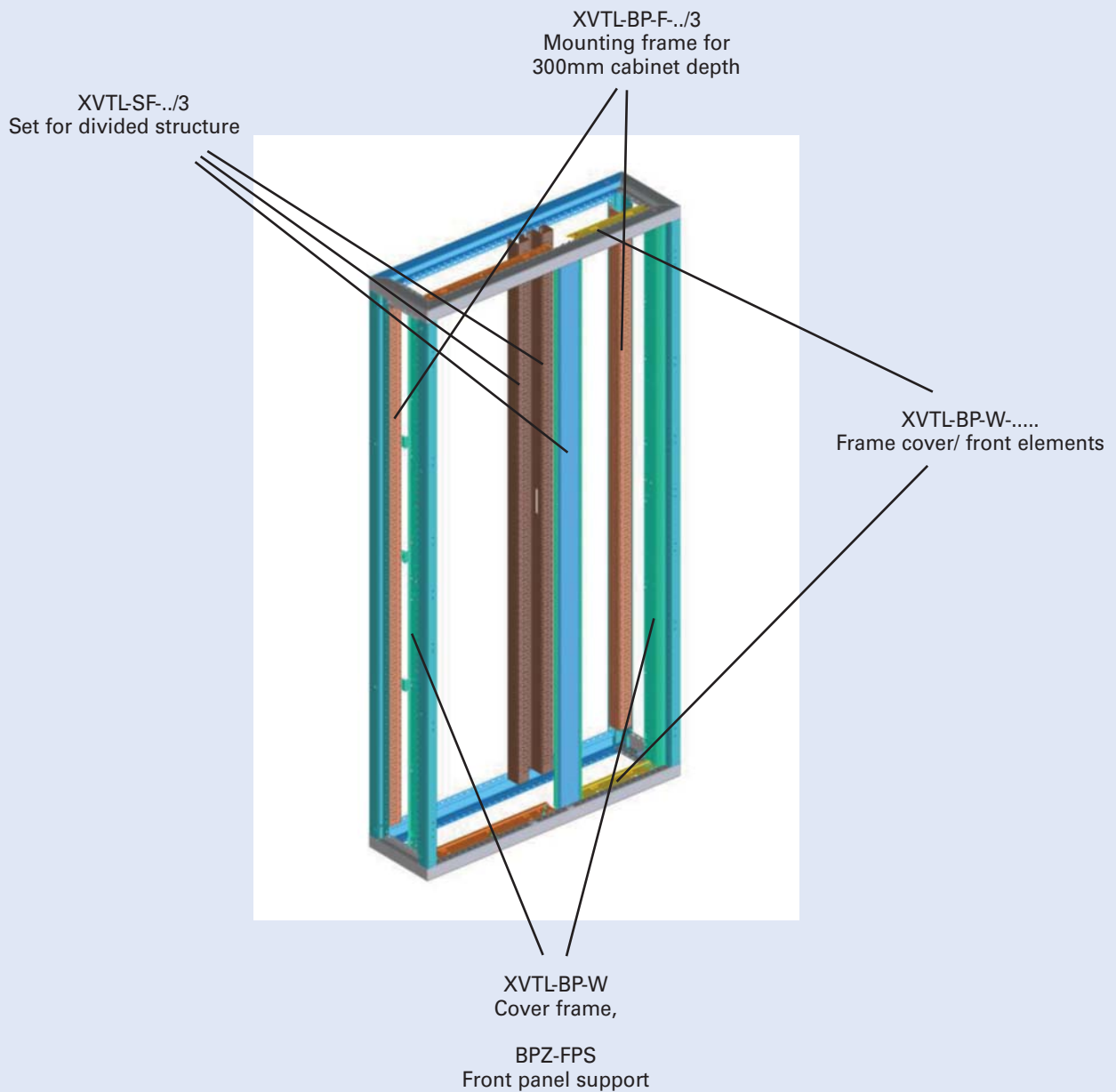
- Support plates for XMPIX.... air circuit breakers, cut-outs for MSW are prepared (for 1xIZMX16, 2xIZMX16, 1xIZMX40 in 3+4pole, fixed or withdrawable), support plate 3mm, incl. screws
- Front plates (XMPIX.....) with cut-outs of the IZMX16/40 series in fixed or withdrawable design
- Vertical profiles (XVTL-VP./SET), fixed mounting frame (consisting of 2 profiles incl. 4 fixing brackets and screws)
- Mounting side-panel BPZ-MSW, pivoting mounting kit, compatible with the entire Profi+ product range



# Add-On Distribution Boards

## Set for divided structure, XVTL-SF-../3

- For use in cabinets of 300mm depth only
- In case of a sub-division into 3 section widths, please use 2 sets (e.g.: 1200mm cabinet sub-divided into 3x400mm)
- 1 set includes:
  - 2 pcs. of mounting spars at the center
  - Center stand - coated in RAL7035
  - Incl. screws
- For dividing the inside structure, so as to be able to create 2 (3) divided Profi+ fixed equipment elements.
  - For example:
    - 800 cabinet width = 400/400
    - 1000mm cabinet width = 600/400, 400/600
    - 1200mm cabinet width = 600/600, 800/400, 400/800, 400/400/400
- As a basis you will need a mounting frame for 300 mm section depth (XVTL-BP-F-../3). Then you will be able to create a Profi+ fixed setup with fixing towers.
- You will also need a fitting frame for installation outgoers Profi+ XVTL-BP-W (cover frame)
- In addition, you will need front panel supports (BPZ-FPS)
- Each sub-division requires cover frames (XVTL-BP-W-.....). For cabinet heights of 1600mm and 1800mm (XVTL-BP-W-../16/18-TB) you will need cover frames/front elements different from the ones for 2000 mm cabinet height (XVTL-BP-W-../20-TB).

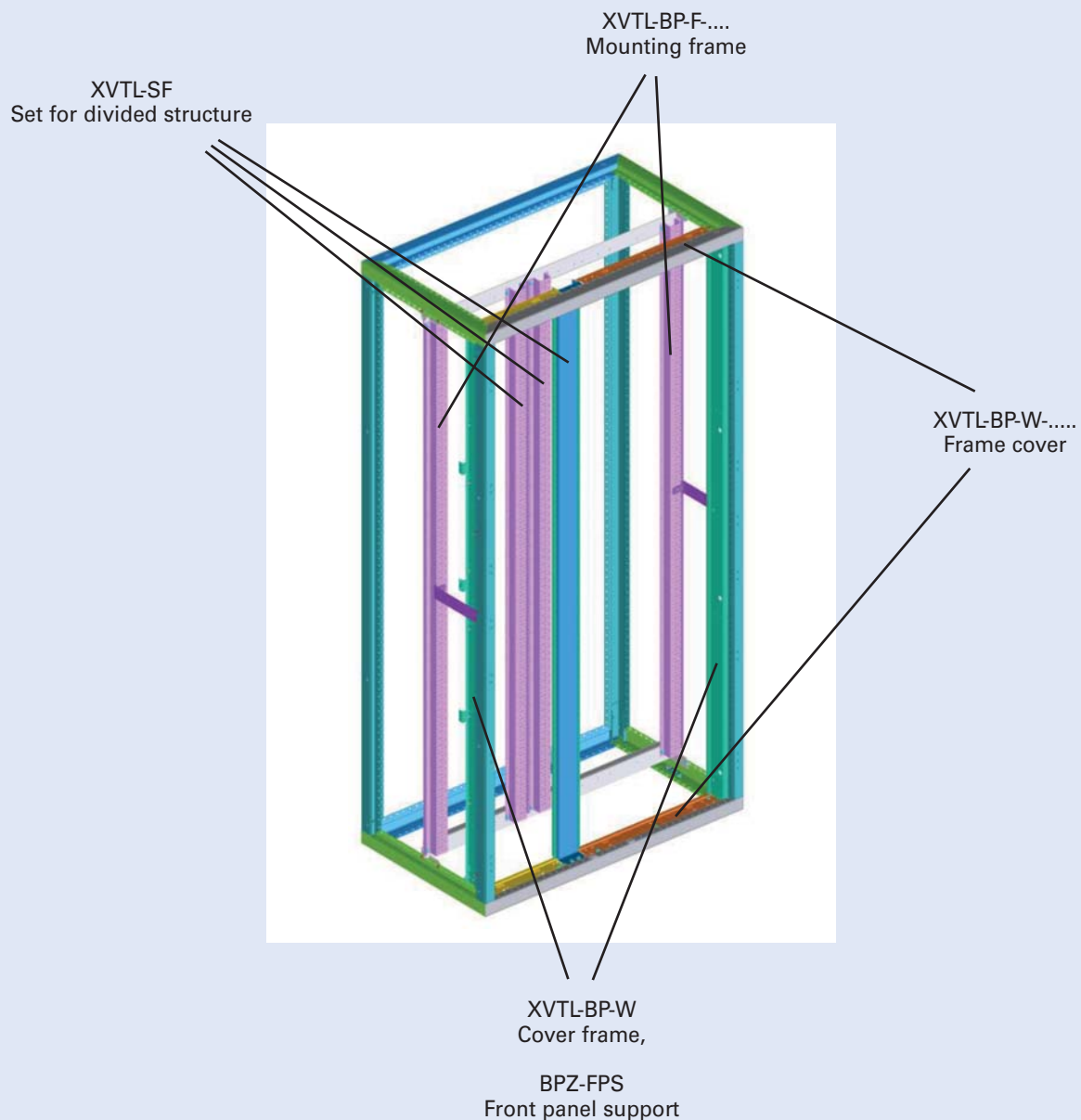




# Add-On Distribution Boards

## Set for divided structure, XVTL-SF

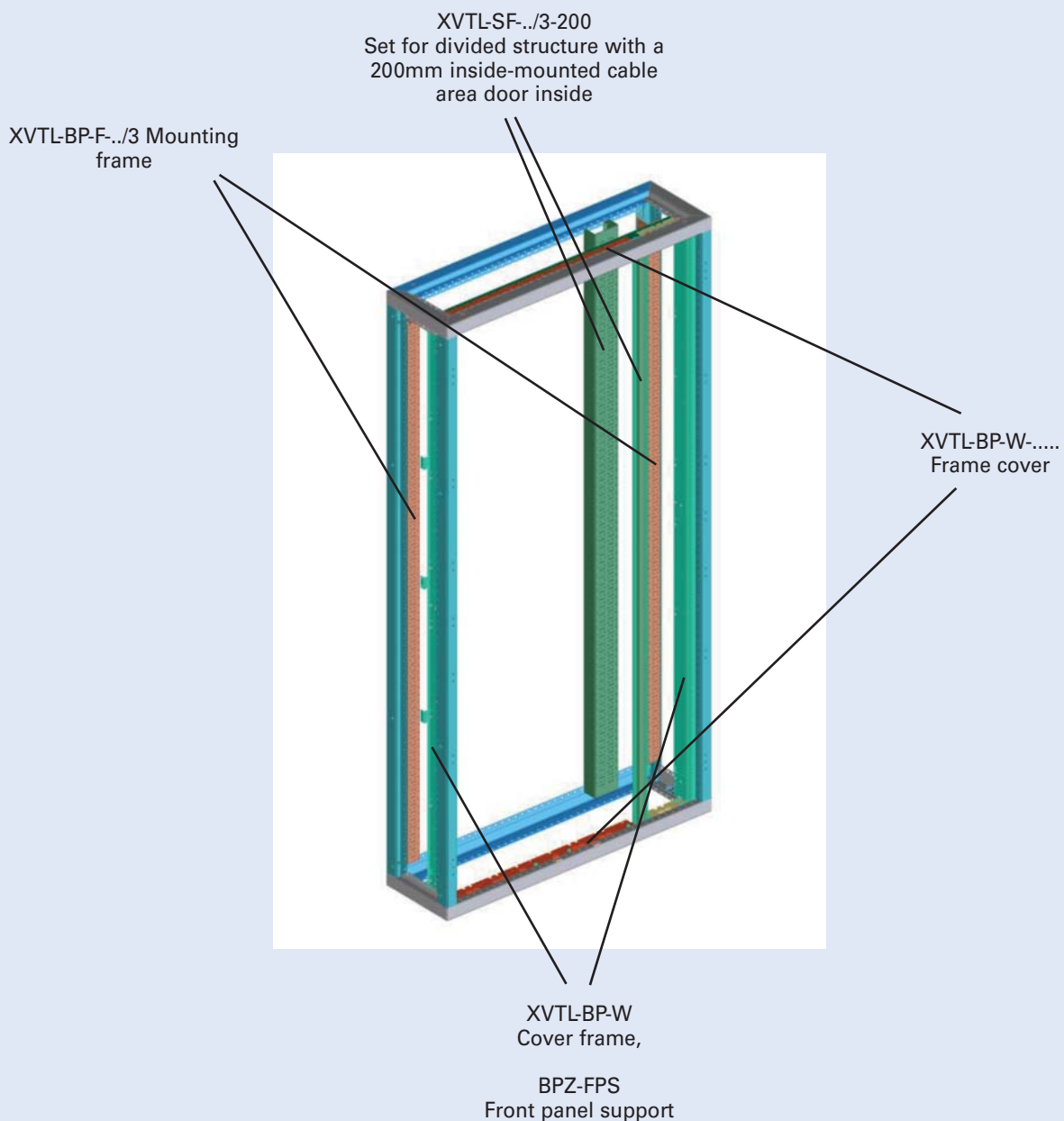
- For a cabinet depth of 400mm to 800mm
- In case of a sub-division into 3 section widths, please use 2 sets (e.g.: 1200mm cabinet sub-divided into 3x400mm)
- 1 set includes:
  - 2 pcs. of mounting spars at the center
  - Center stand - coated in RAL7035
  - Incl. screws
- For dividing the inside structure, so as to be able to create 2 (3) divided Profi+ fixed equipment elements.
  - For example:
    - 800 cabinet width = 400/400
    - 1000mm cabinet width = 600/400, 400/600
    - 1200mm cabinet width = 600/600, 800/400, 400/800, 400/400/400
- As a basis you will need a mounting frame (XVTL-BP-F-....). Then you will be able to create a Profi+ fixed setup with fixing towers.
- You will also need a fitting frame for installation outgoers Profi+ XVTL-BP-W (cover frame)
- In addition, you will need front panel supports (BPZ-FPS)
- Each sub-division requires frame covers (XVTL-BP-W-.....). For cabinet heights of 1600mm and 1800mm (XVTL-BP-W-./16/18-TB) you will need frame covers/front elements different from the ones for 2000 mm cabinet height (XVTL-BP-W-./20-TB).



# Add-On Distribution Boards

## Set for divided structure with a 200mm cable area for a cabinet depth of 300mm only, XVTL-SF-../3-200

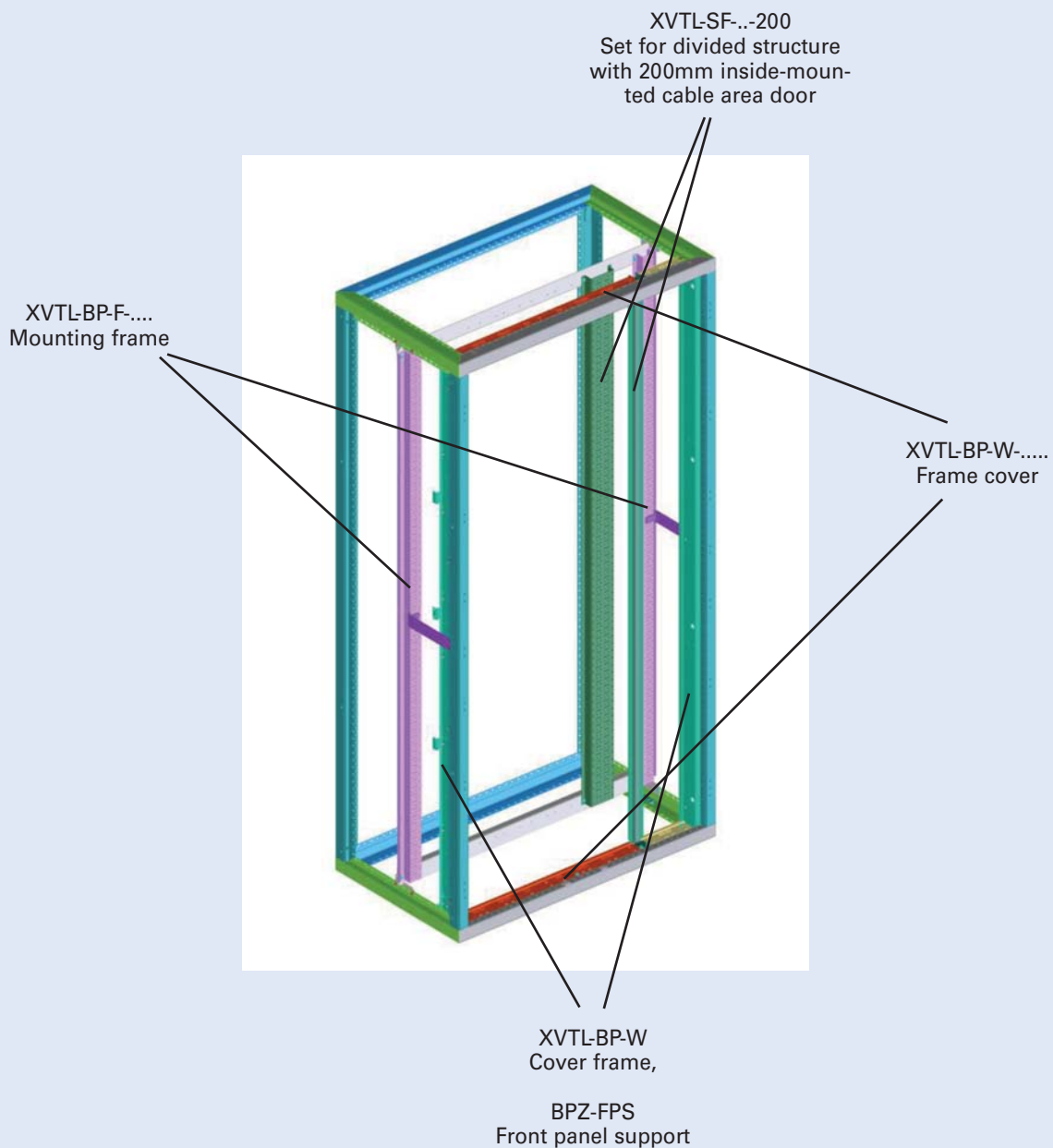
- For a cabinet depth of 300mm only
- For an inside-mounted cable area door (BPZ-CD-200/..)
- For dividing the inside structure so as to be able to create divided Profi+ fixed equipment elements in combination with a 200 mm wide cable area.  
For example:  
800 cabinet width = 600/200  
1000mm cabinet width = 800/200, (400/400/200)  
1200mm cabinet width = 1000/200, (600/400/200)
- 1 set includes:  
1 center stand  
1 double mounting spar (center part of the mounting frame)  
Incl. screws
- As a basis you will need a mounting frame for 300 mm section depth (XVTL-BP-F-../3). Then you will be able to create a Profi+ fixed setup with fixing towers.
- You will also need a fitting frame for installation outgoers Profi+ XVTL-BP-W (cover frame)
- In addition, you will need front panel supports (BPZ-FPS)
- Each sub-division requires frame covers (XVTL-BP-W-.....). For cabinet heights of 1600mm and 1800mm (XVTL-BP-W-../16/18-TB) you will need frame covers/front elements different from the ones for 2000 mm cabinet height (XVTL-BP-W-../20-TB).



# Add-On Distribution Boards

## Set for divided structure with a 200mm inside cable area for a cabinet depth of 400mm-800mm, XVTL-SF-xx-200

- For cabinet depths of 400mm to 800mm
- For inside-mounted cable area door (BPZ-CD-200/..)
- For dividing the internal structure, so as to be able to create divided Profi+fixed equipment elements in combination with a 200 mm wide cable area.  
For example:  
800 cabinet width = 600/200  
1000mm cabinet width = 800/200, (400/400/200)  
1200mm cabinet width = 1000/200, (600/400/200)
- 1 set includes:  
1 pc. of center stand  
1 pc. of double mounting spar (center part of the mounting frame)  
Incl. screws
- As a basis you will need a mounting frame (XVTL-BP-F-...). Then you will be able to create a Profi+ fixed setup with fixing towers.
- You will also need a fitting frame for installation outgoers Profi+ XVTL-BP-W (cover frame)
- In addition, you will need front panel supports (BPZ-FPS)
- Each sub-division requires frame covers (XVTL-BP-W-.....). For cabinet heights of 1600mm and 1800mm (XVTL-BP-W-./16/18-TB) you will need frame covers/front elements different from the ones for 2000 mm cabinet height (XVTL-BP-W-./20-TB).



# Add-On Distribution Boards

## Connection System KSX without drilling up to 2500 A

### Busbar Support

VT30009



#### KSX-34P-EXT

- for outer
- for flat busbar 30x10 mm, Double-T and Tripple-T-Profile
- 3- and 4-pole busbar system
- Weight (kg): 4.58
- Dimensions (mm): W 300 mm, H 300 mm, D 30 mm
- halogen free
- Temperature stability up to 130°C

#### KSX-34P-MID

- for central
- for flat busbar 30x10 mm, Double-T and Tripple-T-Profile
- 3- and 4-pole busbar system
- Weight (kg): 4.58
- Dimensions (mm): W 300 mm, H 300 mm, D 30 mm
- halogen free
- Temperature stability up to 130°C

#### KSX-3P-MID

- for central
- for Tripple-T-Profile
- 3-pole busbar system
- Weight (kg): 4.58
- Dimensions (mm): W 300 mm, H 300 mm, D 30 mm
- halogen free
- Temperature stability up to 130°C

### Busbars CU-BAR according to DIN EN 13601

Tin-plated Cu-bars significantly reduce the work necessary for preparing the contact points. Cu-busbars are effectively protected against aggressive environments.

Dimension	Cross-section
Double-T	500 mm <sup>2</sup>
Double-T	720 mm <sup>2</sup>
Triple-T	1140 mm <sup>2</sup>

Permissible tolerances:

Radius R 0.3 ... 0.7

Width: + 0.1 / - 0.5

Thickness: + 0.1 / - 0.1

### Profile Terminals AKP




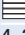



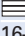


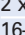


Current carrying capacity of contact	Profile	Terminal space W x H (mm)	Tightening torque (Nm)	Type
1600 A	TT	41 x 20-42	40	AKP800
1600 A	TT	51 x 5-28	40	AKP750
1600 A	TT	51 x 20-42	40	AKP1000
1600 A	TT	64 x 5-28	40	AKP900
2000 A	TT	64 x 20-42	40	AKP1200
2500 A	TT	81 x 20-42	40	AKP1600
3000 A	TT	101 x 20-42	40	AKP2000
3200 A	TT	101 x 23-45	40	AKP3600

Use spacers provided when two multi-layer Cu-band types of copper busbars are connected in parallel.

# Add-On Distribution Boards

## Universal conductor terminal AKU

Used for connecting conductors featuring cross-sections of 1.5–120 mm<sup>2</sup> on busbars 5 or 10 mm thick. Integrated retaining springs, an open terminal space and captive terminal screws make the installation job easy.










Suitable conductors <sup>1)</sup>	Current carrying capacity of contact point*	Tightening torque Nm	Terminal space WxH mm	Busbars WxH mm	Type
1.5–16 mm <sup>2</sup> Cu,  ,  ,  **, 	180 A	4	7.5 x 7.5	... x 10	AKU16/10
4–35 mm <sup>2</sup> Cu,  ,  ,  **, 	270 A	6	10.5 x 11	... x 10	AKU35/10
16–70 mm <sup>2</sup> Cu,  ,  **, 	400 A	10	14 x 14	... x 10, TT	AKU70/10
2 x  3 / 6 x 9 x 0.8, 6 x 13 x 0.5	440 A	15	17 x 15	... x 10, TT	AKU120/10
 4 / 6 / 10 x 16 x 0.8					

\* Current carrying capacities specified reflect the thermal capacities of the contact points under favourable conditions (with a maximum of conductors that can be connected). They do not, however, invalidate the validity of conductor cross-sections and of current carrying capacities required by any national and international regulations.


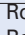

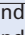
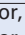


\*\* A reduction of maximum conductor cross-sections might be necessary.

## Brace terminals AK(S)

For connecting round conductors of 95–300 mm<sup>2</sup> and multi-layer copper bars. The gripper-type of termination technology allows to embrace both sides of the busbar and to connect the conductor without drilling.

Suitable conductors <sup>1)</sup>	Current carrying capacity of contact point *	Tightening torque Nm	Terminal space WxH mm	Busbars WxH mm	Type
95–185 mm <sup>2</sup> Cu, Al***  ,  , 	500 A	30	–	20x5 - 30x10 TTT	AKS185
150–300 mm <sup>2</sup> Cu, Al***  ,  , 	600 A	30	–	20x5 - 30x10 TTT	AKS300
95–300 mm <sup>2</sup> Cu, Al***  ,  , 	630 A	40	41x25	30x10 TT	AK300

\*\*\* Connections to aluminium conductors are not maintenance-free

- <sup>1)</sup>
-  Round conductor, single-wired
  -  Round conductor, fine-wired with expertly pressed wire end ferrule
  -  Round conductor, multi-wired
  -  Sector conductor, single-wired
  -  Sector conductor, multi-wired
  -  Cu-Band
  -  Cu-Bar

## Conductor connections

The ratios between conductor cross-sections in mm<sup>2</sup> and AWG/MCM-sizes are listed below:

1.5 mm <sup>2</sup>	16 AWG
2.5 mm <sup>2</sup>	14 AWG
4 mm <sup>2</sup>	12 AWG
6 mm <sup>2</sup>	10 AWG
10 mm <sup>2</sup>	8 AWG
16 mm <sup>2</sup>	6 AWG
25 mm <sup>2</sup>	4 AWG
35 mm <sup>2</sup>	2 AWG
50 mm <sup>2</sup>	0 AWG
70 mm <sup>2</sup>	2/0 AWG
95 mm <sup>2</sup>	3/0 AWG
120 mm <sup>2</sup>	250 MCM
150 mm <sup>2</sup>	300 MCM
185 mm <sup>2</sup>	350 MCM
240 mm <sup>2</sup>	500 MCM
300 mm <sup>2</sup>	600 MCM

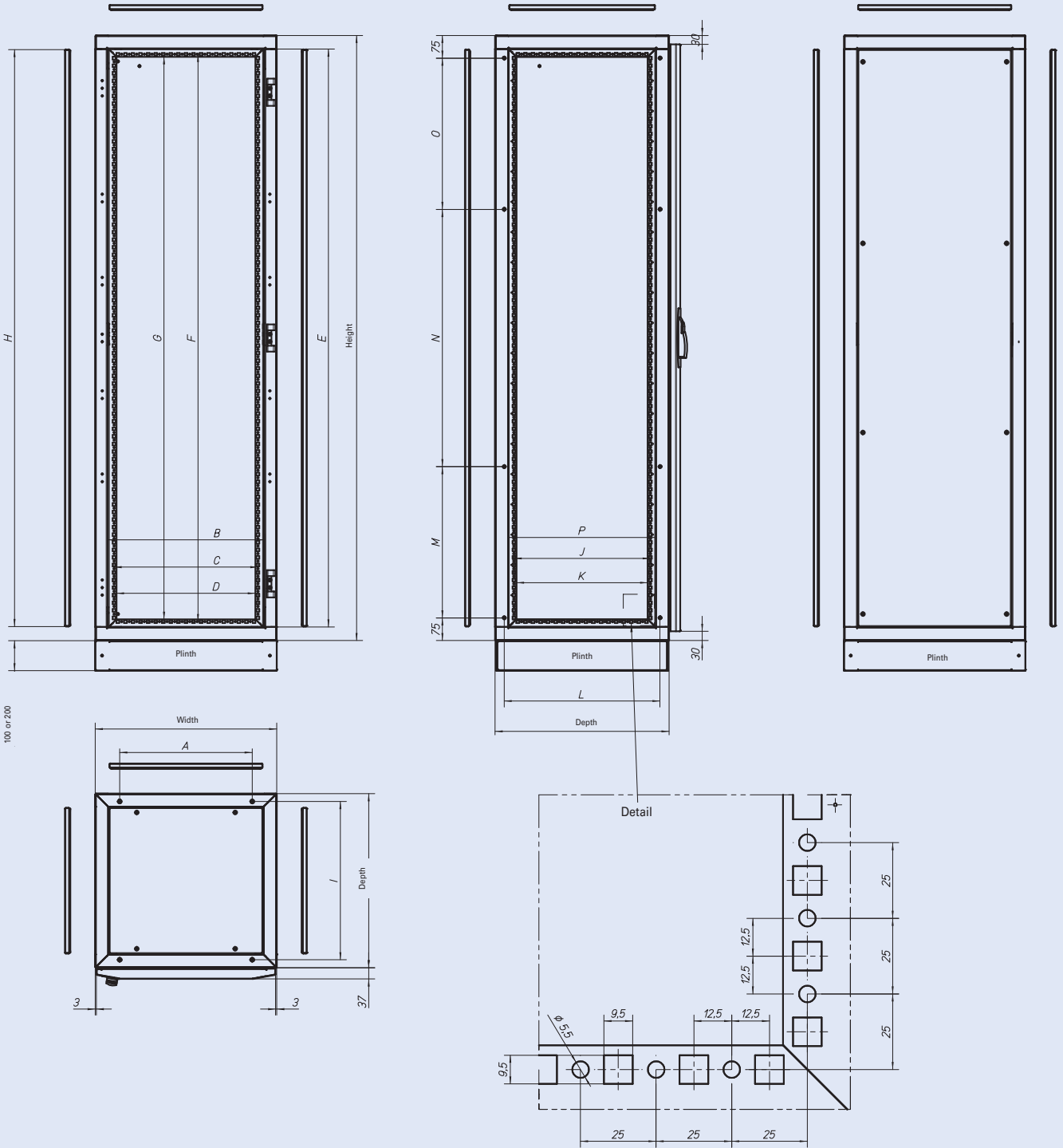
## Stud-type Terminal AKU-M, clip-on

for connection with cable lug on busbar 10 mm, Double-T and Triple-T-Profile

Max. rated operating current	For cable lug	Available length mm	Tightening torque Nm	Type
490 A	M8	8	marked on terminal	AKU-M8/10
630 A	M10	10	marked on terminal	AKU-M10/10

# Add-On Distribution Boards

## xEnergy Light Dimensions (mm)



Width	A	B	C	D
425	263	345	300	284
600	438	520	475	459
800	638	720	675	659
850	688	770	725	709
1000	838	920	875	859
1100	938	1020	975	959
1200	1038	1120	1075	1059
1350	1188	1270	1225	1209

Height	E	F	G	H
1400	1310	1275	1259	1307
1600	1510	1475	1459	1507
1800	1710	1675	1659	1707
2000	1910	1875	1859	1907

Depth <sup>1)</sup>	Depth <sup>2)</sup>	I	J	K	L	P
300	275	223	150	134	215	181
400	375	323	250	234	315	182
500	475	423	350	334	415	382
600	575	523	450	434	515	482
800	775	723	650	634	715	682

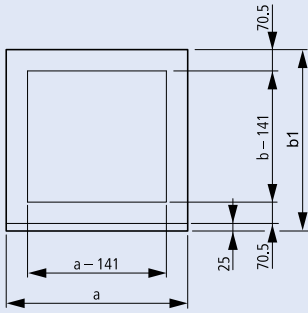
Height	M	N	O
1400	350	550	350
1600	450	550	450
1800	550	500	550
2000	500	850	500

<sup>1)</sup> Depth according Ordering Part  
<sup>2)</sup> Real Depth

Double-wing doors are used as of width 1000.

# Add-On Distribution Boards

## Section bottom clearance, XSFB...

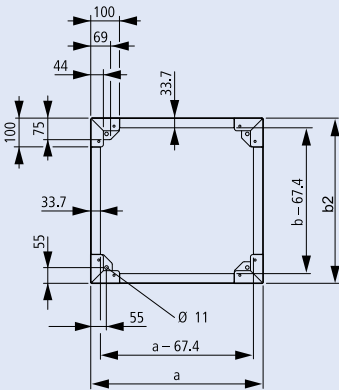


<b>b1</b>	<b>b2</b>
600	575
800	775

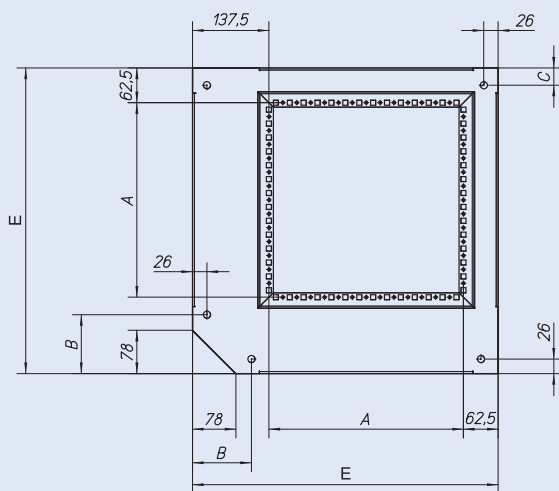
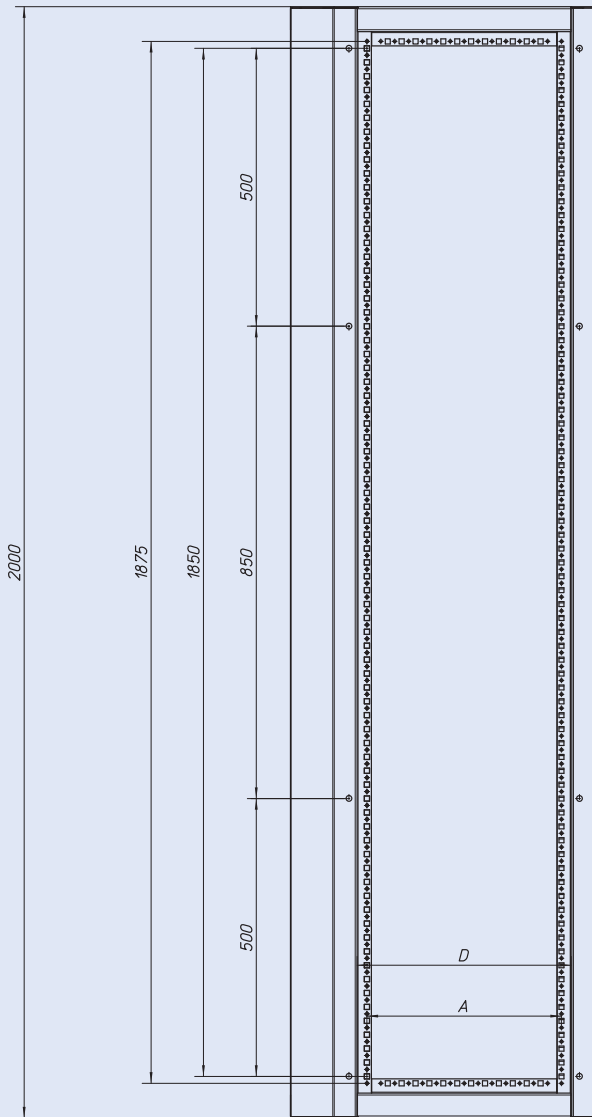
<b>a</b>	
425	
600	
800	
1000	
1200	

## Floor-fixing of plinth, XAP..



# Add-On Distribution Boards

## XVTL-CF-./ Corner Frame

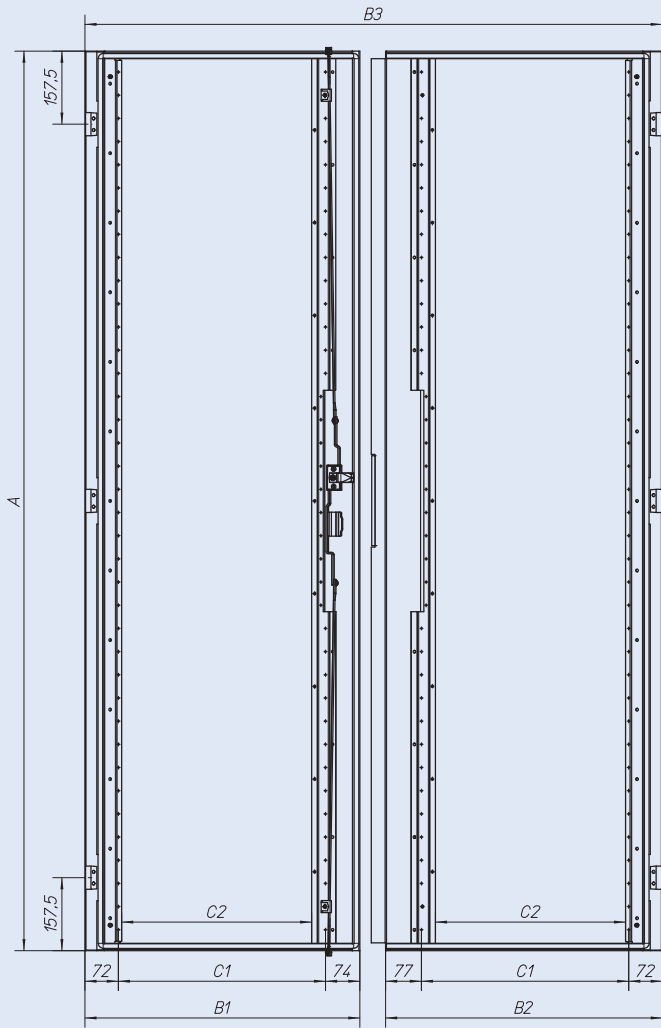


For Depth Side A	for Depth Side B	A	B	C	D	E
<b>400</b>	<b>400</b>	250	106	31	285	450
<b>500</b>	<b>500</b>	350	106	31	385	550
<b>600</b>	<b>600</b>	450	156	81	485	650
<b>800</b>	<b>800</b>	650	156	81	685	850

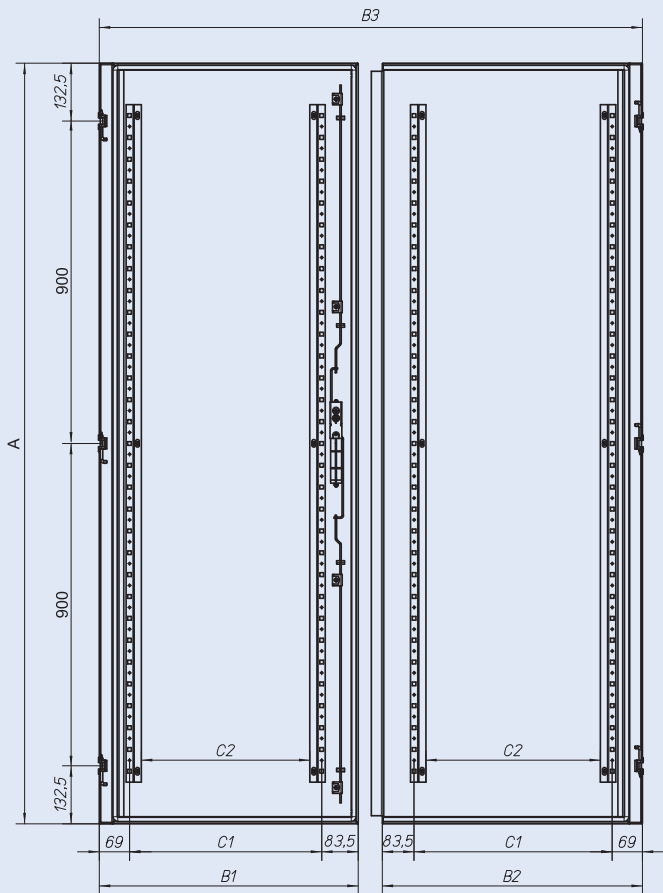


# Add-On Distribution Boards

## XVTL-D Door



## XSDMC Door



Width	B1	B2	B3	C1	C2
<b>425</b>	418	-	-	272	235
<b>600</b>	593	-	-	447	410
<b>800</b>	793	-	-	647	610
<b>850</b>	843	-	-	697	660
<b>1000</b>	493	497	994	347	310
<b>1100</b>	543	547	1094	397	360
<b>1200</b>	593	597	1194	447	410
<b>1350</b>	668	672	1344	522	485

Height	A
<b>1400</b>	1340
<b>1600</b>	1540
<b>1800</b>	1740
<b>2000</b>	1940

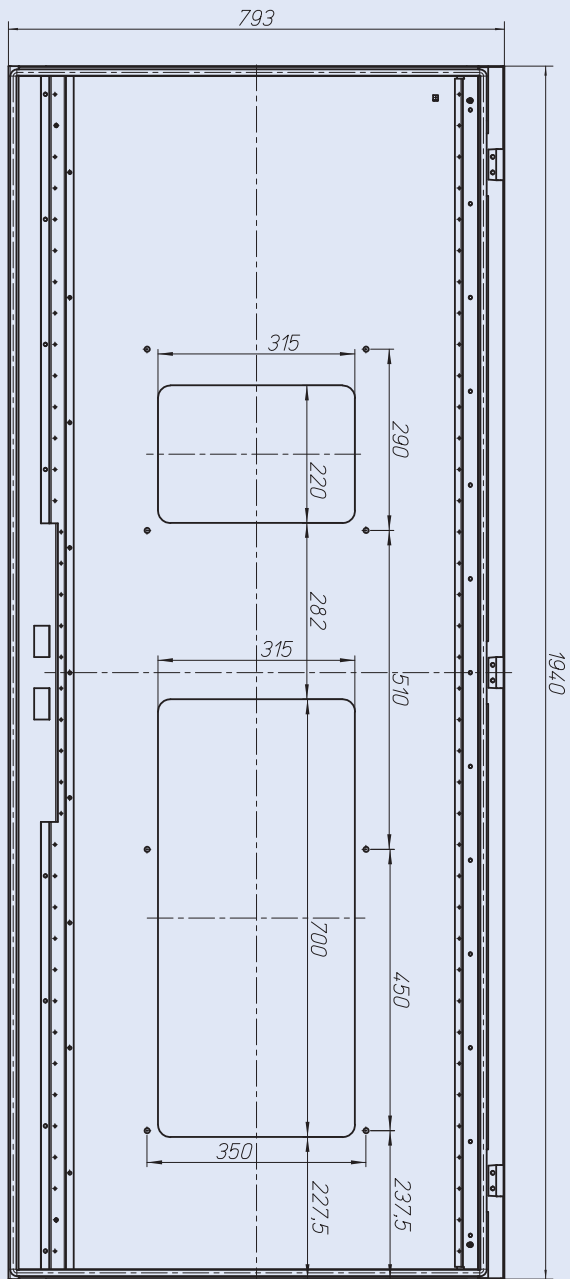
Width	B1	B2	B3	C1	C2
<b>425</b>	417	-	-	264,5	210,5
<b>600</b>	592	-	-	439,5	385,5
<b>800</b>	792	-	-	639,5	585,5
<b>850</b>	842	-	-	689,5	635,5
<b>1000</b>	992	-	-	839,5	785,5
<b>1000</b>	492	495	992	339,5	285,5
<b>1100</b>	542	545	1092	389,5	335,5
<b>1200</b>	592	595	1192	439,5	385,5
<b>1350</b>	667	670	1342	514,5	460,5

Height	A
<b>1400</b>	1340
<b>1600</b>	1540
<b>1800</b>	1740
<b>2000</b>	1940

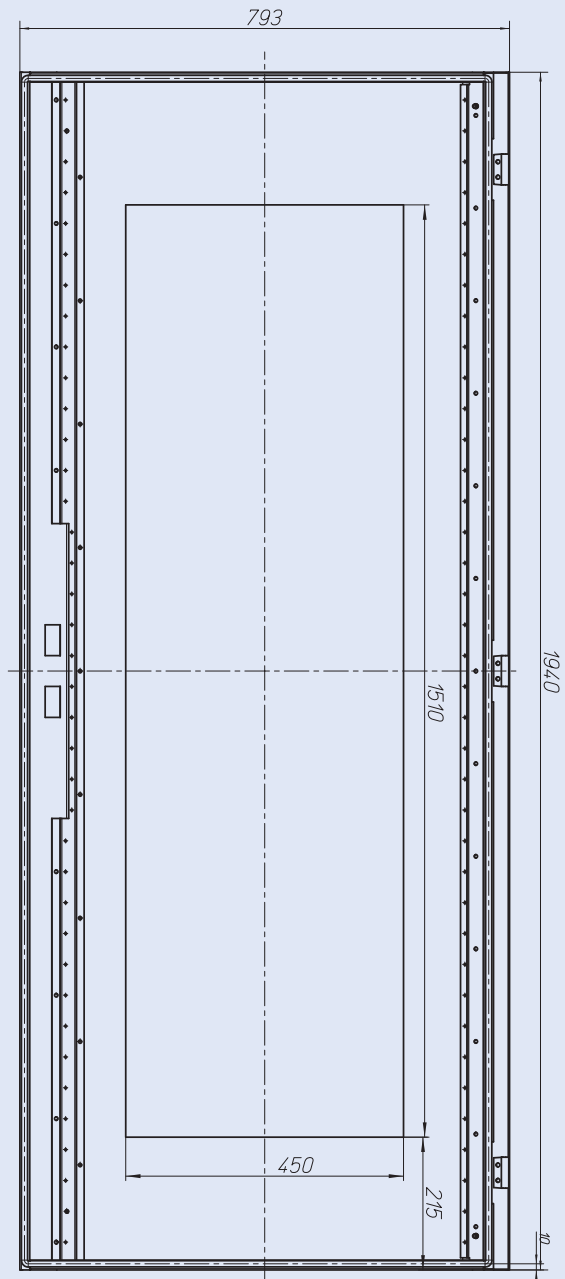
# Add-On Distribution Boards

## Doors with cut-outs prepared for air conditioner

XVTL-D/AC-DTS-8-20



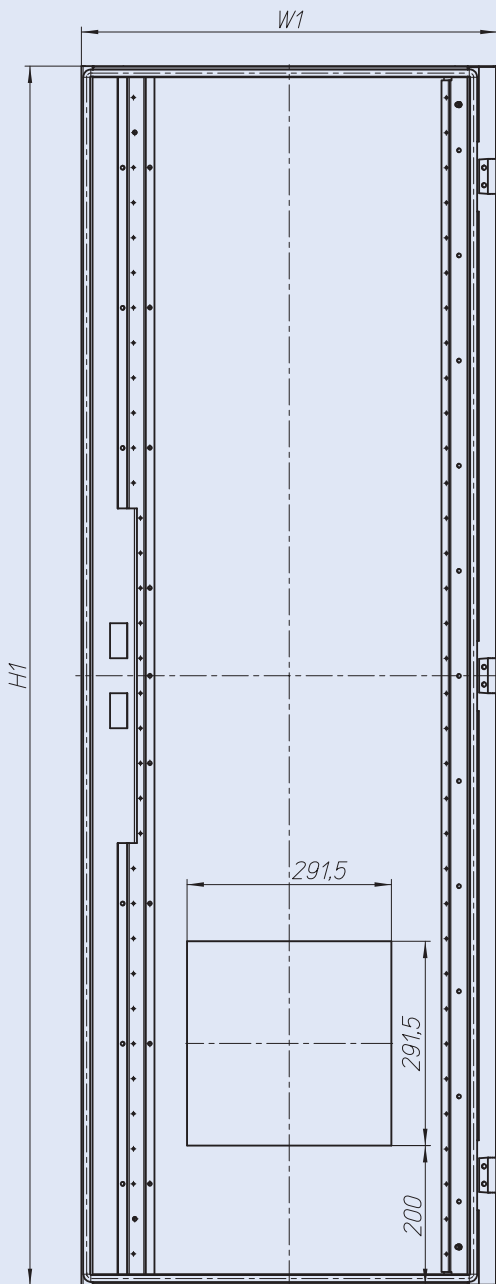
XVTL-D/AC-DTI-8-20



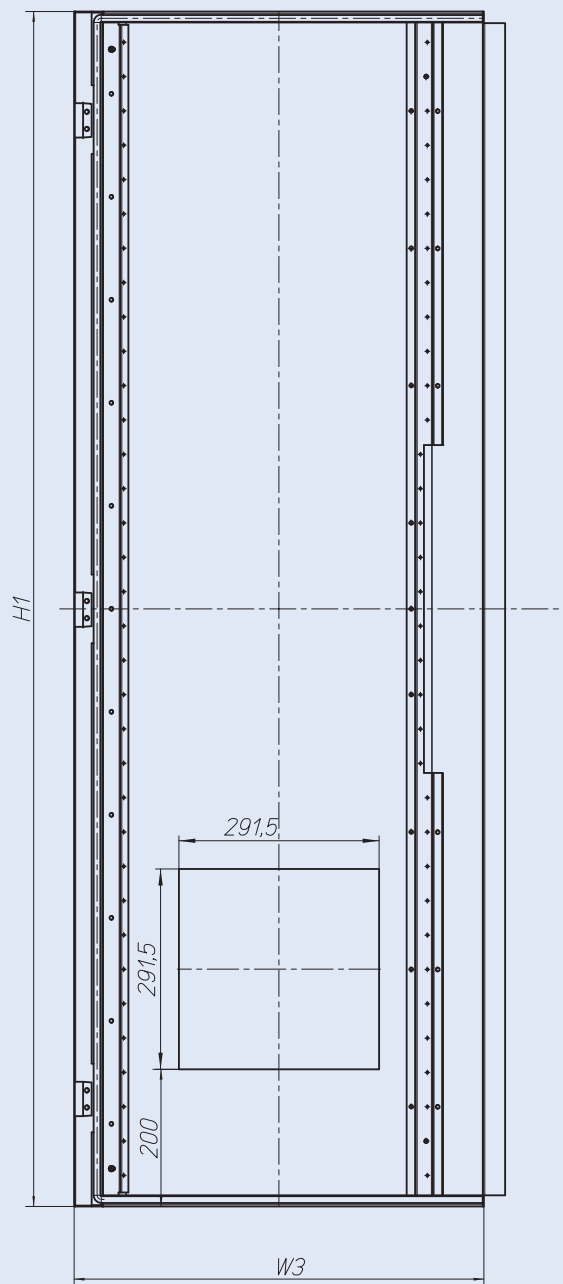
# Add-On Distribution Boards

## Doors with cut-outs prepared for air conditioner

XVTL-D/AC300-...-



XVTL-D/AC300...-...-L



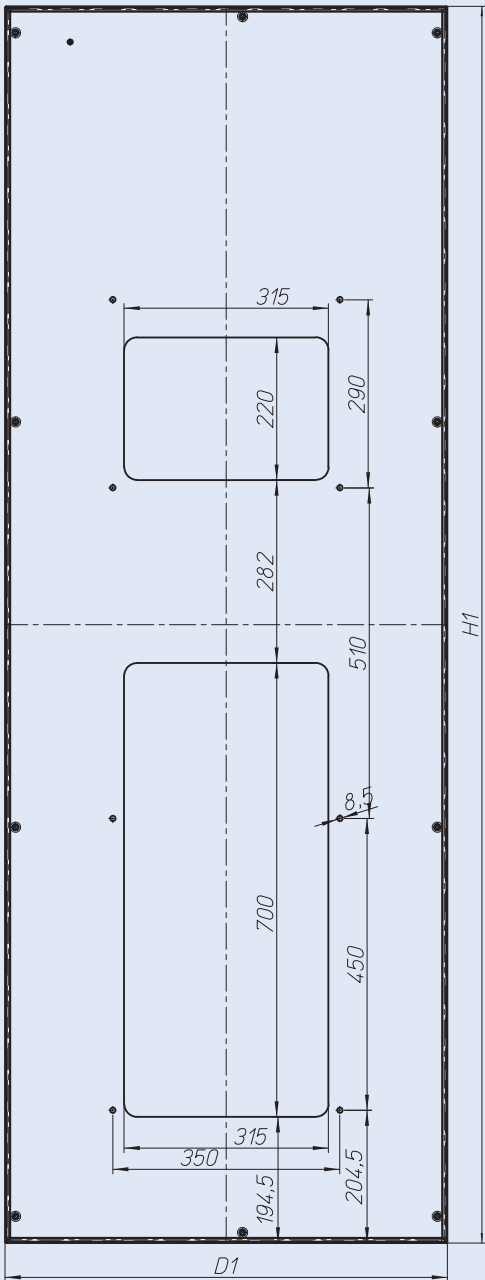
Width	Height	H1	W1
600	1400	1340	593
600	1600	1540	593
600	1800	1740	593
600	2000	1940	593
800	1600	1540	793
800	2000	1740	793

Width	Height	H1	W1
1000	1600	1540	497
1000	1800	1740	497
1000	2000	1940	497
1200	1600	1540	597
1200	1800	1740	597
1200	2000	1940	597

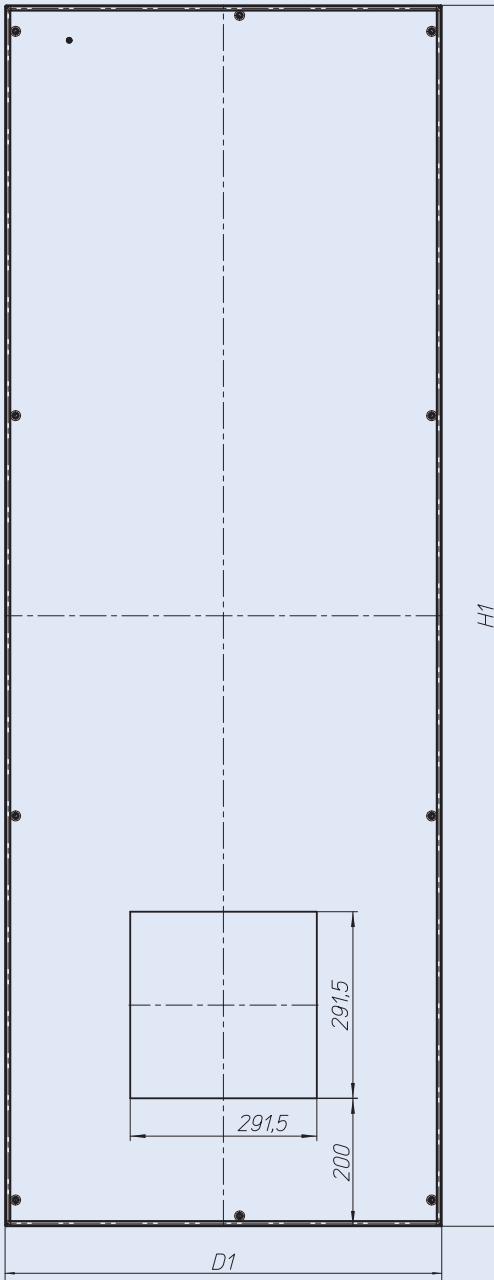
# Add-On Distribution Boards

## Side Panel with cut-outs prepared for air conditioner

XVTL-MP/S/AC-DTS-../..



XVTL-MP/S/AC300-../..



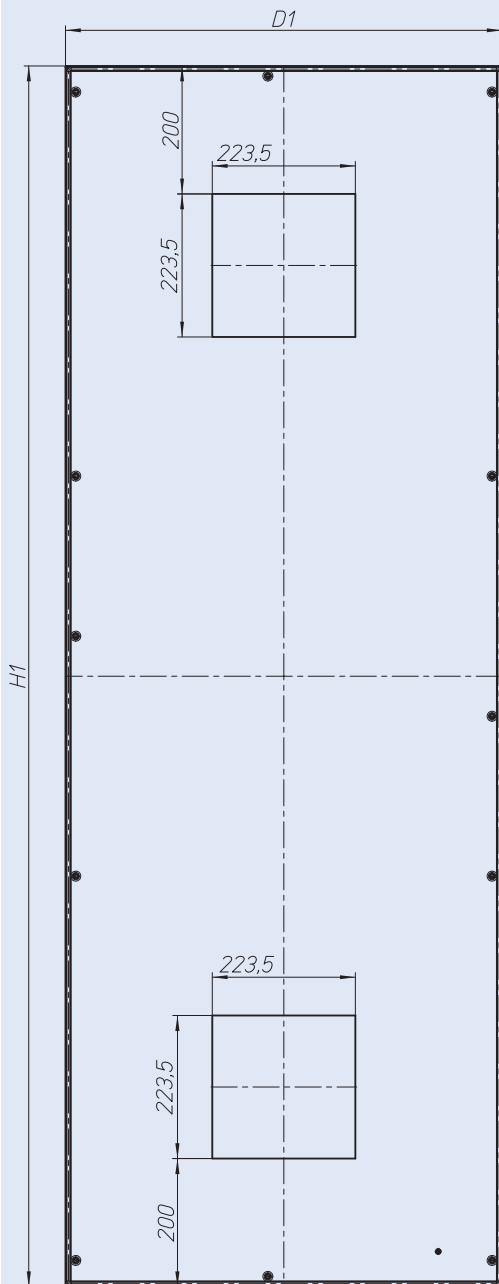
Width	Height	H1	W1
600	2000	1907	482
800	2000	1907	682

Width	Height	H1	W1
600	1600	1507	482
600	1800	1707	482
600	2000	1907	482
800	2000	1907	682

# Add-On Distribution Boards

## Side Panel with cut-outs prepared for air conditioner

XVTL-MP/S/V-../..

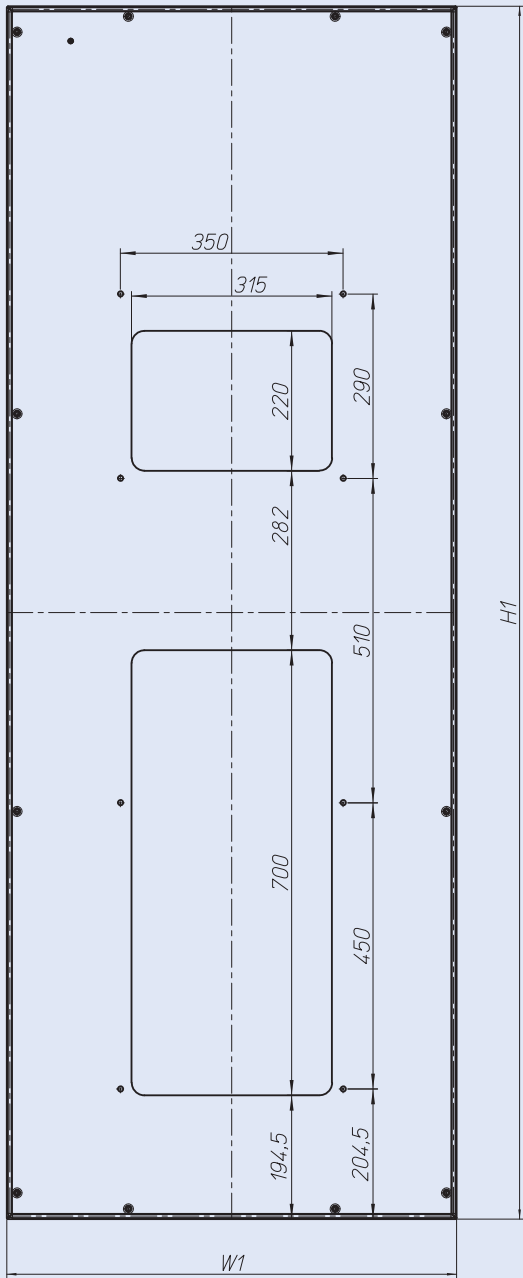


Width	Height	H1	W1
600	1600	1507	482
600	1800	1707	482
600	2000	1907	482
800	2000	1907	682

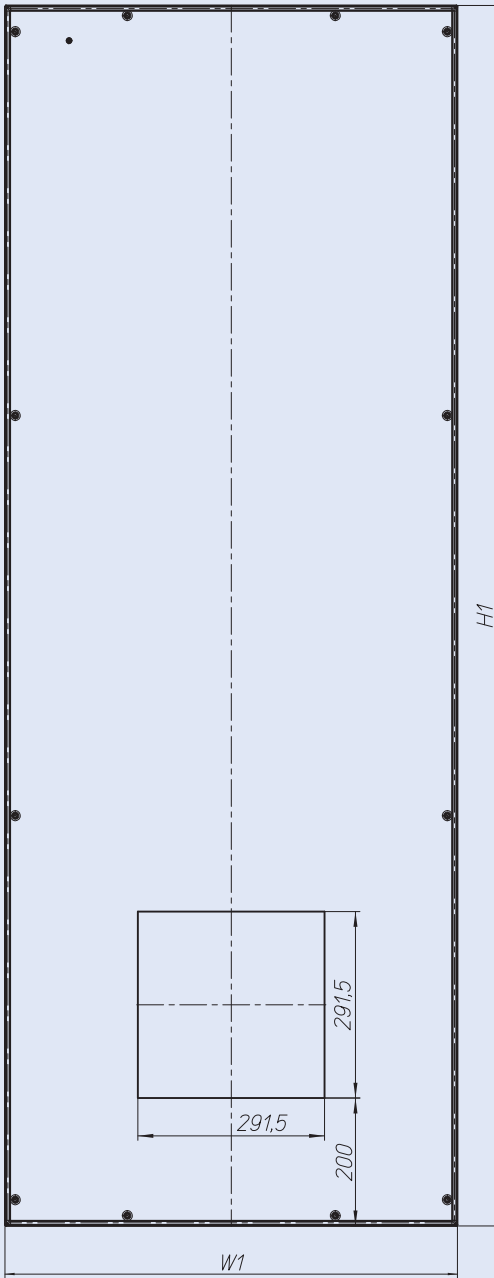
# Add-On Distribution Boards

## Rear Panel with cut-outs prepared for air conditioner

XVTL-MP/R/AC-DTS-../..



XVTL-MP/R/AC300-../..



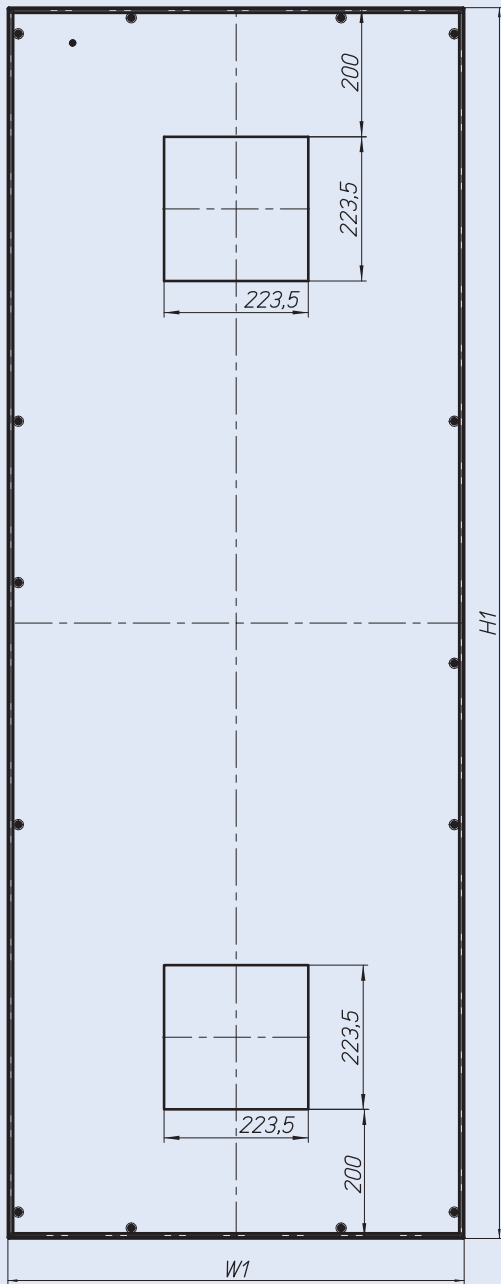
Width	Height	H1	W1
600	2000	1907	507
800	2000	1907	707
1000	2000	1907	907
1200	2000	1907	1107

Width	Height	H1	W1
600	1400	1307	507
600	1600	1507	507
600	1800	1707	507
600	2000	1907	507
800	1600	1507	707
800	1800	1707	707
800	2000	1907	707
1000	1600	1507	907
1000	1800	1707	907
1000	2000	1907	907
1200	1600	1507	1107
1200	1800	1707	1107
1200	2000	1907	1107

# Add-On Distribution Boards

## Rear Panel with cut-outs prepared for air conditioner

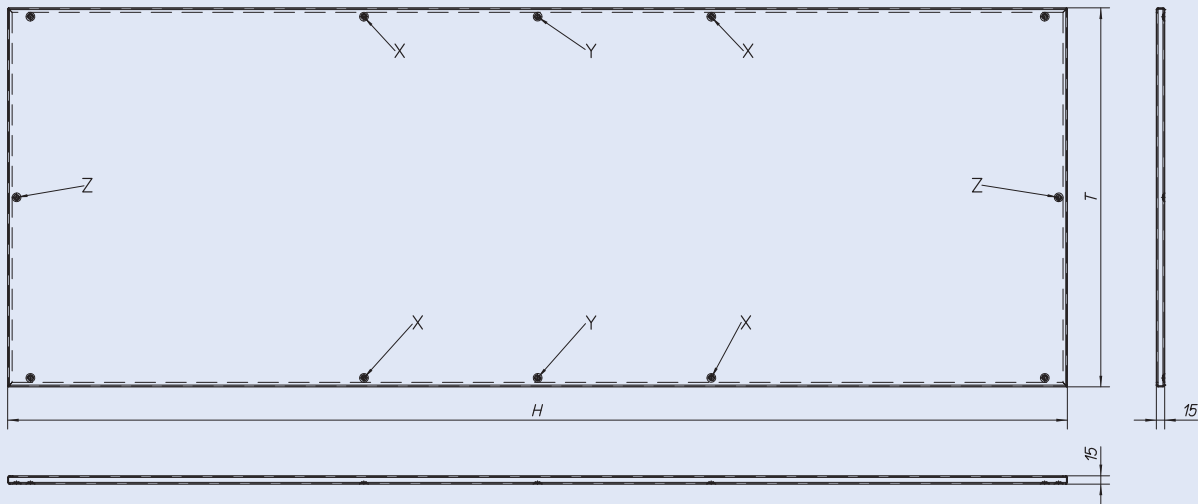
XVTL-MP/R/V-../..



Width	Height	H1	W1
600	1400	1307	507
600	1600	1507	507
600	1800	1707	507
600	2000	1907	507
800	1600	1507	707
800	1800	1707	707
800	2000	1907	707
1000	1600	1507	907
1000	1800	1707	907
1000	2000	1907	907
1200	1600	1507	1107
1200	1800	1707	1107
1200	2000	1907	1107

# Add-On Distribution Boards

## XVTL-PV Separation Panel (galvanised)



Depth (mm)	Height (mm)	H (mm)	with	T (mm)
300	2000	1907	X	182
400			X	282
500			X	382
600			X	482
800			X, Z	682
300	1800	1707	X	182
400			X	282
500			X	382
600			X	482
800			X, Z	682
300	1600	1507	X	182
400			X	282
500			X	382
600			X	482
800			X, Z	682
300	1400	1307	Y	182
400			Y	282
500			Y	382
600			Y	482
800			Y, Z	682



# Add-On Distribution Boards

## XVTL-MP/T/EF, XSPTF Top/Bottom Cover



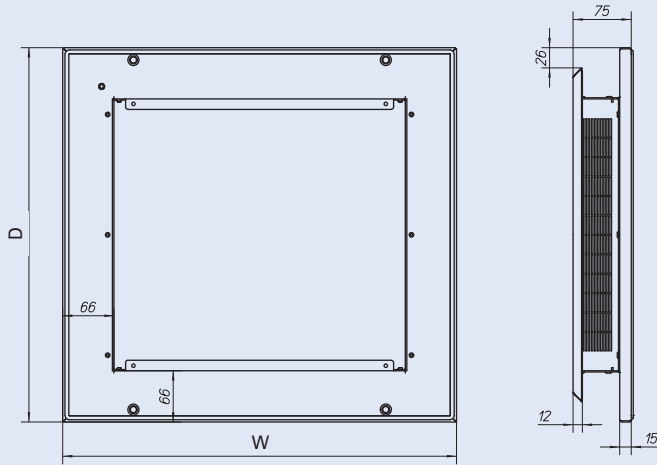
# Add-On Distribution Boards

## XSPBM Top/Bottom Cover (split)

XSPBM..03 (Depth 300 mm)	XSPBM..04 (Depth 400 mm)	XSPBM..05 (Depth 500 mm)	XSPBM..06 (Depth 600 mm)	XSPBM..08 (Depth 800 mm)	
					1350 mm
					1200 mm
					1100 mm
					1000 mm
					850 mm
					800 mm
					600 mm
					425 mm

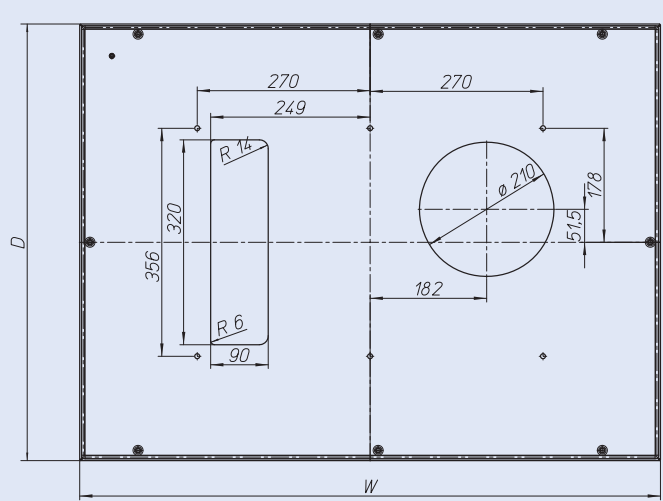
# Add-On Distribution Boards

## XAD Top Cover



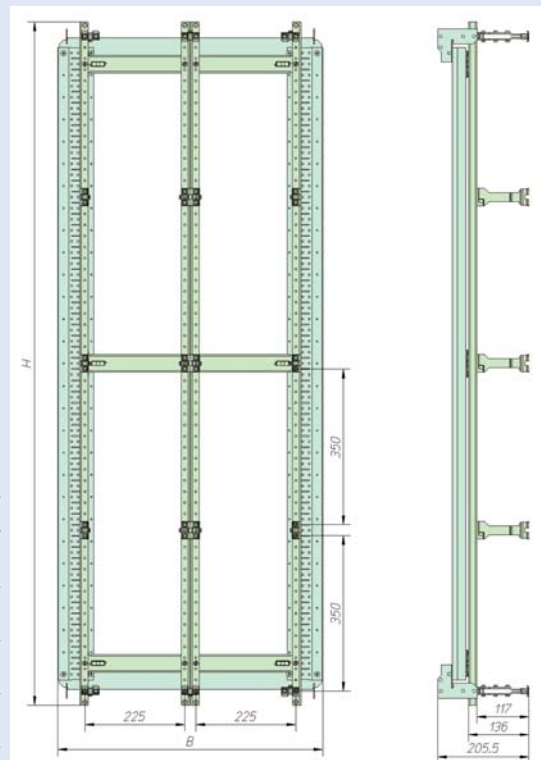
Depth	Width	W	D
400	400	332	282
400	600	507	282
400	800	707	282
400	850	757	282
400	1000	907	282
400	1100	1007	282
400	1200	1107	282
400	1350	1257	282
500	400	332	382
500	600	507	382
500	800	707	382
500	850	757	382
500	1000	907	382
500	1100	1007	382
500	1200	1107	382
500	1350	1257	382
600	400	332	482
600	600	507	482
600	800	707	482
600	850	757	482
600	1000	907	482
600	1100	1007	482
600	1200	1107	482
600	1350	1257	482
800	400	332	682
800	600	507	682
800	800	707	682
800	850	757	682
800	1000	907	682
800	1100	1007	682
800	1200	1107	682
800	1350	1257	682

## XVTL-MP/T/AC../ Top Cover with cut-outs prepared for air conditioners



Depth	Width	W	D
600	800	707	482
600	1000	907	482
600	1200	1107	482
800	800	707	682
800	1000	907	682
800	1200	1107	682

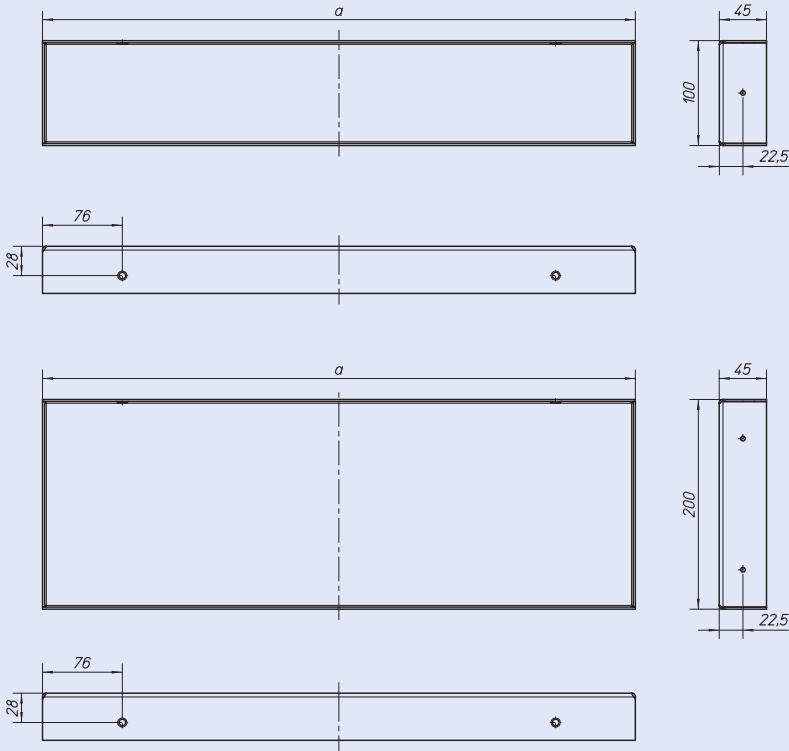
## Support Rack XVTL-TG for XVTL...-IVS



Type	B	H
XVTL-TG-400/16/4-IVS	397	1540
XVTL-TG-400/20/4-IVS	397	1870
XVTL-TG-600/16/4-IVS	597	1540
XVTL-TG-600/20/4-IVS	597	1870
XVTL-TG-800/16/4-IVS	797	1540
XVTL-TG-800/20/4-IVS	797	1870
XVTL-TG-1200/16/4-IVS	1197	1540
XVTL-TG-1200/20/4-IVS	1197	1870

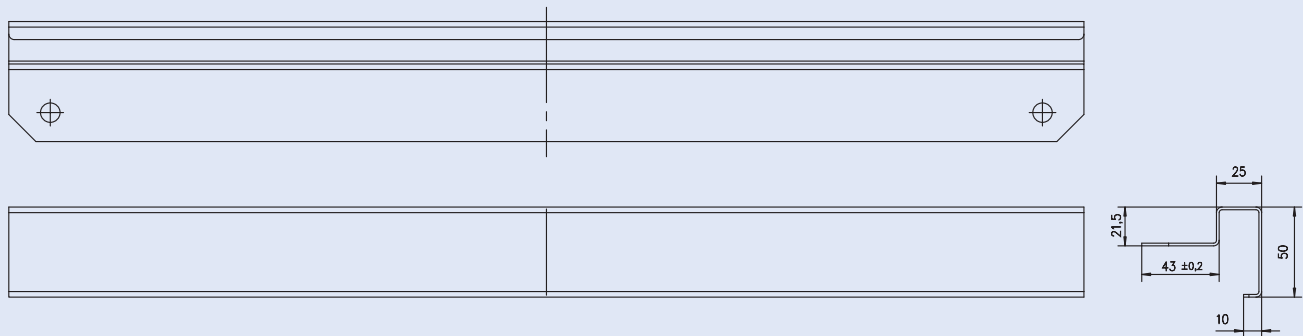
# Add-On Distribution Boards

## XVTL-S0, XVTL.S0../CF Plinth



Depth	A
300	265
400	365
500	465
600	565
800	765

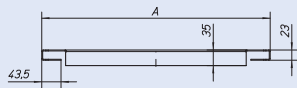
## XSFR Green/Blue Design Strip



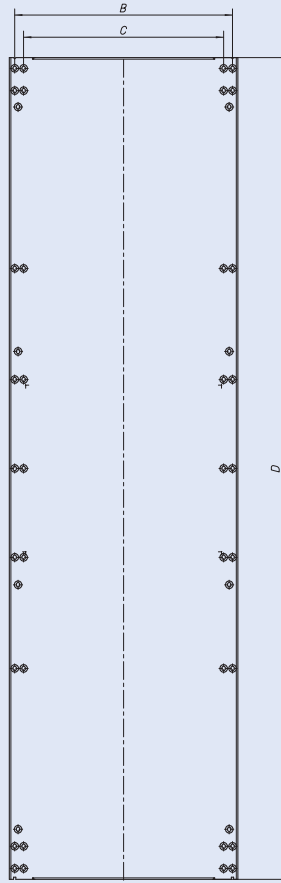
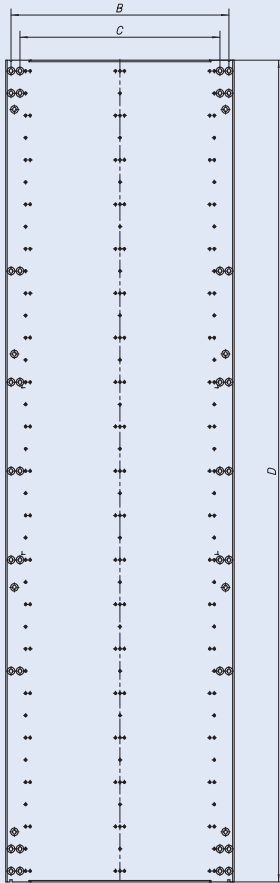
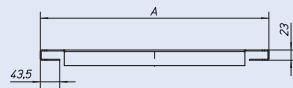
# Add-On Distribution Boards

## XVTL-IC... Mounting Plates

XVTL-IC  
(2 mm sheet steel)



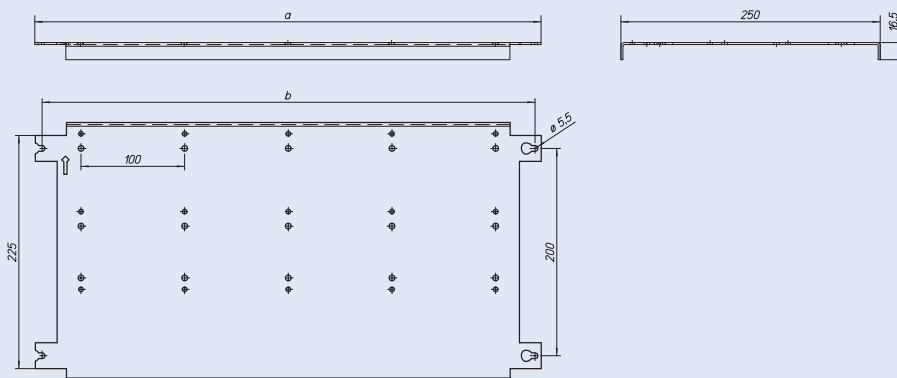
XVTL-IC/S  
(3 mm sheet steel)



Width	A	B	C
<b>425</b>	339	315	275
<b>600</b>	514	490	450
<b>800</b>	714	690	650
<b>1000</b>	914	890	850
<b>1200</b>	1114	1090	1050

Depth	D
<b>1400</b>	1249
<b>1600</b>	1449
<b>1800</b>	1649
<b>2000</b>	1849

## BPZ-MPLSASY Mounting Plate

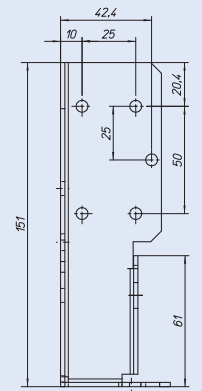


Width	A	B
<b>425</b>	313	300.5
<b>600</b>	488	475.5
<b>800</b>	688	675.5
<b>1000</b>	888	875.5
<b>1200</b>	1088	1075.5

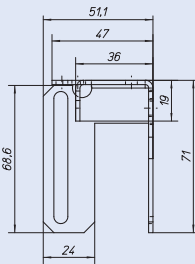
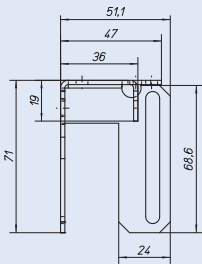
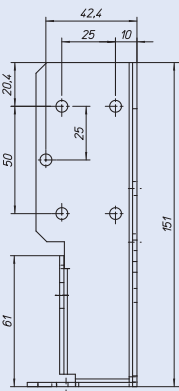
# Add-On Distribution Boards

## XVTL-BRA Brackets

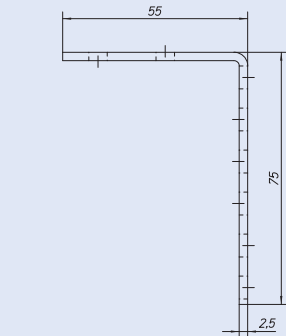
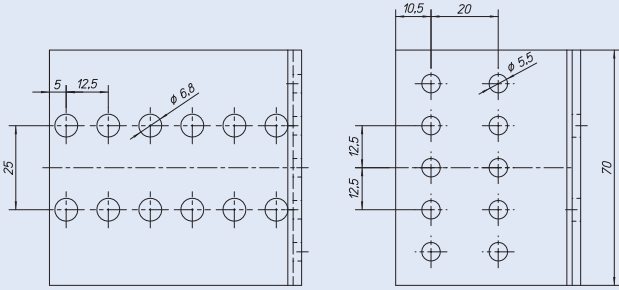
Layout left



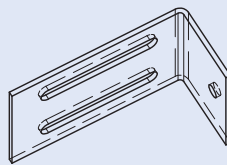
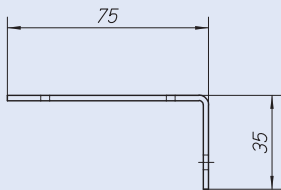
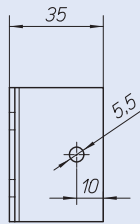
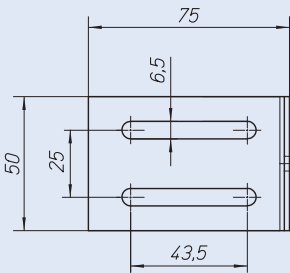
Layout right



## XVTL-BRA/M Brackets

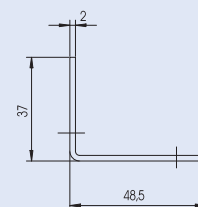
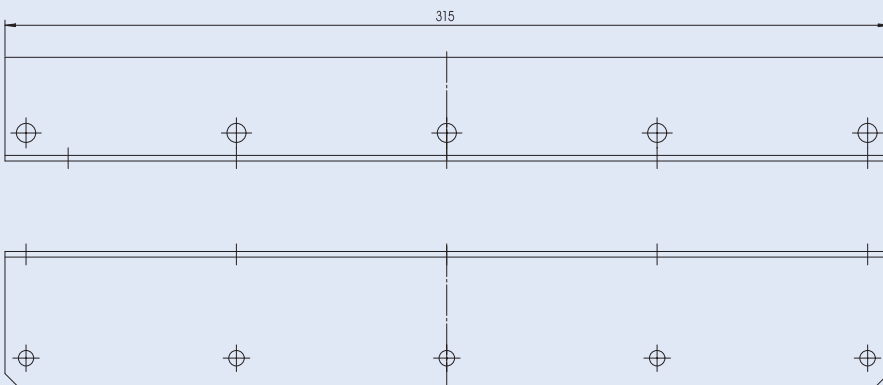


## XVTL-BRA/L Brackets



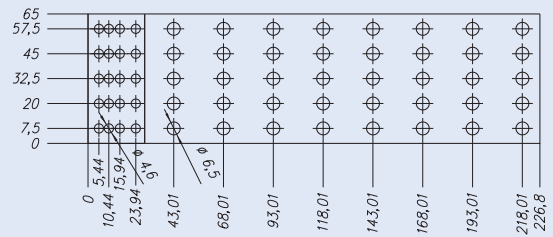
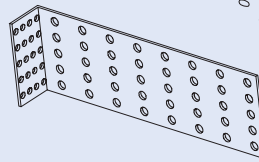
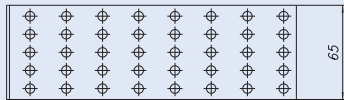
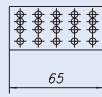
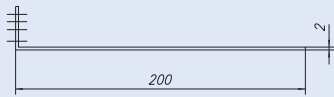
## XVTL-BRA/IC250 Brackets

For direct fixing of SASY 60i supports - when using BPZ-MPLSASY



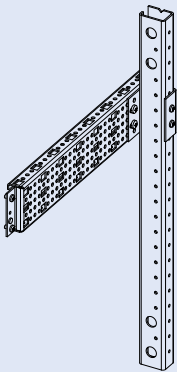
# Add-On Distribution Boards

## XVTL-BRA/DIN Brackets



## XVTL-BRA/VP Angle Bracket for Vertical Profile XVTL-VP

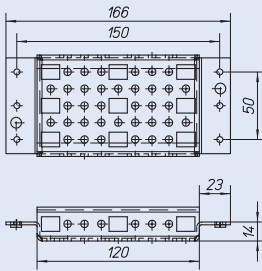
- Application: for mounting the Vertical Profile onto the Horizontal Profile XVTL-HP..



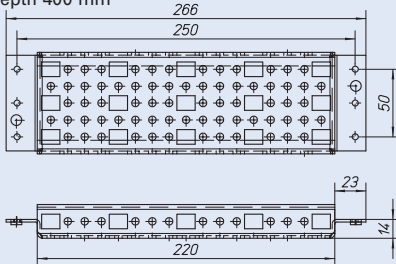
# Add-On Distribution Boards

## XVTL-HP Horizontal Profiles

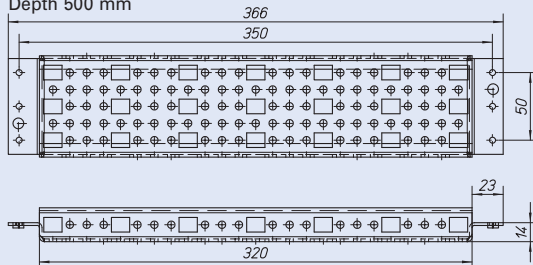
Depth 300 mm



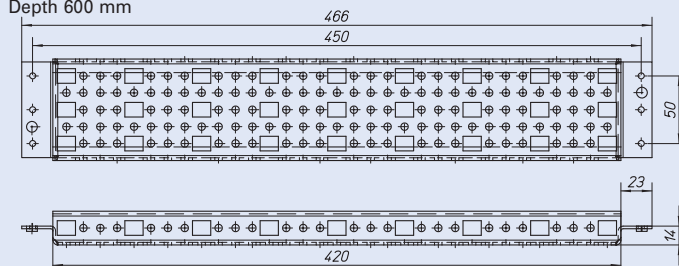
Depth 400 mm



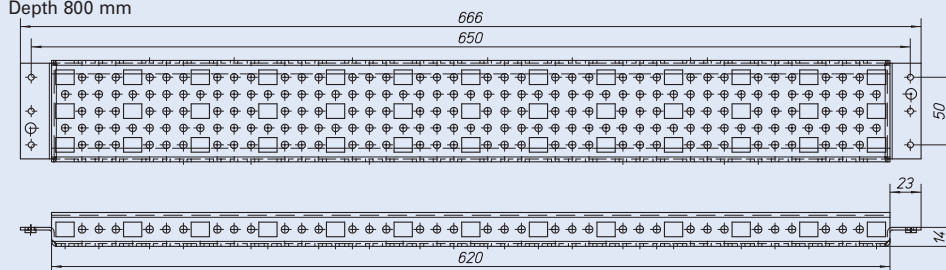
Depth 500 mm



Depth 600 mm



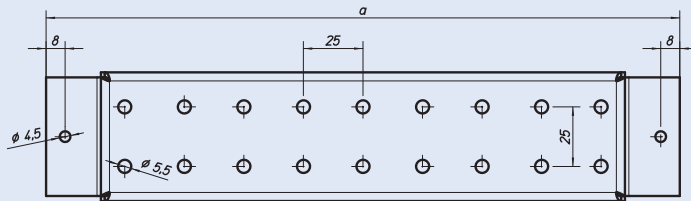
Depth 800 mm





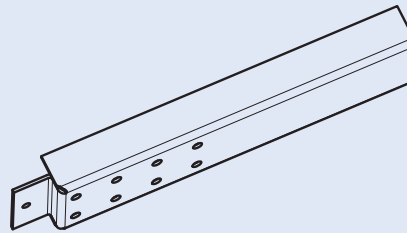
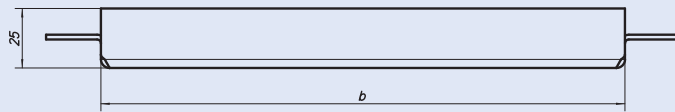
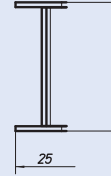
# Add-On Distribution Boards

## XVTL-HP/L Horizontal Profile

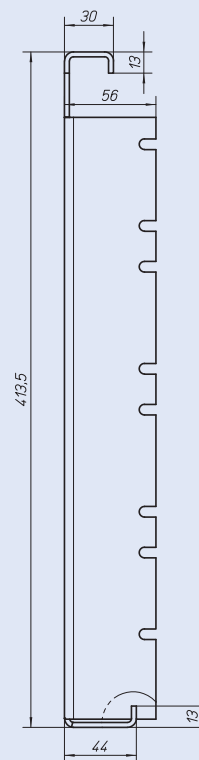
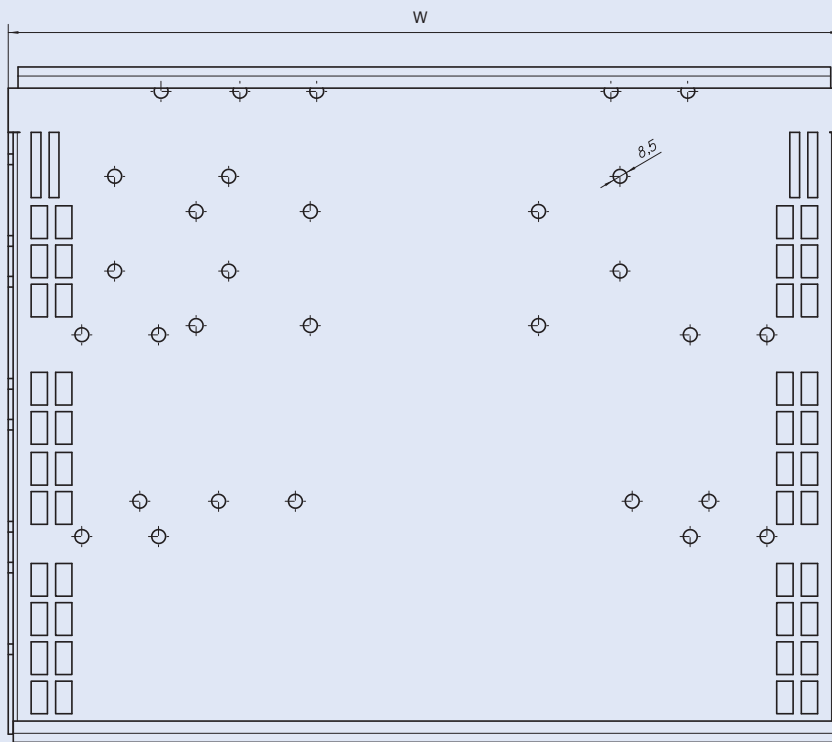


Dimensions (mm)

	a	b
300 mm	165	120
400 mm	265	220
500 mm	365	320
600 mm	465	420
800 mm	665	620



## XVTL-IZM Mounting Plate for IZM

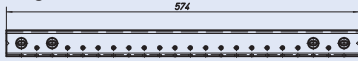


Width	W (mm)
600	510
800	710
1000	910
1200	1110

# Add-On Distribution Boards

## XVTL-VP Vertical Profiles

Height 600 mm



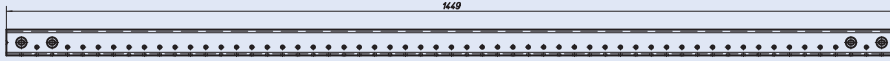
Height 1000 mm



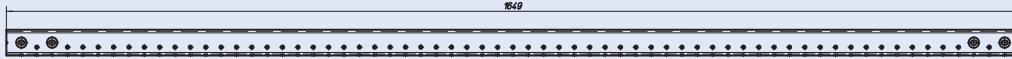
Height 1400 mm



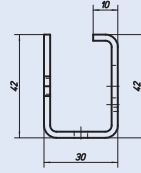
Height 1600 mm



Height 1800 mm



Height 2000 mm

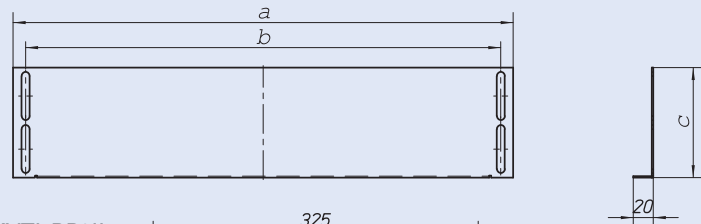


## XSPBA, XVTL-BP Bottom Covers

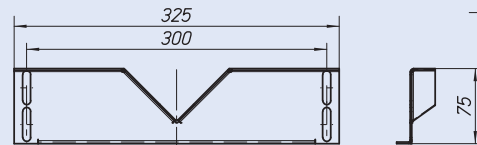
Dimensions (mm)

Width	a	b	c	
			XSPBAC..01	XSPBAC..02
425	325	300	35	110
600	500	475	35	110
800	700	675	35	110
850	750	725	35	110
1000	900	875	35	110
1100	1000	975	35	110
1200	1100	1075	35	110
1350	1250	1225	35	110

XSPBAC..01, XSPBAC..02



XVTL-BP/JL

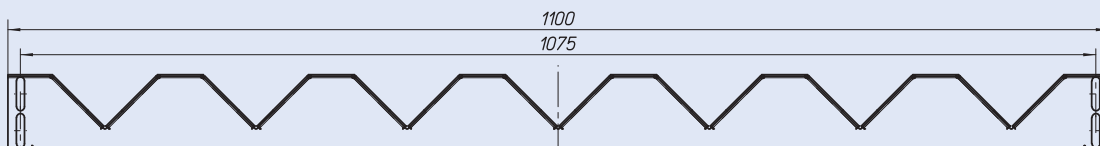
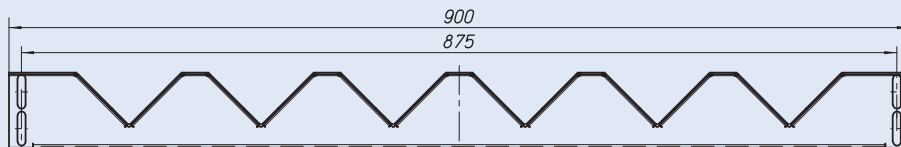
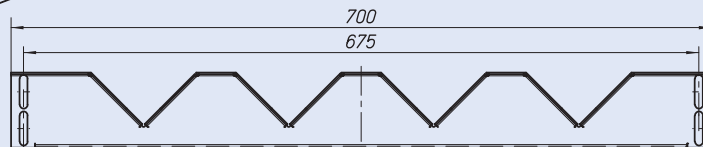
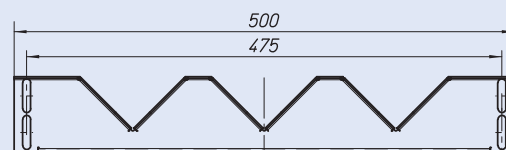


XVTL-BP/JL

XSPBA

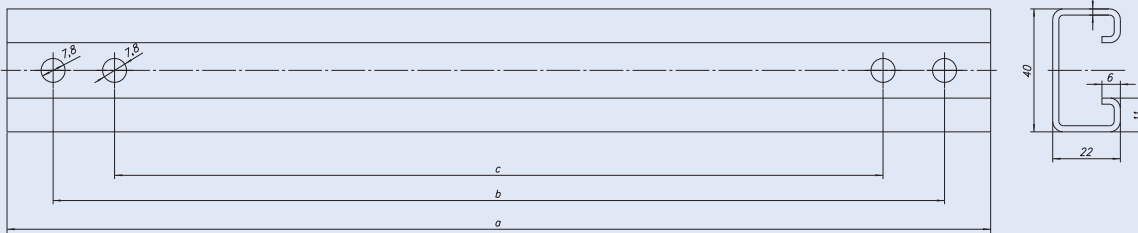
XSPBAC..01

XSPBAC..02



# Add-On Distribution Boards

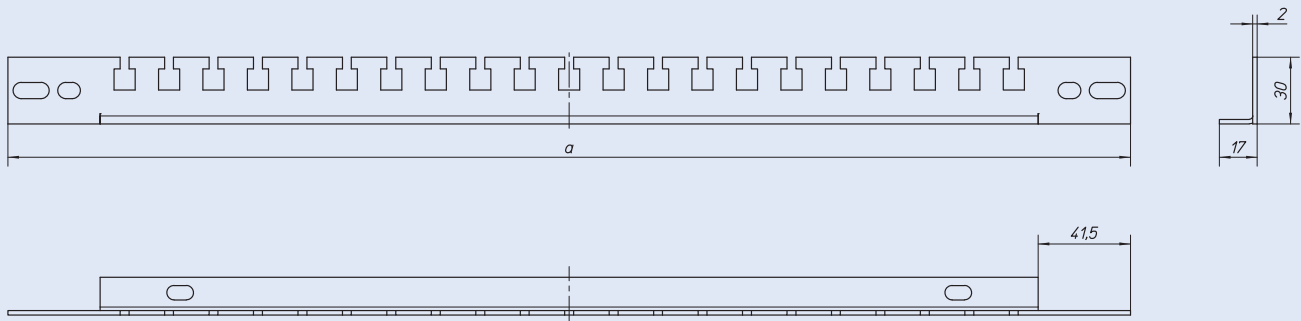
## XAR Cable Strain Relief Rails - C-Profile



Dimensions (mm)

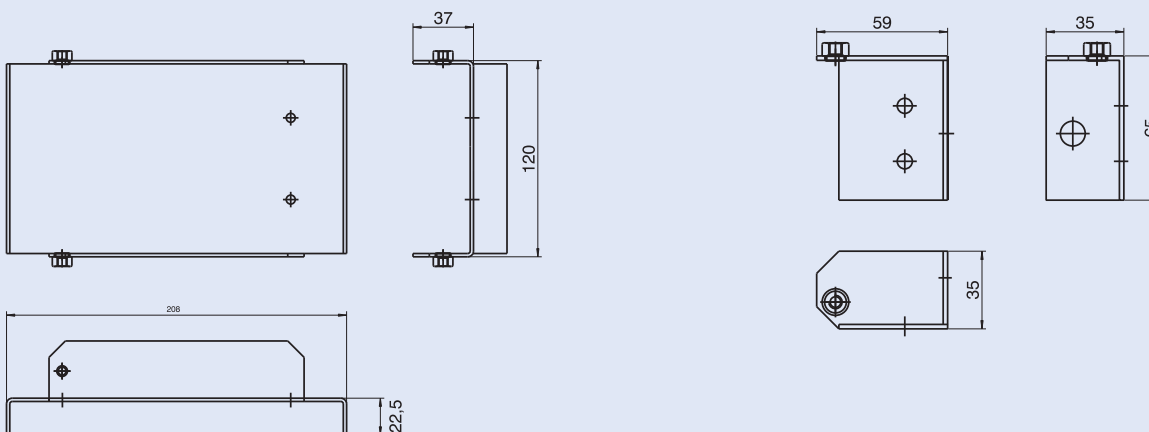
	a	b	c
425	320	290	240
600	520	490	440
800	720	690	640
850	770		
1000	920	890	840
1200	1170	1140	1090

## XVTL-AB Cable Strain Relief Rails - L-profile



Width	a
425	330
600	505
800	705
1000	905
1200	1105

## XVTL-DA Door Arrester Set



# Add-On Distribution Boards

## F3A Insertion Flanges for IP55 Degree of Protection

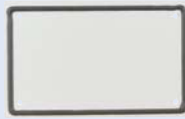
- Purpose: Plastic insertion flange for environments requiring a high degree of protection, can be mounted instead of a blind plate
- Dimensions 330x200 mm

VT17407



**F3A-0**  
Blind flange

VT09208



**F3A-XP**  
Blind flange sheet steel

VT17507



**F3A-4**  
4xM16, 6xM25/16, 8xM32/20

VT17307



**F3A-8**  
2xM20, 8xM25/16, 4xM32/20,  
1xM50/32

VT17607



**F3A-12**  
2xM16, 12xM20, 2xM40/25, 2xM50/32

VT17707



**F3A-34**  
24xM16, 13xM20

VT17807



**F3A-KTD**  
2 grommets for cables  
up to Ø 70 mm

VT17207



**F3A-D**  
Cellular rubber pass-through flange,  
40 cables of Ø 10-13 mm,  
4 cables of Ø 17-21 mm,  
2 cables of Ø 27-30 mm

## Lighting

### LED Cabinet Lamp with Proximity-Sensor and Switch, magnet strip DNW-SIL/LED/IR/S/MG

- Magnetic fixing (tool-free) inside of divers steel-sheet enclosures
- Plastic enclosures: alternative fixing via screws, holes prepared
- Voltage supply: 24 VDC
- Power consumption: 4 W
- Light output: 65 lm/W
- Angle of beam: ca. 120°
- Protection class III
- Integrated proximity-sensor, no door-contact necessary
- On-/Off-Switch
- 12 SMD-LEDs (cool-white) energy-saving
- Dimensions (LxWxH): 430x28x14mm
- Material: aluminum case with transparent plastic cover
- Weight: approx. 0.13 kg
- Scope of delivery: 1 Cabinet Lamp inclusive 2.5m connector cable with plug for LED Converter

### LED Converter for Cabinet Lamp SlimLine LED, DNW-CON/LED/...

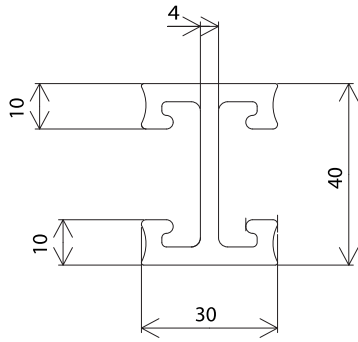
- The LED Converter 15W is able to supply 3 SlimLine LEDs
- Converter 5W for 1 SlimLine LED)
- Fixing via screws possible
- Voltage supply  
primary: 220 - 240 VAC / 50-60 Hz  
secondary: 24 VDC
- Protection class II
- Dimensions (LxWxH) / Weight (kg)  
Adapter: 70x31x16,5mm  
5W Converter: 58x35x21mm / 0.16 kg  
15W Converter: 121x45x20mm / 0.17 kg
- Material: Plastic case
- Scope of delivery: 1 Converter with line connector and adapter for LED Cabinet Lamp SlimLine

### Door Contact NWS-TKT

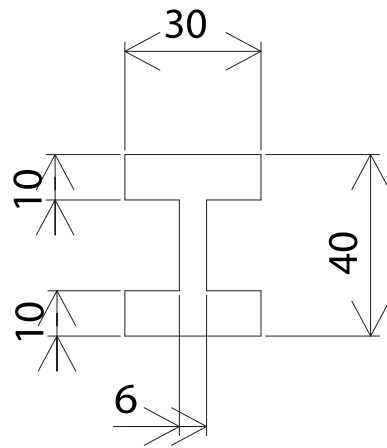
- The door contact serves for switching heating or cooling devices (filter fan) off while the door is open
- For door monitoring
- 1 Break contact and 1 make contact
- Switch specifications: 230 V AC / 6 A
- Degree of protection IP 65
- Assembled version delivered with an angle for door contact mounted into a cabinet
- Dimensions (LxWxH): 76x31x33,5mm
- Material: Plastic
- Scope of delivery: 1 Door contact, 1 connection cord, fixing material

# Add-On Distribution Boards

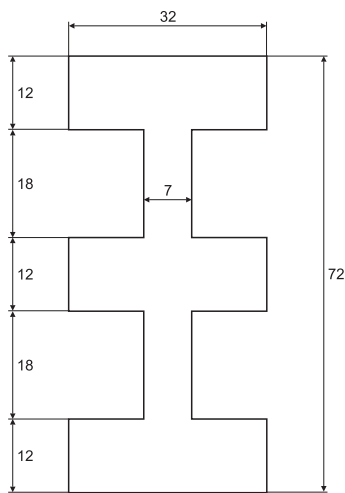
**CU-BAR-500/T**



**CU-BAR-720/T**

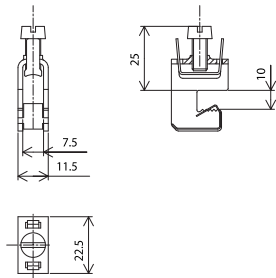


**CU-BAR-1140/T**

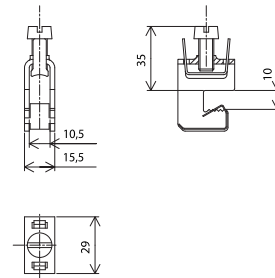


# Add-On Distribution Boards

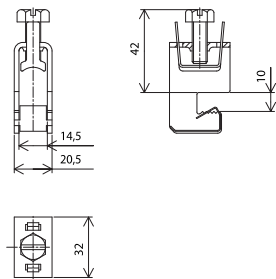
**AKU 16/10**



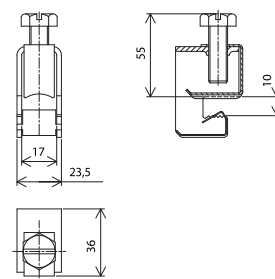
**AKU 35/10**



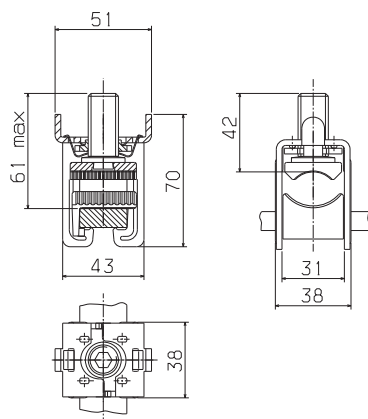
**AKU 70/10**



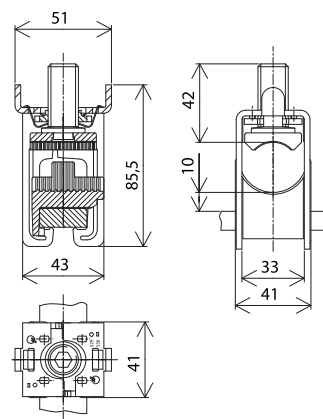
**AKU 120/10**



**AKS185**



**AKS300**





Eaton is a power management company with 2014 sales of \$22.6 billion. Eaton provides energy-efficient solutions that help our customers effectively manage electrical, hydraulic and mechanical power more efficiently, safely and sustainably. Eaton has approximately 100,000 employees and sells products to customers in more than 175 countries.

For more information, visit [www.eaton.com](http://www.eaton.com).

**Eaton Industries Belgium bvba - sprl**

Industrialaan 1  
1702 Groot-Bijgaarden

Tel.: +32 (0)2 719 88 00  
Fax: +32 (0)2 719 88 01  
[electricalbelux@eaton.com](mailto:electricalbelux@eaton.com)  
[www.eaton.be](http://www.eaton.be)

**Eaton Industries (Netherlands) B.V.**

Ambacht 6  
5301 KW Zaltbommel  
Postbus 2022  
5300 CA Zaltbommel

Tel.: +31 (0)418 57 02 00  
Fax: +31 (0)418 51 52 84  
[electricalnl@eaton.com](mailto:electricalnl@eaton.com)  
[www.eaton.nl/electrical](http://www.eaton.nl/electrical)

© 2016 Eaton Corporation  
All rights reserved

No responsibility is taken for misprints or  
errata.

Publication number CA003002EN  
April 2016



*Powering Business Worldwide*