

Instructions

Drawing: APT0.507.007.3

Before installing the device, please read the instructions.

Summary

Main application

TL-70 Series tower Lamps is widely used in all kinds of control circuits, e.g.mechanism, electric power, chemical industry, ship,railway, metallurgy. It serves as a alert signal, operation indication and remote control.

General product information:

TL-70 □ □ □ □ □ □ / □ □ □
① ② ③ ④ ⑤ ⑥ ⑦ ⑧ ⑨ ⑩

- ① Tower lamp type
- ② Specification code : 0 - Combined tower lamp (unmarked)、1 - Single lamp、
2 - Single lamp、3 - Combined tower lamp
- ③ Enclosure forms (only for TL-703) : A - Vertical grating)、B - Cross grating
- ④ Light source : L - LED、B - bulb、S - xenon lamp
- ⑤ Glowing forms : L - Permanent、F - flashing or blinking、S - rotating
- ⑥ Sound source : B - buzzer、M - music
- ⑦ Sound forms : I - intermittent、C - continuous
- ⑧ Color: r - red、g -green、y-yellow、b-blue、w -white、k-black(color of acoustic element)
- ⑨ Voltage class: 22 (AC/DC12V)、23 (AC/DC24V)、18 (AC/DC75V)、26 (AC/DC110V)
31 (AC220V)
- ⑩ Auxiliary code

Installation caution

- 1) We need to check whether the type meet selection requirement.
- 2) We must turn off power before installation and recondition.
- 3) Choose the correct operational voltage
- 4) Avoid chemicals to touch product.

Table1

voltage (V)	type		LED Permanent	LED flashing	LED rotating	xenon lamp blinking	buzzer
	voltage (V)	current (mA)					
AC/DC12	55-60	50-58	45-52	/	28-32		
AC/DC24	40-45	36-45	26-32	140-200	20-32		
AC/DC75	13-19	18-24	22-26	/	26-30		
AC/DC110	13-19	18-24	22-26	36-42	26-30		
AC220	12-18	28-32	28-32	5-8	28-32		

Technical feature

Parameters

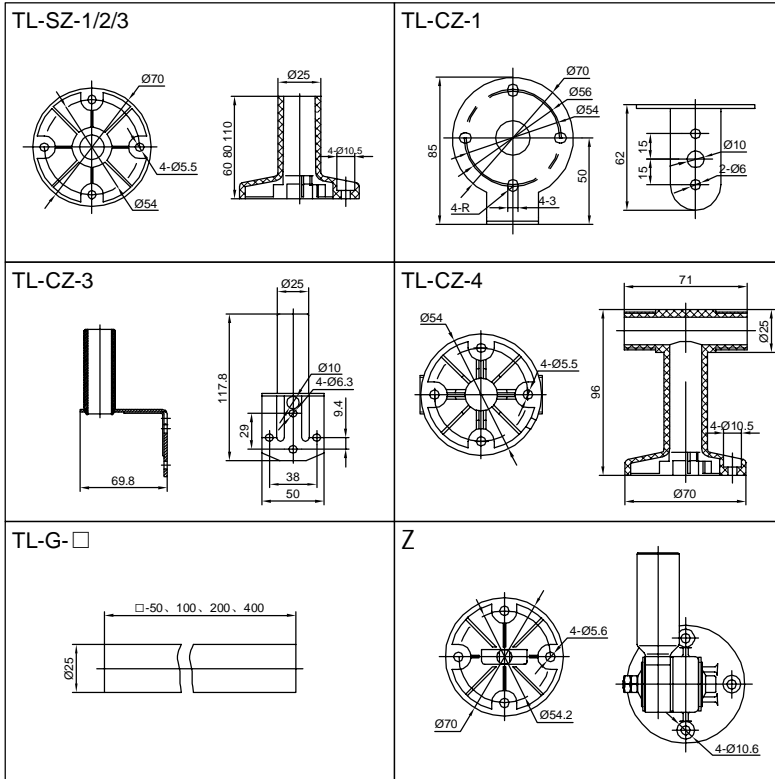
- 1) Rated insulation voltage (Ui) : 690V
- 2) Power frequency withstand voltage : AC1890V, 50Hz, 5s
- 3) Rated voltage/ rated current : Table 1

Operation condition

- 1) Environment temperature : -5 °C ~ +40 °C
- 2) Altitude : ≤2000 meters
- 3) Pollution class : III
- 4) Degree of protection : IP65
- 5) Relative air humidity : ≤98%

Installation

Mounting type



Wiring diagram

Picture 1

Appearance dimension

Picture 2

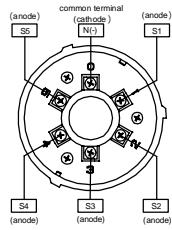
Lamp, wire holder, cover cap assembly

Picture 3

Wire holder and base assembly

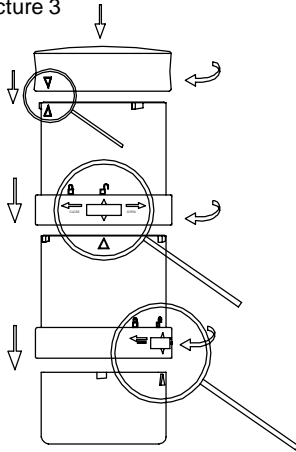
Picture 4

Picture 1

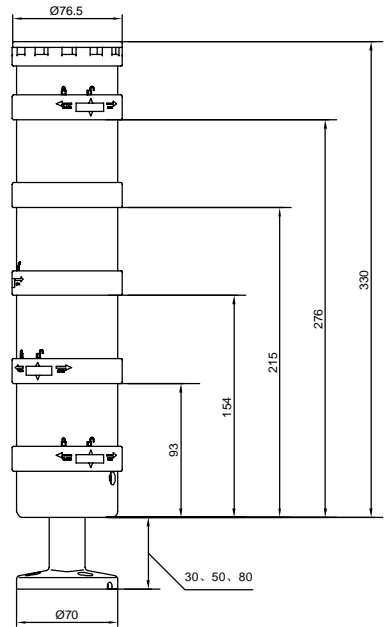


※ Cathode of common terminal, other anodes terminal wiring must be though S1-S5

Picture 3



Picture 2



Picture 4

